

PART NAME: KNOB      SCALE: 1:1      DATE: 3/20/98      DR. BY: TD  
 THIS DRAWING IS THE PROPERTY OF DAVIES MOLDING COMPANY, IS SUBMITTED SOLELY AS A DESIGN OR ENGINEERING PROJECT.  
 WE ACCEPT NO RESPONSIBILITY WHATSOEVER FOR THE PRACTICAL APPLICATION OF THE PIECES MADE TO THIS DESIGN.

DAVIES MOLDING COMPANY  
 CAROL STREAM, ILLINOIS 60188

P/N 1900-H  
 BASE PART 1900-03  
 SET SCREW I0511  
 BRAND TF-0811

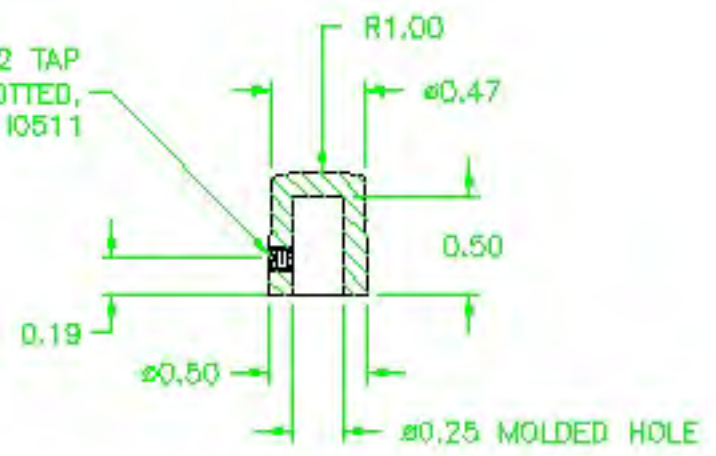
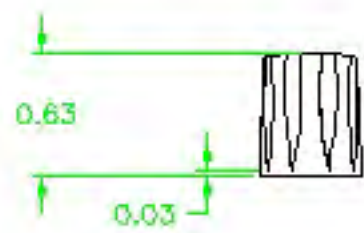
3/32 WIDE x 1/32 DEEP  
 (8) SERRATIONS EQ. SPACED



BRAND T & F-811 AS SHOWN  
 180° FROM SET SCREW, IN WHITE

R0.06

USE #36 DRILL (Ø1065), 6-32 TAP  
 6-32 X 1/8, CUP POINT, SLOTTED,  
 SET SCREW, I0511



MATERIAL: G.P. PHENOLIC (B11)  
 COLOR: BLACK

TOLERANCES: UNLESS OTHERWISE SPECIFIED	DO NOT SCALE DRAWING			
DECIMALS: X.XXX ± .005 X.XX ± .015	MM: X.XX ± 0.15MM X.X ± 0.4MM	-	UNLESS/WHY TOLERANCE	EV. 8/12/02
FRACTIONS ± 1/64	ANG. ± 1'	CHANGES		

# Mouser Electronics

Authorized Distributor

Click to View Pricing, Inventory, Delivery & Lifecycle Information:

[Davies Molding:](#)

[1900 \(BLACK UNLINED\)](#) [1900-H WITH INDICATOR LINE](#)