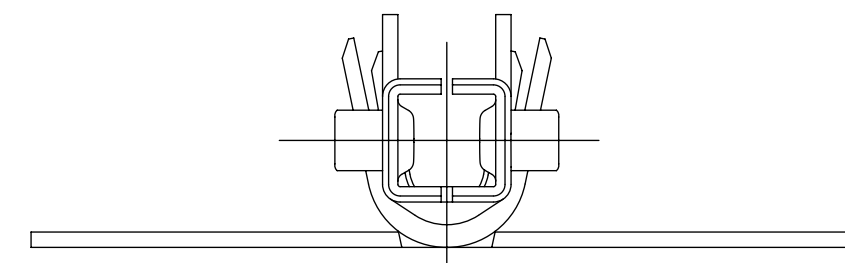


# PART LEGEND

202988 - \* \* \* \*

- SERIES
- FORM
  - 1 = CHAIN
  - 2 = LOOSE
- WIRE GAGE (INS OD RANGE)
  - 1 = 16 (Ø1.98-2.55)
  - 2 = 16 (Ø2.55-3.14)
  - 3 = 18-20 (Ø1.42-2.10)
  - 4 = 18-20 (Ø2.10-2.85)
  - 5 = 22-24 (Ø1.07-1.65)
  - 6 = 22-24 (Ø1.65-2.38)
- PART NUMBER
  - 4 = FINISHED GOODS
- PLATING
  - 1 = GOLD (POST PLATE)
  - 2 = TIN OVER NICKEL (POST PLATE)



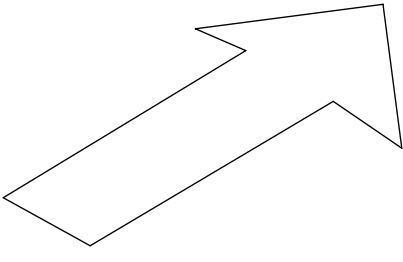
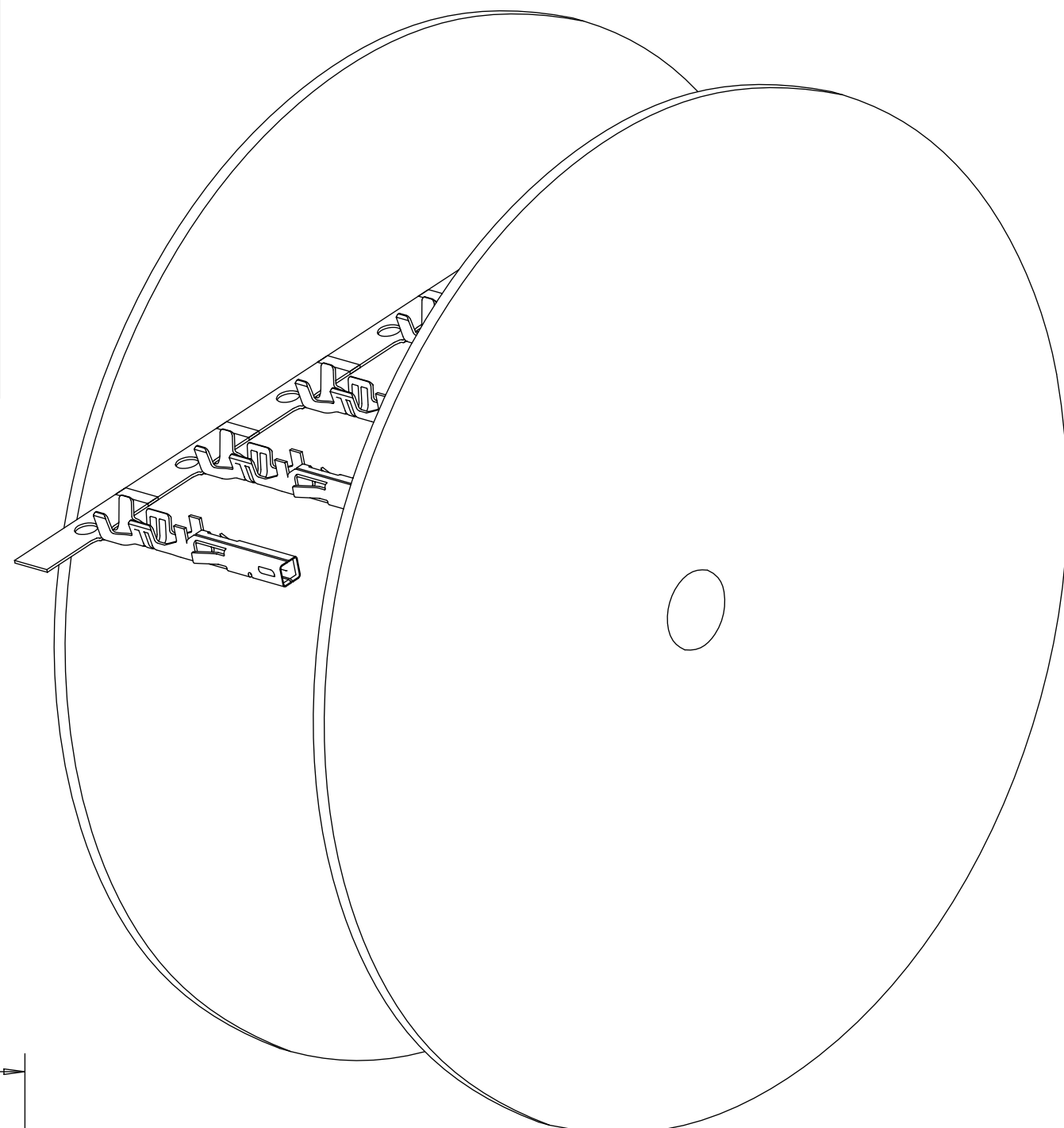
### NOTES:

1. MATERIAL: HIGH CONDUCTIVITY COPPER ALLOY
2. POST PLATED:
  - A) 30 µin/(0.75µm) MIN. SELECT GOLD IN THE CONTACT AREA, 100µin/(2.5µm) MIN. SELECT MATTE TIN IN THE CRIMP AREA OVER 50 µin/1.25 MIN. NICKEL OVERALL.
  - B) 100 µin/(2.50µm) MIN. OVERALL BRIGHT TIN, 50 µin/1.25 MIN. NICKEL OVERALL.
3. PRODUCT SPECIFICATION: 2029880001-PS  
APPLICATION SPECIFICATION: AS-172718-0000
4. THIS TERMINAL TO BE USED WITH HOUSING SERIES 172708, 200453.
5. THIS TERMINAL MATES WITH MALE CRIMP TERMINAL SERIES 203070.
6. THIS TERMINAL MATES WITH HEADER SERIES 5566 & 5569.
7. PACKAGING: REELS TO BE PACKED PER 2029880002-PK  
LOOSE TERMINALS PER 2029880003-PK
8. PART CONFORMS TO CLASS 'B' REQUIREMENTS OF COSMETIC SPEC PS-45499-002.
9. WHEN TERMINALS ARE INSTALLED IN THE HOUSING THE WIRE ARE TO BE DRESSED IN SUCH A MANNER TO ALLOW THE TERMINALS TO FLOAT FREELY IN THE HOUSING POCKET.
10. THIS TERMINALS IS DESIGNED FOR SINGLE WIRE CRIMPING.

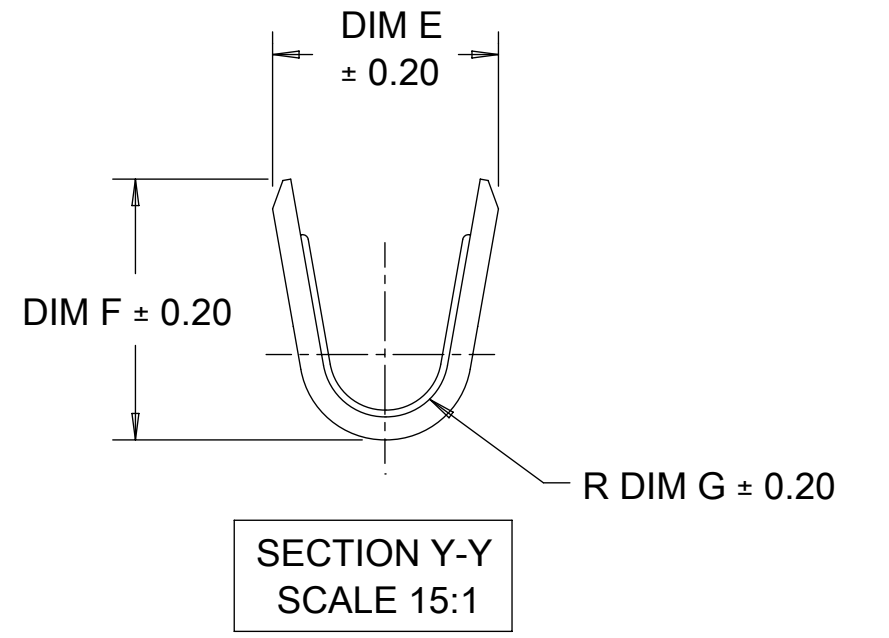
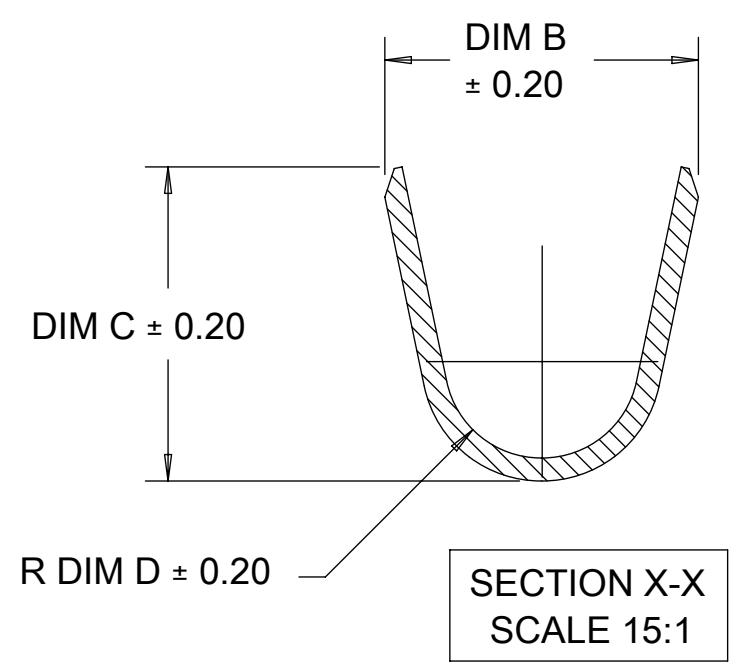
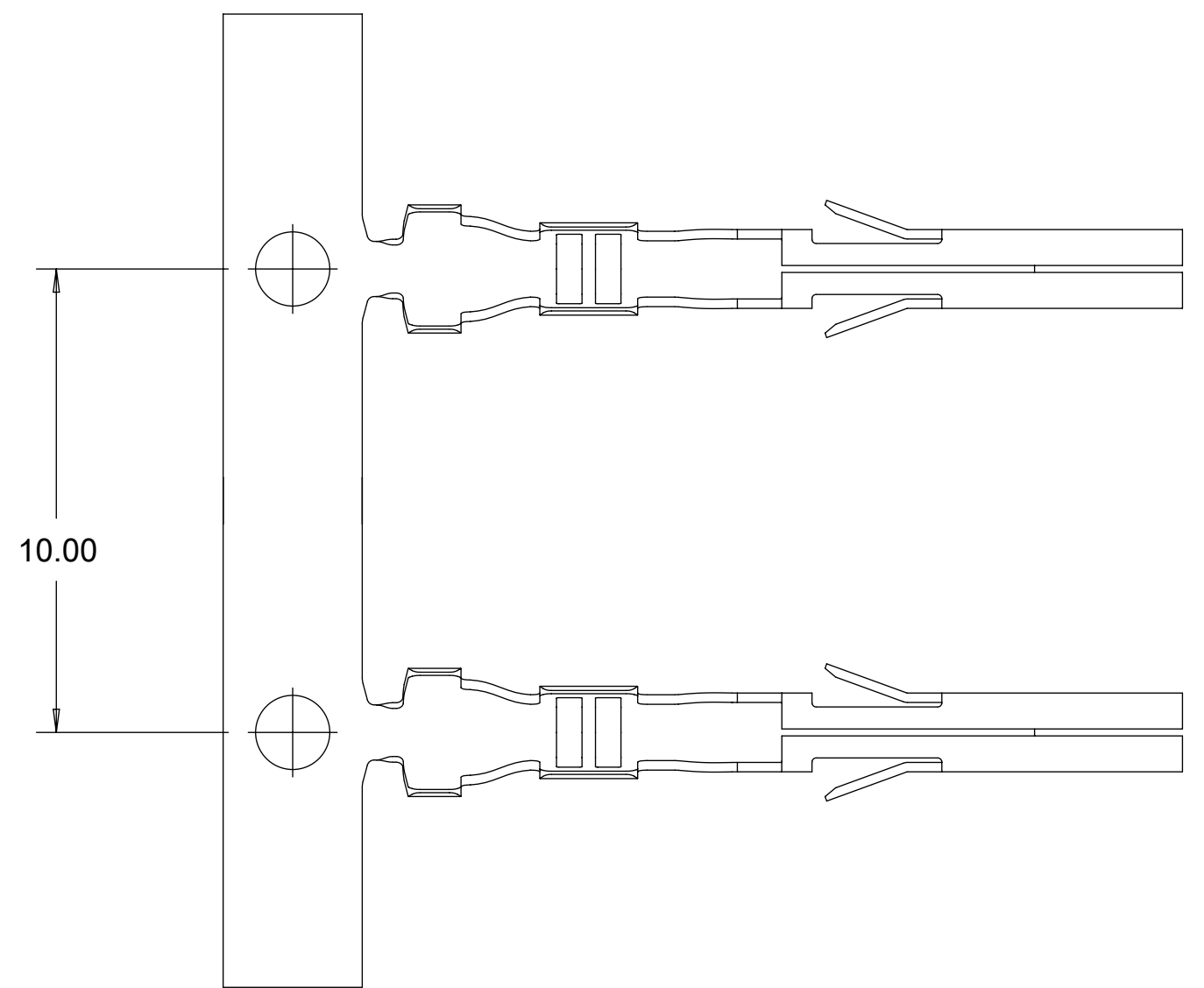
THIS DRAWING CONTAINS INFORMATION THAT IS PROPRIETARY TO MOLEX ELECTRONIC TECHNOLOGIES, LLC AND SHOULD NOT BE USED WITHOUT WRITTEN PERMISSION												
EC NO: 664404 DRWN: SHRUTJ CHKD: KCHIKKANNA REV: APPR: ISHWARG	2021/02/19 2021/05/19 2021/05/20		GENERAL TOLERANCES (UNLESS SPECIFIED)			DIMENSION UNITS: mm		SCALE: 10:1				
	ANGULAR TOL ± °		4 PLACES ±			MRAMAKRISHNA		DATE: 2017/02/17				
	3 PLACES ±		2 PLACES ± 0.2			CHKD BY		DATE		PRODUCT CUSTOMER DRAWING		
	2 PLACES ± 0.2		1 PLACE ± 0.2			APPR BY		DATE				
0 PLACES ±		DRAFT WHERE APPLICABLE MUST REMAIN WITHIN DIMENSIONS			DRAWING SIZE: C		THIRD ANGLE PROJECTION		DOCUMENT NUMBER: 2029880001 DOC TYPE: PSD DOC PART: 000 SHEET NUMBER: 1 OF 2			

FORM	FINISHED GOODS PART NUMBER FOR GOLD PLATING	FINISHED GOODS PART NUMBER FOR TIN PLATING	BASE MATERIAL	WIRE AWG	WIRE OD-RANGE	DIM B	DIM C	DIM D	DIM E	DIM F	DIM G	DIM H	STATUS	
CHAIN	202988-1141	202988-1241	HIGH CONDUCTIVITY COPPER ALLOY	16	1.98-2.55	3.27	3.43	1.00	2.35	2.90	0.70	2.11	RELEASED	
	202988-2141	202988-2241			2.55-3.14	3.74	3.66	1.43				1.91	RELEASED	
	202988-3141	202988-3241		18-20	1.42-2.10	2.77	2.77	0.85	2.00	2.30	0.55	2.11	RELEASED	
	202988-4141	202988-4241			2.10-2.85	3.36	3.37	1.25				2.11	RELEASED	
	202988-5141	202988-5241		22-24	1.07-1.65	2.33	2.27	0.70	1.68	1.65	0.40	2.11	RELEASED	
	202988-6141	202988-6241			1.65-2.38	3.14	3.09	1.00				2.11	RELEASED	
LOOSE	202988-1142	202988-1242		HIGH CONDUCTIVITY COPPER ALLOY	16	1.98-2.55	3.27	3.43	1.00	2.35	2.90	0.70	2.11	RELEASED
	202988-2142	202988-2242				2.55-3.14	3.74	3.66	1.43				1.91	RELEASED
	202988-3142	202988-3242			18-20	1.42-2.10	2.77	2.77	0.85	2.00	2.30	0.55	2.11	RELEASED
	202988-4142	202988-4242				2.10-2.85	3.36	3.37	1.25				2.11	RELEASED
	202988-5142	202988-5242			22-24	1.07-1.65	2.33	2.27	0.70	1.68	1.65	0.40	2.11	RELEASED
	202988-6142	202988-6242				1.65-2.38	3.14	3.09	1.00				2.11	RELEASED

FINISHED GOODS PART NUMBER FOR GOLD PLATING	FINISHED GOODS PART NUMBER FOR TIN PLATING	COMBINATIONS WIRE AWG
202988-4141	202988-4241	22+22 AWG



REELING DIRECTION



THIS DRAWING CONTAINS INFORMATION THAT IS PROPRIETARY TO MOLEX ELECTRONIC TECHNOLOGIES, LLC AND SHOULD NOT BE USED WITHOUT WRITTEN PERMISSION											
EC NO: 664404 DRWN: SHRUTJ CHKD: KCHIKKANNA REV / APPR: ISHWARG	GENERAL TOLERANCES (UNLESS SPECIFIED)		DIMENSION UNITS	SCALE							
	ANGULAR TOL ± °		mm	10:1							
	4 PLACES ±	3 PLACES ±	2 PLACES ± 0.2	1 PLACE ± 0.2							
	DRAWING SIZE		THIRD ANGLE PROJECTION	DRWN BY		DATE	<b>FEMALE CRIMP TERMINAL MINI-FIT TPA 2.0</b>				
	C			MRAMAKRISHNA		2017/02/17					
	DRAFT WHERE APPLICABLE MUST REMAIN WITHIN DIMENSIONS		APPR BY		DATE	<b>PRODUCT CUSTOMER DRAWING</b>					
		ISHWARG		2017/05/15	SERIES	MATERIAL NUMBER	CUSTOMER				
					202988	SEE TABLE	GENERAL MARKET				
				DOCUMENT NUMBER		DOC TYPE		DOC PART	SHEET NUMBER		
				2029880001		PSD		000	2 OF 2		