

REVISION RECORD				
REV	ECN	DESCRIPTION	DRFT	DATE
A		NEW		22.5.30

NOTES1:  
 UL Standard  
 1. Rated voltage/current : 300V / 12A  
 2. Withstanding voltage : AC1600V/1Min.  
 3. Wire range : 28~14AWG

IEC Standard

1.

Pollution degree	2	2	3
Overvoltage category	II	III	III
Rate impulse voltage(KV)	2.5KV	2.5KV	2.5KV
Rate voltage(V)	320V	200V	200V
Rate current(A)	17.5A		

2. Wire range : 0.2~1.5mm<sup>2</sup>

NOTES2:  
 1. Dimension shall be interpreted per ASME Y14.5-2009  
 2. Pitch : 3.50mm, Poles : N=02~24P  
 3. Stripping length : 8~9mm  
 4. Operating temperature: -40°C~+130°C  
 5. Undimensioned tolerances:

Pitch range in mm		Nominal dimension range in mm					0.1/10	
TO	Over	Over	Over	Over	Over			
6	10	10	30	60	100	<		
6	10	24	30	60	100	150		
±0.15	±0.20	±0.30	±0.30	±0.50	±0.70	±1.00	±1.30	±2*

6. RoHS Compliance

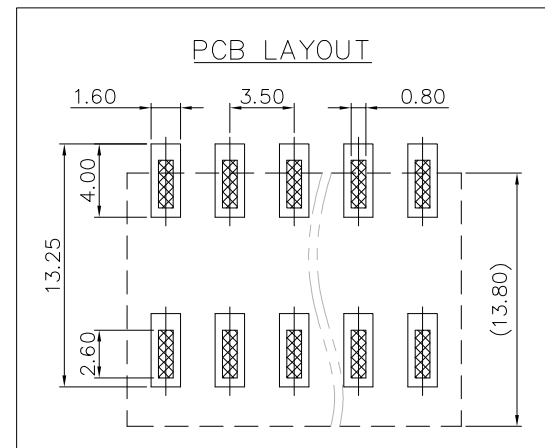
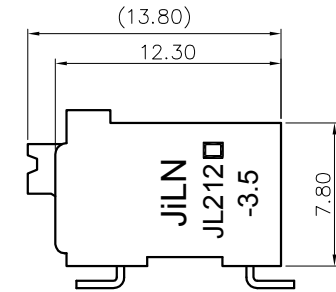
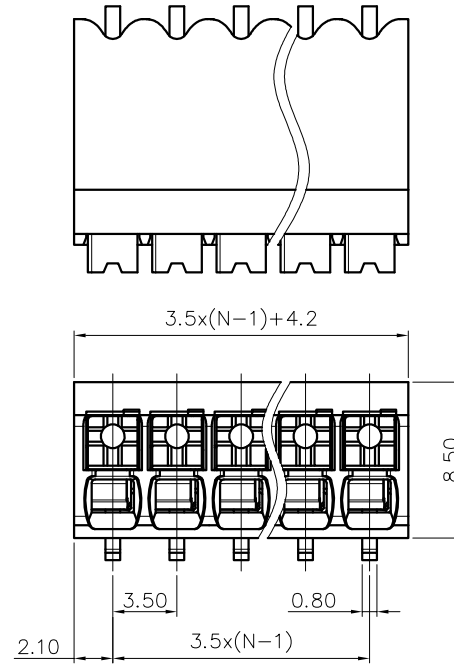
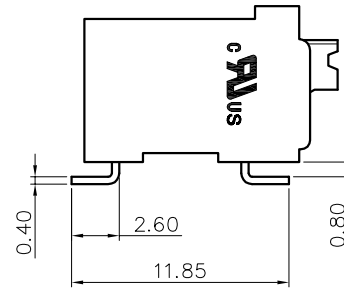
## Ordering Information

**JL212R-SMT- 350 XX B 0 1**

Pitch 350=3.50PH      No. of pins 2P~24P      Housing Color      Packing

B=Black      G=Green      U=Blue      R=Red      W=White      Y=Yellow      □=Orange      E=Grey

0=Pe bag      T=Tube      A=Tray



DRAW	SHUANGPING ZHENG	SCALE	FIT	<b>JILN</b> ® 东莞市锦凌电子有限公司 DONGGUAN JINLING ELECTRONIC CO.,LTD	
CHECK	LICHAD LIU	UNIT	mm		
APPROVE	YONGLIANG GAO	SIZE	A4	PART NO.	JL212R-SMT-350XXB01
		SHEET	1/1	TITLE:	JL212R-SMT-THR-3.5-XXP 弹簧式/弯脚/双排/黑色
		PROJ.			