

CUC-V14-P1PBK-S/R4O:VPE10 - Protective cover



1418874

<https://www.phoenixcontact.com/us/products/1418874>

Please be informed that the data shown in this PDF document is generated from our online catalog. Please find the complete data in the user documentation. Our general terms of use for downloads are valid.

Protective cover, IP67, to cover the contact insert in the RJ45 and SC-RJ push-pull panel mounting frames, unit pack: 10 pcs.



Commercial data

Item number	1418874
Packing unit	10 pc
Minimum order quantity	1 pc
Note	Made to order (non-returnable)
Product key	ABNODZ
GTIN	4055626155302
Weight per piece (including packing)	21.55 g
Weight per piece (excluding packing)	21.55 g
Country of origin	DE

CUC-V14-P1PBK-S/R4O:VPE10 - Protective cover



1418874

<https://www.phoenixcontact.com/us/products/1418874>

Technical data

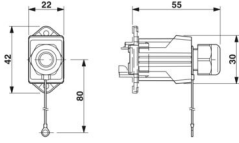
Notes

General	This product corresponds to the PROFINET Cabling and Interconnection Technology Guideline for PROFINET regulations, version 2.00, order no: 2.252, Chapter 8.2 Connectors for Outside Environment (Balanced cabling) and Chapter 8.4 Connectors for outside environment (optical fibre) and Chapter 13 Application specific Cabling and Interconnection Technology (AIDA)
---------	---

Product properties

Product type	Data plug
Application	RJ45 and SCRJ
Type	Version 14

Dimensions

Dimensional drawing	
Width	22 mm
Height	30 mm
Length	57 mm

Material specifications

Color	black
Material	Plastic
Flammability rating according to UL 94	V0
Seal material, O-ring	NBR
Seal material cable seal	TPE
Seal material	NBR
Seal material, pin connector pattern	NBR
Housing material	Metal
O-ring material	NBR
Material for screw connection	PA

Environmental and real-life conditions

Ambient conditions

Degree of protection	IP65/IP67
Ambient temperature (operation)	-40 °C ... 70 °C

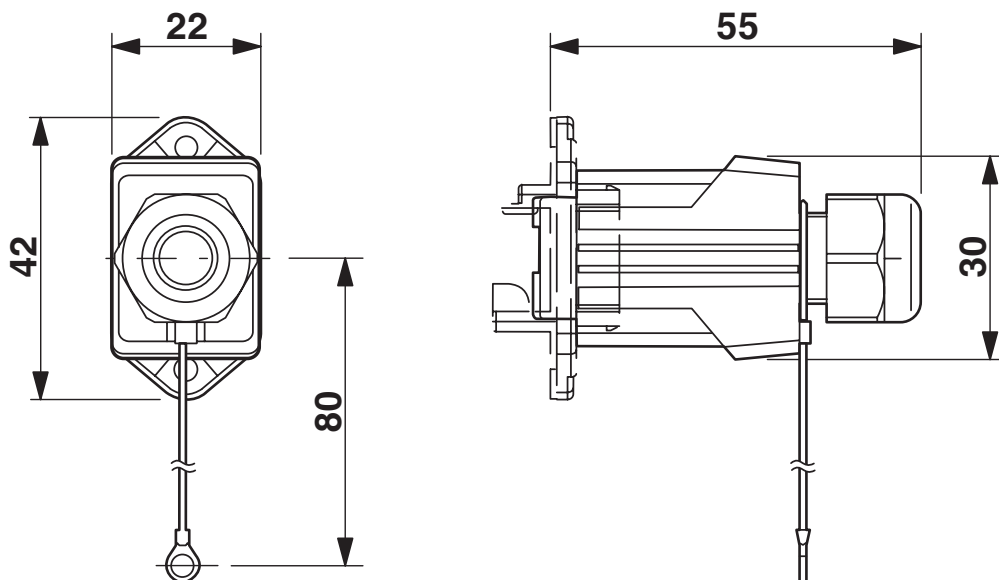
CUC-V14-P1PBK-S/R40:VPE10 - Protective cover

1418874

<https://www.phoenixcontact.com/us/products/1418874>

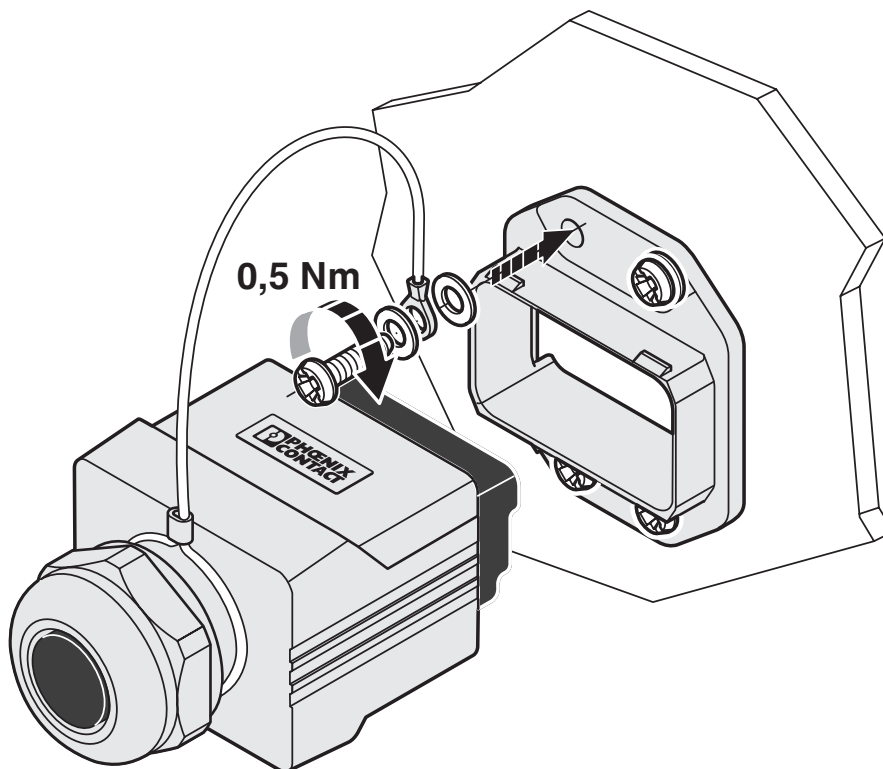
Drawings

Dimensional drawing



Protective cover for the Push-Pull panel mounting frame

Exploded view



Mounting the protective cover

CUC-V14-P1PBK-S/R4O:VPE10 - Protective cover



1418874

<https://www.phoenixcontact.com/us/products/1418874>

Classifications

ECLASS

ECLASS-11.0	27440208
ECLASS-12.0	27440208
ECLASS-13.0	27440208

ETIM

ETIM 9.0	EC002314
----------	----------

UNSPSC

UNSPSC 21.0	39121400
-------------	----------

1418874

<https://www.phoenixcontact.com/us/products/1418874>

Environmental product compliance

EU RoHS

Fulfills EU RoHS substance requirements	Yes, No exemptions
---	--------------------

China RoHS

Environment friendly use period (EFUP)	EFUP-E
	No hazardous substances above the limits

EU REACH SVHC

REACH candidate substance (CAS No.)	6,6'-di-tert-butyl-2,2'-methylenedi-p-cresol(CAS: 119-47-1)
SCIP	80bdb998-cbf6-4a10-81fc-b3839ebc7101

Phoenix Contact 2024 © - all rights reserved

<https://www.phoenixcontact.com>

Phoenix Contact USA
586 Fulling Mill Road
Middletown, PA 17057, United States
(+717) 944-1300
info@phoenixcon.com