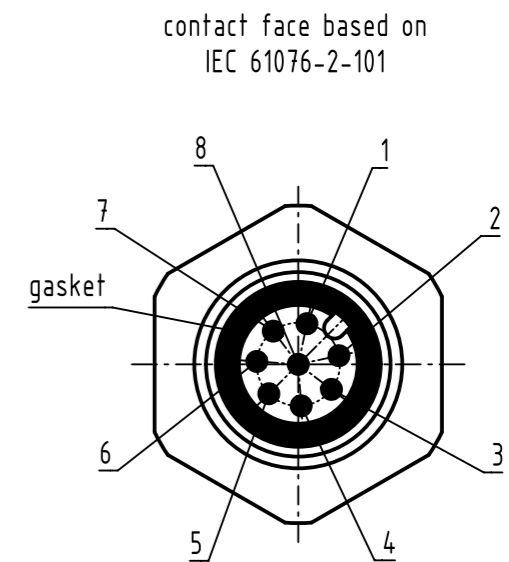
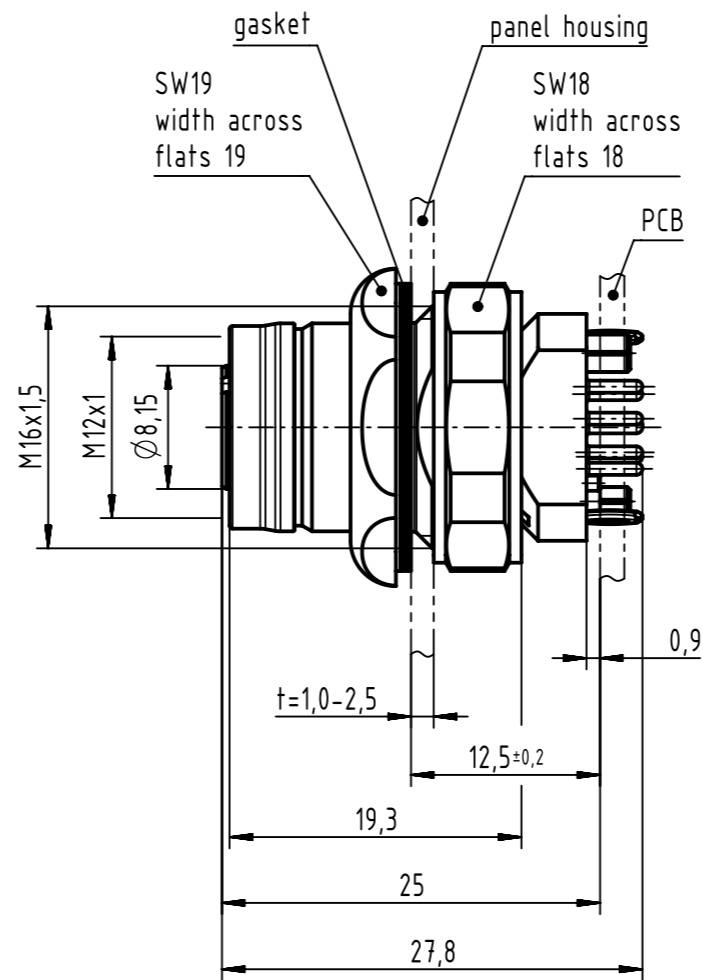
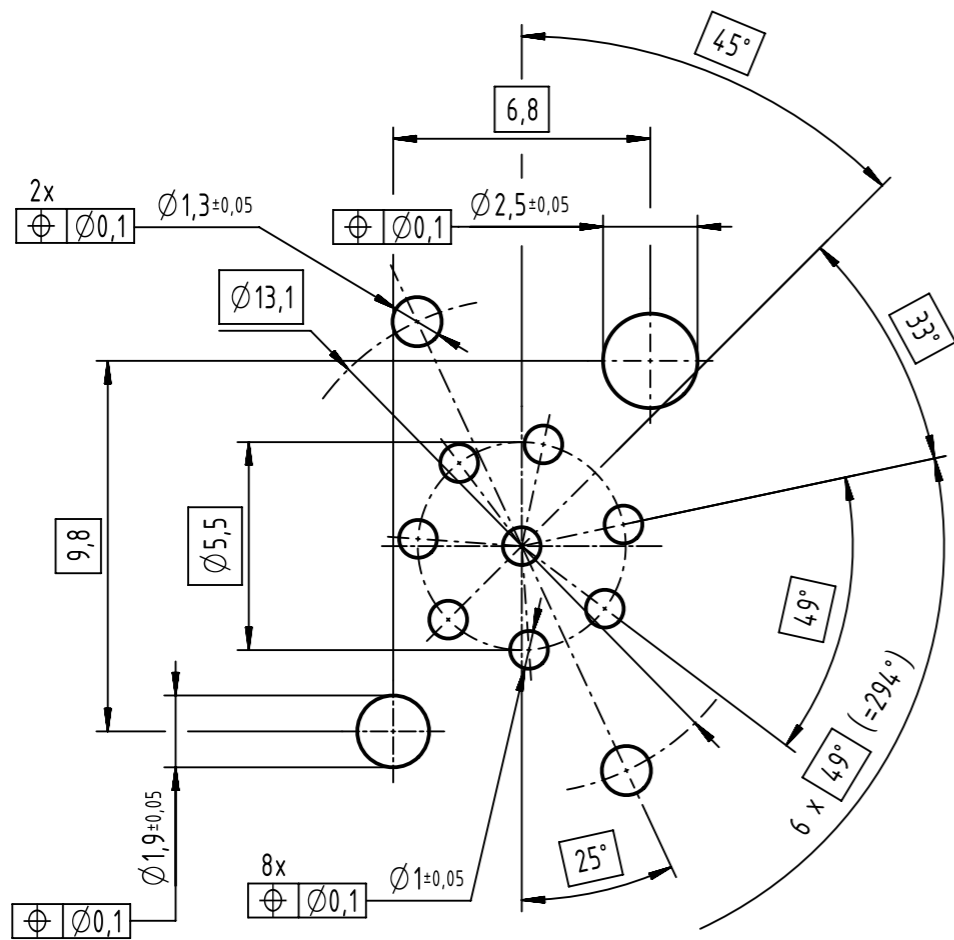
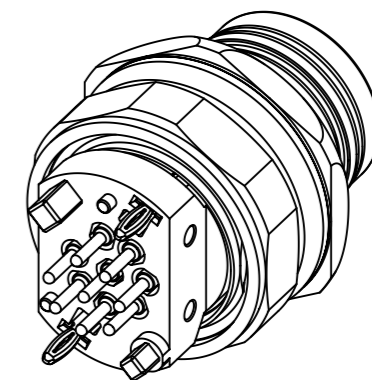
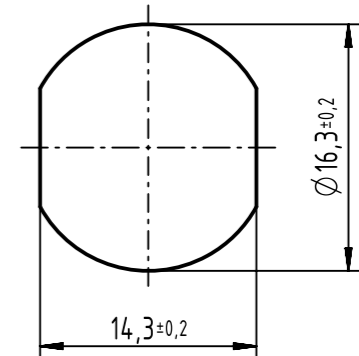


A (5:1)
recommended PCB-layout



panel cut out



- 1 pcs. single package

	All Dimensions in mm Original Size DIN A3		Scale 2:1	Free size tol.		Ref.
	All rights reserved Department EC PD - DE		Created by HASSE	Inspected by EISFELD	Standardisation HOFFMANN	Date 2015-07-14
HARTING Electronics GmbH D-32339 Espelkamp		Title HARTING M12 PCB receptacle female A-coded 8-pole front			Doc-Key / ECM-Nr. 100567936/UGD/000/D 50000091627	
		Type TB	Number 21033212831		Rev. D	Page 1/1