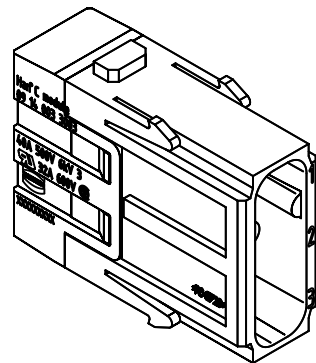
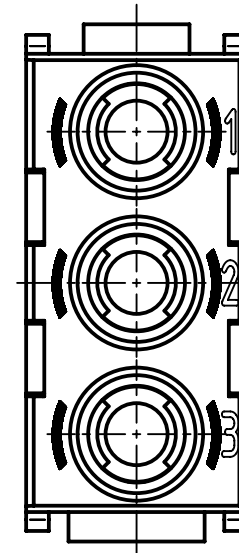
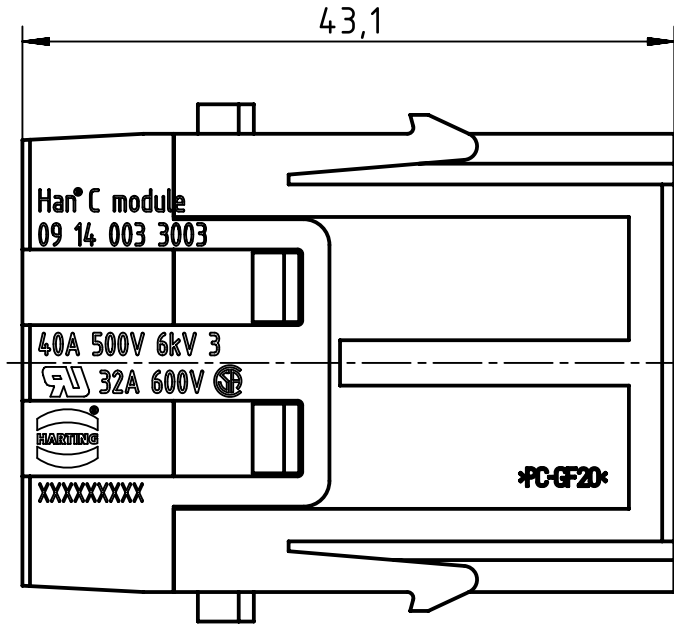
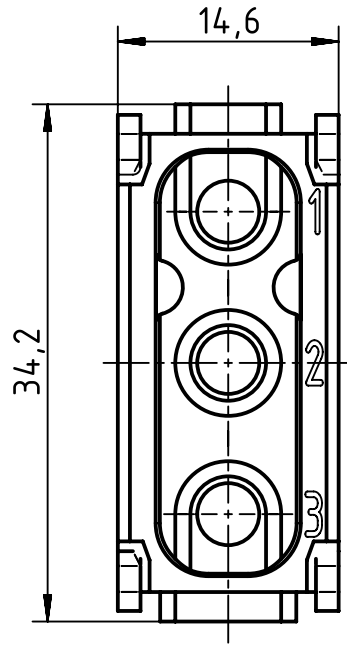


A

B

C

D



outer diameter of wire up to 7,5mm
18mm stripping length for wire diameter ≥ 5mm

	All Dimensions in mm Original Size DIN A4		Scale 2:1	Free size tol.		Ref.		
						Sub.		
	All rights reserved		Created by HOLLERT	Inspected by RIEPE	Standardisation SCHMIDTM	Date 2015-01-27	State Final Release	
	Department EL PD - DE		Title Han 3Mod-M-c 40A				Doc-Key / ECM-Nr. 100610179/UGD/001/A 500000084148	
HARTING Electric GmbH & Co. KG D-32339 Espelkamp			Type TB	Number 09 14 003 3003			Rev. A	Page 1/1

Mouser Electronics

Authorized Distributor

Click to View Pricing, Inventory, Delivery & Lifecycle Information:

[HARTING:](#)

[09140033003](#)