

# PART NO MATRIX

**E W 6 A 0 6 1 0 2 M X X X**

E=ETHERNET

HEADS:  
W=M12 4-Pole Ultra Lock  
D-Coding  
6=RJ45

HEADS STYLE:  
061=MALE RA / RJ 45 PLUG STR

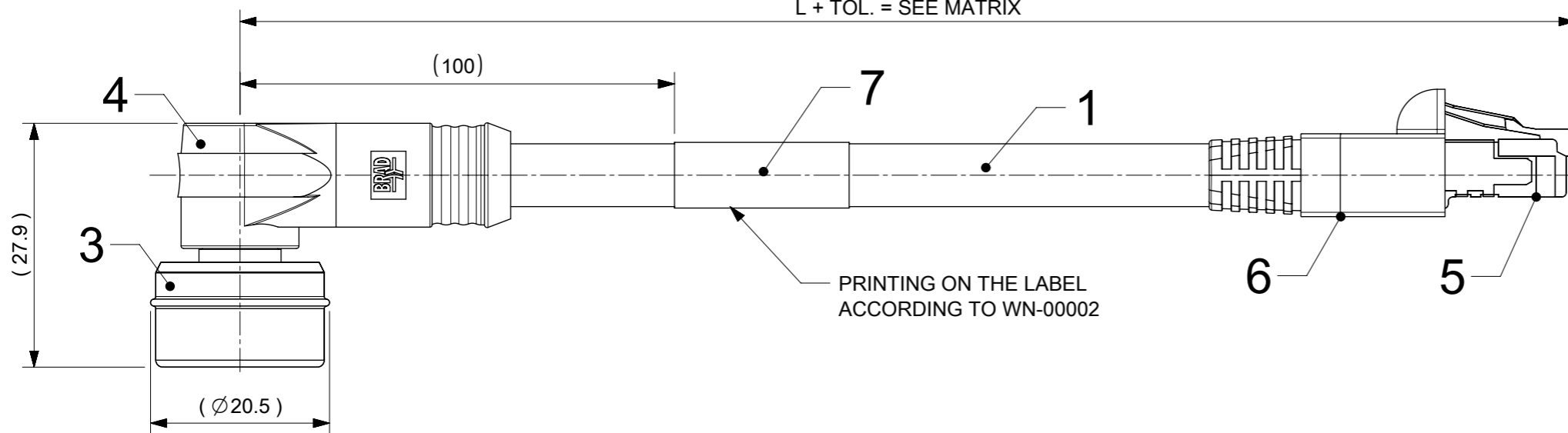
UNITS:  
M= METER  
T=10x METER

WIRING TYPE:  
A=4 Pole  
STRAIGHT WIRED

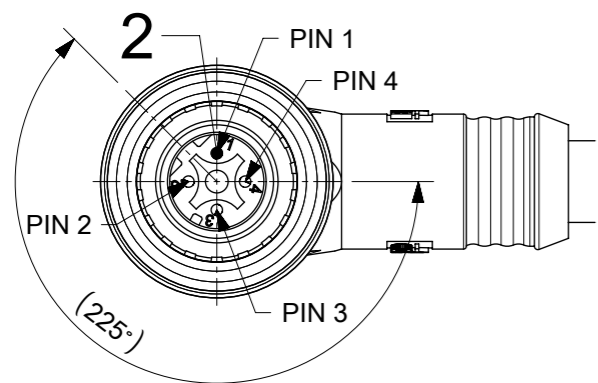
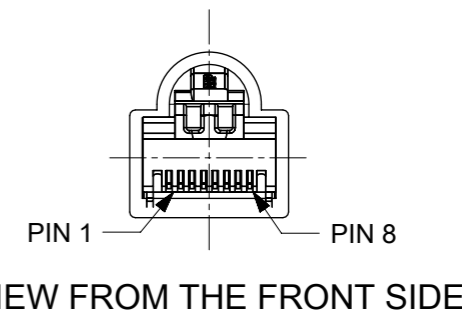
CABLE TYPE :

LENGTH EXAMPLES:  
005=0.5m  
010=1m  
150=15m

L + TOL. = SEE MATRIX

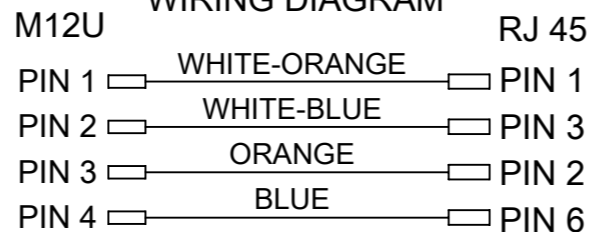


PRINTING ON THE LABEL  
ACCORDING TO WN-00002



VIEW FROM THE FRONT SIDE

## WIRING DIAGRAM



## BOM

ITEM	QTY.	DESCRIPTION	MATERIAL	FINISH/COLOR
1	-	CABLE ETHERNET CAT5E	PVC	TEAL
2	4	CONTACT MALE	BRONZE	GOLD OVER Ni-PLATED
3	1	MIC 3P MALE ULOCK ASSEMBLY	-	-
4	-	MOULDING MATERIAL	PUR	BLACK
5	1	RJ45-PLUG	-	-
6	1	STRAIN RELIEF BOOT	PVC	BLACK
7	1	WRAP LABEL	VINYL	YELLOW

## PART LIST

SL. NO	MOLEX PN	ENGINEERING NO.	LENGTH (mm)
1	1201080336	EW6A06102M020	2000
2	1201080338	EW6A06102M060	6000
3	1201080339	EW6A06102M100	10000
4	1201080337	EW6A06102M150	15000
5	1201080340	EW6A06102M200	20000
6	1201080341	EW6A06102M300	30000
7	1201080342	EW6A06102M400	40000
8	1201080343	EW6A06102M500	50000
9	1201088202	EW6A06102M900	90000
10	1201088203	EW6A06102T100	100000

## NOTES :

ELECTRICAL DATA :  
ACCORDING TO CAT5e  
VOLTAGE RATING : 30V  
AMPERAGE RATING : 1.5A  
INSULATION RESISTANCE : 10<sup>9</sup>Ω MIN.  
MATING CYCLES : MIN. 100

ENVIRONMENTAL :  
PROTECTION CLASS RJ45 : IP20  
PROTECTION CLASS M12 : IP67/IP68/IP69K IN MATED AND LOCKED POSITION  
OPERATING TEMPERATURE : -25°C TO +80°C

## TABLE OF LENGHT TOLERANCES (mm)

OVER	UP TO AND INCLUDING	TOLERANCE
0	305	+19
305	915	+45
915	1830	+56
1830	3660	+89
3660	7320	+165
7320	14640	+317
14640	30500	+610
30500	>	+2% OF LENGTH

THIS DRAWING CONTAINS INFORMATION THAT IS PROPRIETARY TO MOLEX ELECTRONIC TECHNOLOGIES, LLC AND SHOULD NOT BE USED WITHOUT WRITTEN PERMISSION

FUNCTIONAL SYMBOLS:  $\nabla/A = 0$ ,  $\nabla/E = 0$ ,  $\nabla/F = 0$

DIMENSION UNITS: mm

SCALE: 3:2

GENERAL TOLERANCES (UNLESS SPECIFIED):  
ANGULAR TOL ± 0.5°  
4 PLACES ±  
3 PLACES ±  
2 PLACES ± 0.13  
1 PLACE ± 0.25  
0 PLACES ±

DRAFT WHERE APPLICABLE MUST REMAIN WITHIN DIMENSIONS

THIRD ANGLE PROJECTION

DRAWING: A3-SIZE

SERIES: 120108

MATERIAL NUMBER: SEE PART LIST

CUSTOMER: GENERAL MARKET

SHEET NUMBER: 1 OF 1

CURRENT REV DESC: AS PER THE PCN-514377 REPLACED THE RJ45 BOOT FROM P/N 1302328002 TO P/N 1301980188 IN ASSEMBLY AND UPDATED THE DRAWING

EC NO: 769239  
DRWN: AKABADI  
CHK'D: RSILLER  
APPR: RSILLER

2023/11/09  
2023/11/17  
2023/11/17

INITIAL REVISION:  
DRWN: MDHARMANTI  
APPR: RSILLER

2022/01/19  
2022/02/15

DOCUMENT NUMBER: 1201080336

DOC TYPE: PSD

DOC PART: 000

REVISION: B

**molex**

CSE U12 4P AC MA RA PVC RJ45 CAT5E

PRODUCT CUSTOMER DRAWING