

HS3AB THRU HS3MB (US3AB THRU US3MB)

High Efficient Rectifier

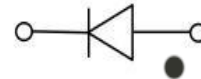
Features

- Low profile package
- Ideal for automated placement
- Glass passivated chip junction
- Ultra-fast reverse recovery time
- High forward surge capability
- Meets MSL level 1, per J-STD-020,LF maximum peak of 260 °C



Typical Application

For use in high frequency rectification of power supply, inverters, converters, and freewheeling diodes for consumer and telecommunication.



Mechanical Data

- Package: DO-214AA(SMB)
Molding compound meets UL 94 V-0 flammability rating, RoHS-compliant
- Terminals: Tin plated leads, solderable per J-STD-002 and JESD22-B102
- Polarity: Cathode line denotes the cathode end

Maximum Ratings (Ta=25°C Unless otherwise specified)

PARAMETER	Symbol	Unit	Conditions	HS3/US3							
				AB	BB	DB	FB	GB	JB	KB	MB
Repetitive Peak Reverse Voltage	V_{RRM}	V		50	100	200	300	400	600	800	1000
Average Forward Current	$I_{F(AV)}$	A	60HZ Half-sine wave, Resistance load, $T_L=110^\circ\text{C}$	3							
Surge(Nonrepetitive)Forward Current	I_{FSM}	A	60HZ Half-sine wave, 1 cycle, $T_a=25^\circ\text{C}$	100							
Storage Temperature	T_{stg}	°C		-55 ~ +150							
Junction Temperature	T_j	°C		-55 ~ +150							

Electrical Characteristics (Ta=25°C Unless otherwise specified)

PARAMETER	Symbol	Unit	Conditions	HS3/US3					
				AB	BB	DB	FB	GB	JB
Peak Forward Voltage	V_{FM}	V	$I_{FM}=3.0A$	1.0		1.3		1.7	
Peak Reverse Current	I_{RRM1}	μA	$V_{RM}=V_{RRM}$	$T_a=25^\circ\text{C}$		10			
	I_{RRM2}			$T_a=100^\circ\text{C}$		200			
Maximum reverse recovery time	T_{rr}	ns	$I_F=0.5A, I_R=1.0A, I_{rr}=0.25A$	50			75		
Thermal Resistance(Typical)	$R_{\theta J-A}$	°C/W	Between junction and ambient	47 ¹⁾					
	$R_{\theta J-L}$		Between junction and terminal	13 ¹⁾					

Notes:

1) Thermal resistance from junction to ambient and from junction to lead mounted on P.C.B. with 0.2" x 0.2" (5.0 mm x 5.0 mm) copper pad areas.



HS3AB THRU HS3MB (US3AB THRU US3MB)

Characteristics (Typical)

FIG1: Forward Current Derating Curve

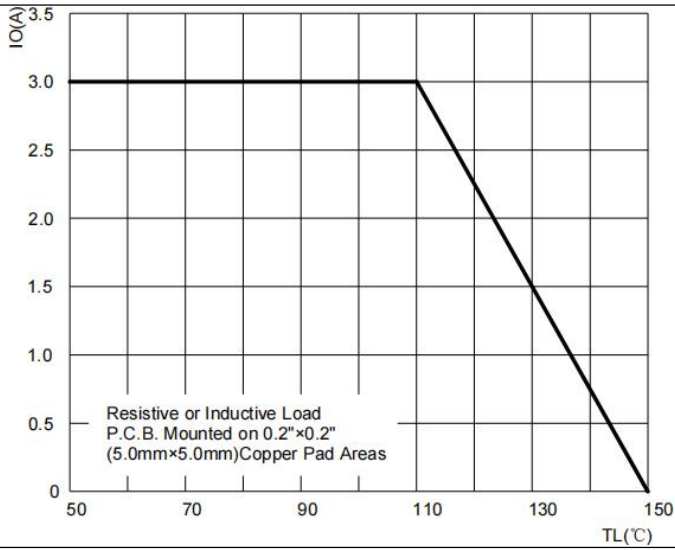


FIG2: Surge Forward Current Capability

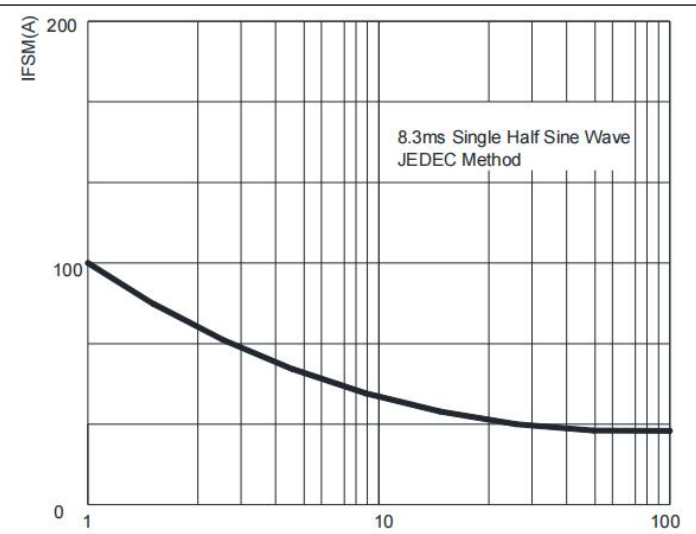


FIG3: Instantaneous Forward Voltage

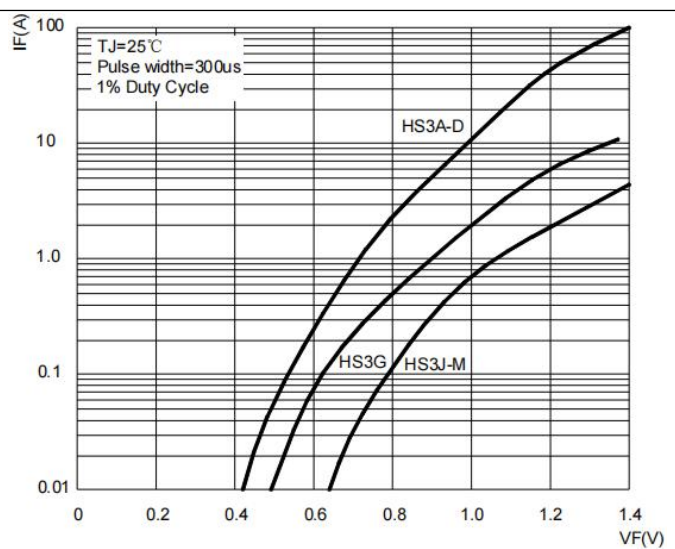


FIG4: Typical Reverse Characteristics

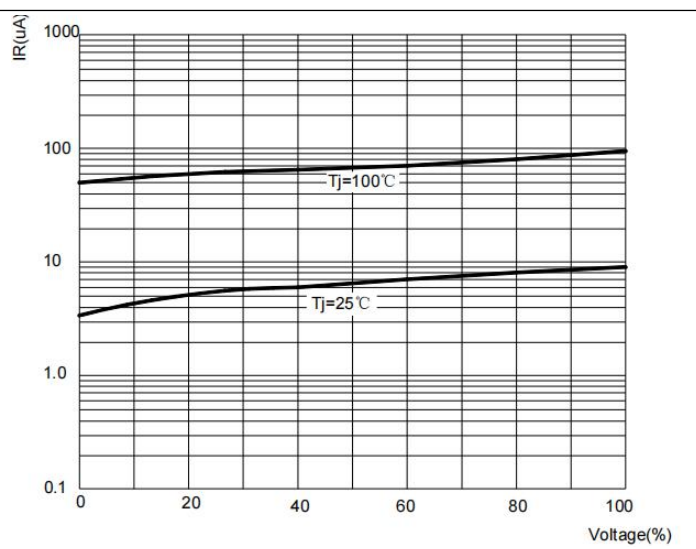
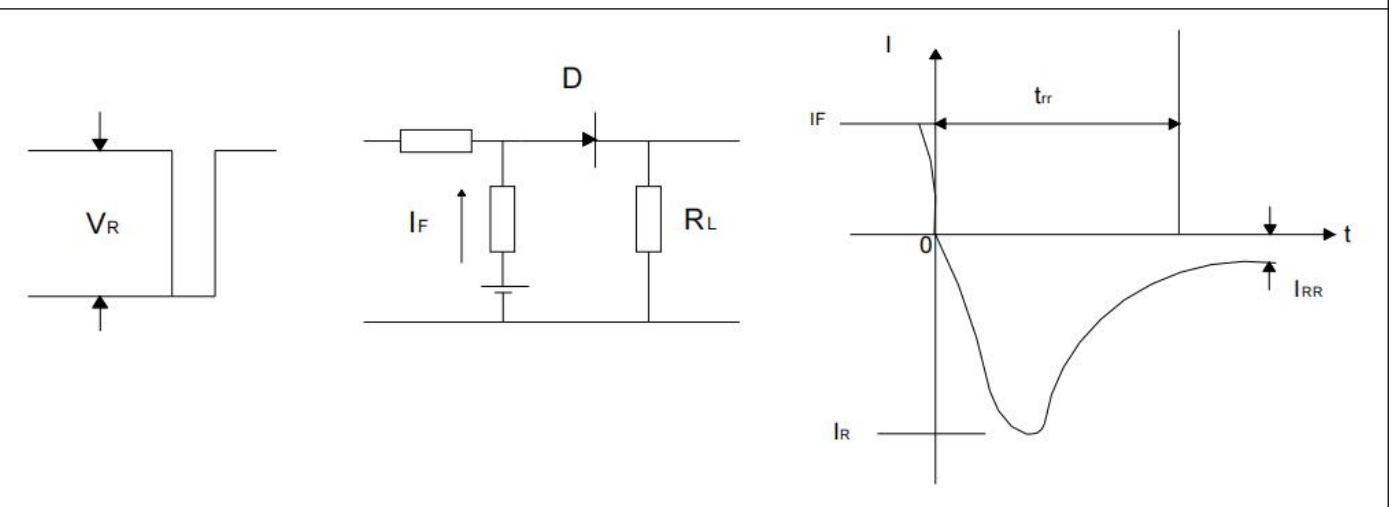


FIG5: Diagram of circuit and Testing wave form of reverse recovery time



HS3AB THRU HS3MB (US3AB THRU US3MB)

Ordering Information (Example)

PREFERED	PACKAGE CODE	MINIMUM PACKAGE(pcs)	INNER BOX QUANTITY(pcs)	OUTER CARTON QUANTITY(pcs)	DELIVERY MODE
HS3AB THRU HS3MB (US3AB THRU US3MB)	DO-214AA(SMB)	3000	6000	48000	13" reel

Outline Dimensions

