



Ex position switch Ex ES 97 DS-02 -60°C Material number: 1430692

Features/Options

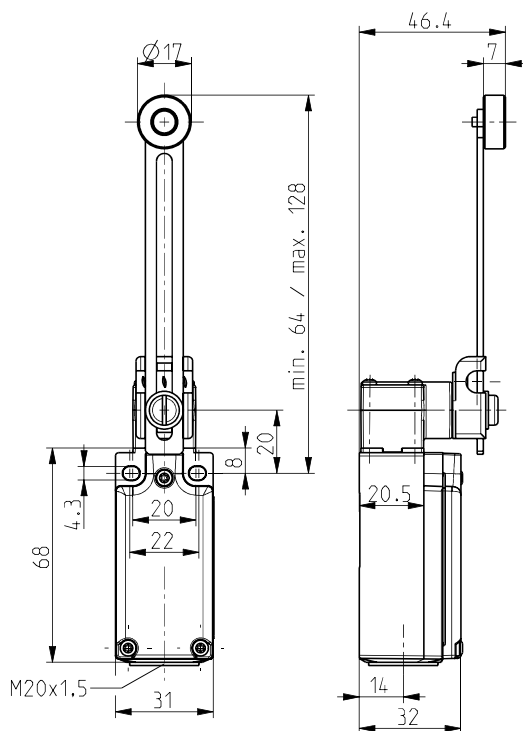
- Ex zone 1 and 21
- Thermoplastic enclosure
- Cold-resistant down to -60 °C
- High degree of protection IP 66 / IP 67

Note

- 1 Ex"e" cable gland M20x1.5 included in delivery

- Design to EN 50047
- Wiring compartment
- Double insulated \square
- Actuator: Adjustable rocking lever DS

Dimensions



Technical data

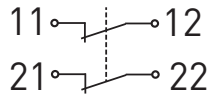
Standards	EN 60947-5-1; EN 60079-0, EN 60079-1, EN 60079-7, EN 60079-31
Enclosure	glass-fibre reinforced, shock-proof thermoplastic, self-extinguishing UL 94-V0
Cover	glass-fibre reinforced, shock-proof thermoset material, self-extinguishing UL 94-V0
Switch insert	Type 8080/1-3
Degree of protection	IP 66 to IEC/EN 60529 (... -60 °C) IP 67 to IEC/EN 60529 (... -20 °C)
Contact material	Silver, nickel-plated
Switching system	slow action, positive break NC contacts \ominus
Switching elements	2 NC contacts, type Zb
Connection	screw connection terminals, min. 0,2 mm ² AWG 24, max. 1,5 mm ² AWG 16, incl. conductor ferrules M20 x 1,5; screwing depth max. 9 mm; use only Ex approved and certified cable glands with min. degree of protection IP 66 and suitable for the specified ambient temperature range
Cable entry	AC-15
Utilisation category	max. 2 A or 4 A \square
I _e	max. 400 VAC, max. 250 VAC for unequal potential
U _e	> 1 million operations
Mechanical life	max. 7 J
Impact energy	T6
Temperature class	-60 °C ... +55 °C max. 4 A, +60 °C max. 2 A
Ambient temperature	6 A gG/gN fuse
Max. fuse rating	Ex II 2G Ex db eb IIC T6 Gb, Ex II 2D Ex tb IIIC T80 °C Db IECEX Ex db eb IIC T6 Gb, Ex tb IIIC T80 °C Db
Ex marking	BVS 16 ATEX E 052 IECEX BVS 16.0052
Approvals	

Errors and omissions excepted.



Ex position switch
Ex ES 97 DS-02 -60°C
Material number: 1430692

Contact diagram



Switching diagram

