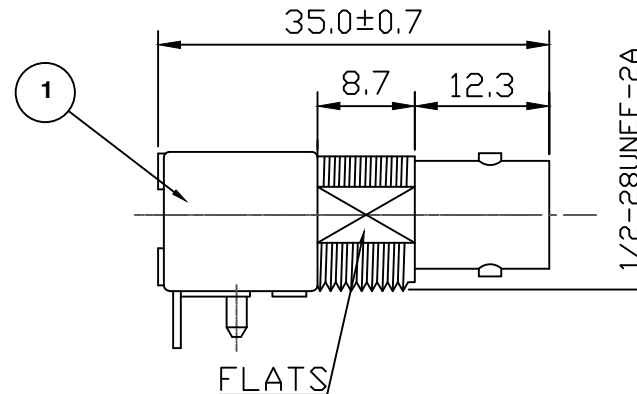
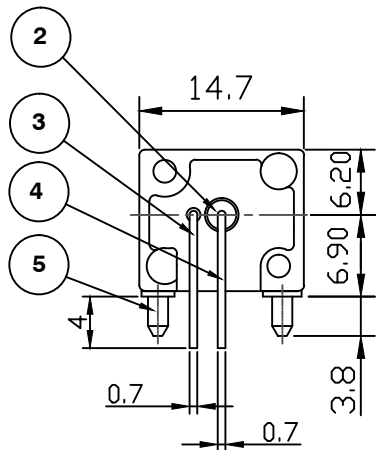


RoHS COMPLIANT



Electrical Characteristics

Nominal Impedance:	75 ohms
Frequency Range:	DC to 4.0 GHz
VSWR:	1.3:1 maximum
Insertion Loss:	0.2 dB at 1 GHz
Operating Voltage (rms):	500 V maximum at sea level
Dielectric Withstand Voltage (rms):	1500 V maximum at sea level
Centre Contact Resistance:	1.5 megohms
Outer Contact Resistance:	1.0 megohms
Insulation Resistance:	5000 megohms minimum

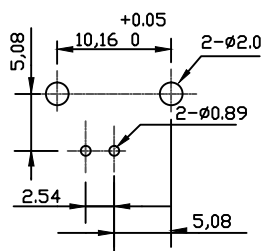
Mechanical Characteristics

Mating Cycles:	500 cycles minimum
Interface Dimensions:	Conform to MIL-C-39012

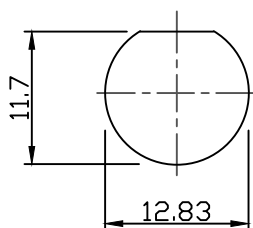
Environmental Characteristics

Temperature Range:	-65°C to +160 °C
--------------------	------------------

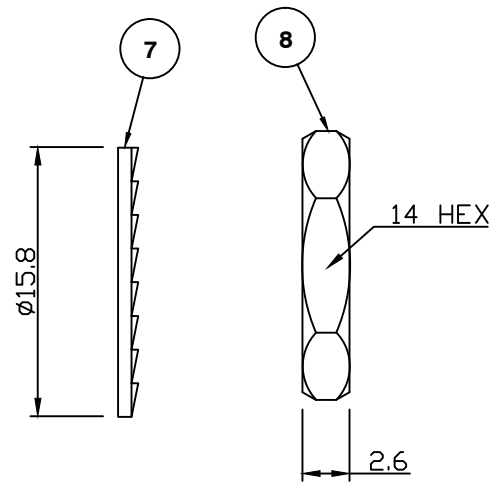
REF.	DESCRIPTION	MATERIAL	PLATING
1	Body	Zinc	Nickel
2	Insulator	POM	Natural
3	Ground Terminal	Brass	Tin
4	Contact Wire	Brass	Tin
5	Mount Post	Brass	Tin
6	Socket Contact	P-Bronze	Gold
7	Lock Washer	Iron	Nickel
8	Hex Nut	Zinc	Nickel



RECOMMENDED PCB LAYOUT



RECOMMENDED PANEL CUTOUT



DESCRIPTION OF REVISION	APPVD	ISS	DATE
Material Info Update - ECN D17509	MS	7	16 Dec 21
Dimension/Info Update - ECN D17472	MS	6	30 Apr 21
Dimension Update	JC	5	13 May 15
Complete Update	KA	4	17 Mar 08
Plating thickness of mtg post added	MS	3	29 Nov 07
CAD Issue	PDC	2	06 Jun 02
First Issue	CBB	1	02 Sep 99



CINCH CONNECTIVITY SOLUTIONS
 11 Bilton Road,
 Chelmsford, Essex,
 CM1 2UP, UK.
 Tel: +44 (0) 1245 359515
 Fax: +44 (0) 1245 358938

SCALE: Not To Scale	DRAWN BY: P Couzens
DIMENSIONS: mm	CHECKED BY: P Couzens
TOLERANCES: ± 0.2mm unless otherwise stated	APPROVED BY: S Nash
	DATE: 06 Jun 02

TITLE:
**BNC Right Angle PCB Mount
 Jack Low Profile 75 Ohm**

PART NUMBER:
VBM211-75
 PAGE: 1 of 1