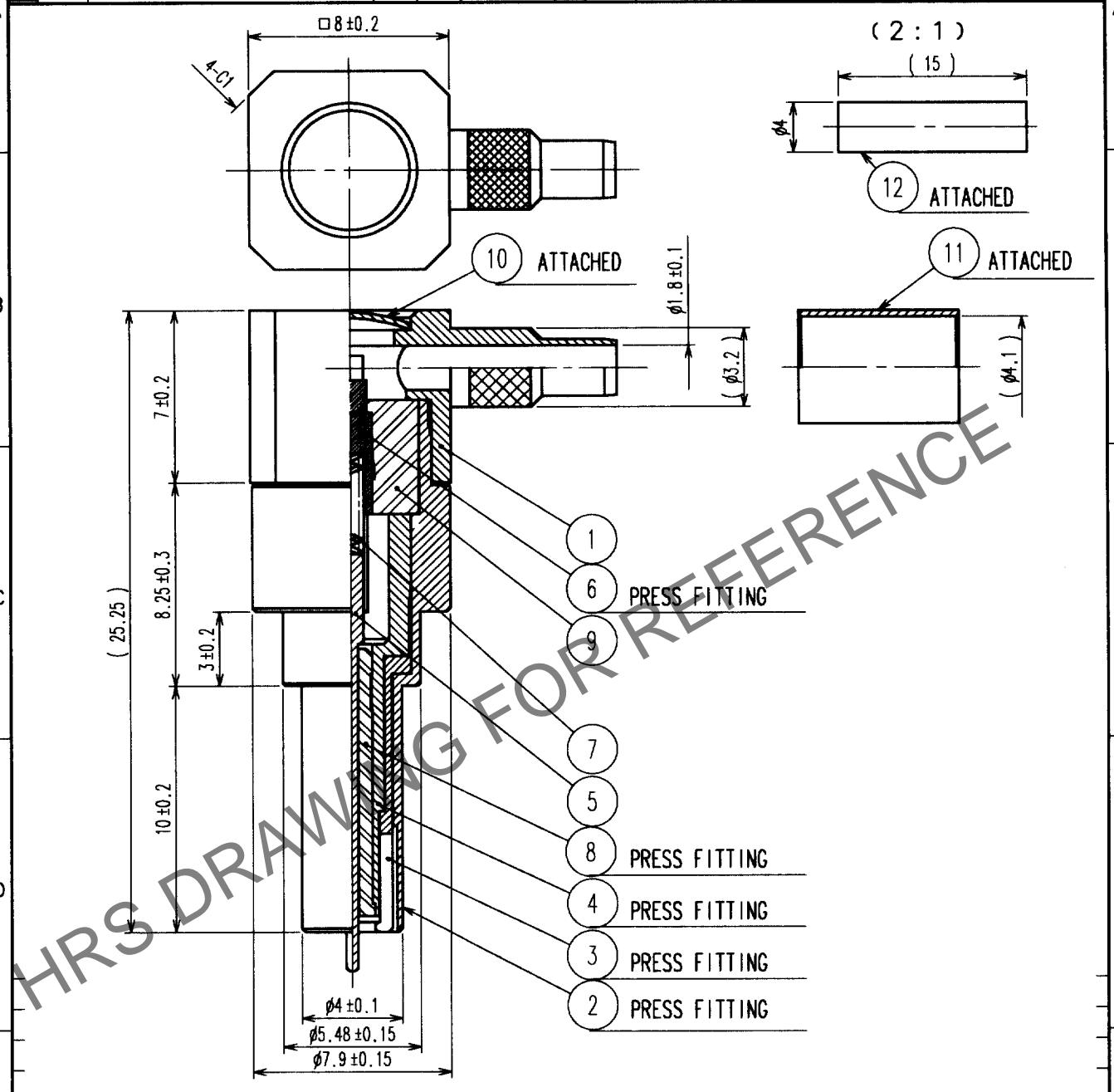


Jun.1.2024 Copyright 2024 HIROSE ELECTRIC CO., LTD. All Rights Reserved.
 In case of consideration for using Automotive equipment / device which demand high reliability, kindly contact our sales window correspondents.

1					2					3					4				
COUNT	DESCRIPTION OF REVISIONS				BY	CHKD	DATE	COUNT	DESCRIPTION OF REVISIONS				BY	CHKD	DATE				
△								△											
△								△											
△								△											



6	BERYLLIUM COPPER	GOLD	12	POLYOLEFIN	HEAT SHRINK TUBING
5	PHOSPHOR BRONZE	GOLD	11	COPPER	NICKEL
4	PHOSPHOR BRONZE	NICKEL	10	BRONZE	NICKEL
3	BERYLLIUM COPPER	GOLD	9	PTFE	
2	PHOSPHOR BRONZE	NICKEL	8	PTFE	
1	PHOSPHOR BRONZE	NICKEL	7	STAINLESS	GOLD
NO.	MATERIAL	FINISH, REMARKS	NO.	MATERIAL	FINISH, REMARKS

CODE NO. (OLD)	DRAWN	DESIGNED	CHECKED	APPROVED	RELEASED
	<i>K. Hada</i>	<i>K. Hada</i>	<i>T. Hada</i>	<i>Y. Miyake</i>	
	02.8.2	02.8.2	02.8.2	02.8.4	

 SCALE 4 : 1 UNITS mm	DRAWING NO.	PART NO.	 SCALE 4 : 1 UNITS mm
	EDC4-180289	MS-156-C(LP)-2	
HRS HIROSE ELECTRIC CO., LTD.		CODE NO.	CL358-0174-3