

MMT05B230T3, MMT05B260T3, MMT05B310T3

Preferred Devices

Thyristor Surge Protectors High Voltage Bidirectional TSPD

These Thyristor Surge Protective devices (TSPD) prevent overvoltage damage to sensitive circuits by lightning, induction and power line crossings. They are breakover-triggered crowbar protectors. Turn-off occurs when the surge current falls below the holding current value.

Secondary protection applications for electronic telecom equipment at customer premises.

Features

- High Surge Current Capability: 50 A 10 x 1000 μ sec, for Controlled Temperature Environments
- The MMT05B230T3 Series is used to help equipment meet various regulatory requirements including: Bellcore 1089, ITU K.20 & K.21, IEC 950, UL 1459 & 1950 and FCC Part 68
- Bidirectional Protection in a Single Device
- Little Change of Voltage Limit with Transient Amplitude or Rate
- Freedom from Wearout Mechanisms Present in Non-Semiconductor Devices
- Fail-Safe, Shorts When Overstressed, Preventing Continued Unprotected Operation
- Surface Mount Technology (SMT)
- \mathcal{R} Indicates UL Registered – File #E210057
- Pb-Free Packages are Available

MAXIMUM RATINGS ($T_J = 25^\circ\text{C}$ unless otherwise noted)

| Rating | Symbol | Value | Unit |
|--|--|--|------------------|
| Off-State Voltage – Maximum MMT05B230T3 MMT05B260T3 MMT05B310T3 | V_{DM} | ± 170 ± 200 ± 270 | V |
| Maximum Pulse Surge Short Circuit Current Non-Repetitive Double Exponential Decay Waveform (Notes 1 and 2) (-25°C Initial Temperature) | I_{PPS1} I_{PPS2} I_{PPS3} I_{PPS4} | ± 150 ± 100 ± 70 ± 50 | A(pk) |
| Maximum Non-Repetitive Rate of Change of On-State Current Double Exponential Waveform, $R = 1.0$, $L = 1.5 \mu\text{H}$, $C = 1.67 \mu\text{F}$, $I_{pk} = 110\text{A}$ | di/dt | ± 150 | A/ μs |

Stresses exceeding Maximum Ratings may damage the device. Maximum Ratings are stress ratings only. Functional operation above the Recommended Operating Conditions is not implied. Extended exposure to stresses above the Recommended Operating Conditions may affect device reliability.

1. Allow cooling before testing second polarity.
2. Measured under pulse conditions to reduce heating.



ON Semiconductor®

<http://onsemi.com>

BIDIRECTIONAL TSPD (\mathcal{R})
50 AMPERE SURGE
265 thru 365 VOLTS



SMB
(No Polarity)
(Essentially JEDEC DO-214AA)
CASE 403C

MARKING DIAGRAMS



RPBx = Device Code
x = G or J
Y = Year
WW = Work Week
■ = Pb-Free Package

ORDERING INFORMATION

See detailed ordering and shipping information in the package dimensions section on page 5 of this data sheet.

Preferred devices are recommended choices for future use and best overall value.

MMT05B230T3, MMT05B260T3, MMT05B310T3

THERMAL CHARACTERISTICS

| Characteristic | Symbol | Max | Unit |
|--|----------|-------------|------|
| Operating Temperature Range Blocking or Conducting State | T_{J1} | -40 to +125 | °C |
| Overload Junction Temperature – Maximum Conducting State Only | T_{J2} | +175 | °C |
| Instantaneous Peak Power Dissipation ($I_{pk} = 50$ A, 10×1000 μ sec @ 25°C) | P_{PK} | 2000 | W |
| Maximum Lead Temperature for Soldering Purposes 1/8" from Case for 10 Seconds | T_L | 260 | °C |

ELECTRICAL CHARACTERISTICS ($T_J = 25^\circ\text{C}$ unless otherwise noted) Devices are bidirectional. All electrical parameters apply to forward and reverse polarities.

| Characteristics | Symbol | Min | Typ | Max | Unit |
|---|----------------------|------|-------------------|--|------------|
| Breakover Voltage (Both polarities) ($dv/dt = 100$ V/ μ s, $I_{SC} = 1.0$ A, $V_{dc} = 1000$ V) (+65°C) | $V_{(BO)}$ | - | - | 265 320 365 280 340 400 | V |
| Breakover Voltage (Both polarities) ($f = 60$ Hz, $I_{SC} = 1.0$ A(rms), $V_{OC} = 1000$ V(rms), $R_f = 1.0$ k Ω , $t = 0.5$ cycle) (Note 3) (+65°C) | $V_{(BO)}$ | - | - | 265 320 365 280 340 400 | V |
| Breakover Voltage Temperature Coefficient | $dV_{(BO)}/dT_J$ | - | 0.08 | - | %/°C |
| Breakdown Voltage ($I_{(BR)} = 1.0$ mA) Both polarities | $V_{(BR)}$ | - | 190 240 280 | - | V |
| Off State Current ($V_{D1} = 50$ V) Both polarities ($V_{D2} = V_{DM}$) Both polarities | I_{D1} I_{D2} | - | - | 2.0 5.0 | μ A |
| On-State Voltage ($I_T = 1.0$ A) ($PW \leq 300$ μ s, Duty Cycle $\leq 2\%$) (Note 3) | V_T | - | 1.53 | 3.0 | V |
| Breakover Current ($f = 60$ Hz, $V_{DM} = 1000$ V(rms), $R_S = 1.0$ k Ω) – Both polarities | I_{BO} | - | 230 | - | mA |
| Holding Current (Both polarities) (Note 3) $V_S = 500$ V; I_T (Initiating Current) = ± 1.0 A | I_H | 150 | 340 | - | mA |
| Critical Rate of Rise of Off-State Voltage (Linear waveform, $V_D = \text{Rated } V_{BR}$, $T_J = 25^\circ\text{C}$) | dv/dt | 2000 | - | - | V/ μ s |
| Capacitance ($f = 1.0$ MHz, 50 Vdc, 1.0 V rms Signal) ($f = 1.0$ MHz, 2.0 Vdc, 15 mV rms Signal) | C_O | - | 22 53 | - 75 | pF |

3. Measured under pulse conditions to reduce heating.

MMT05B230T3, MMT05B260T3, MMT05B310T3

Voltage Current Characteristic of TSPD (Bidirectional Device)

| Symbol | Parameter |
|------------------|----------------------------|
| I_{D1}, I_{D2} | Off State Leakage Current |
| V_{D1}, V_{D2} | Off State Blocking Voltage |
| V_{BR} | Breakdown Voltage |
| V_{BO} | Breakover Voltage |
| I_{BO} | Breakover Current |
| I_H | Holding Current |
| V_{TM} | On State Voltage |

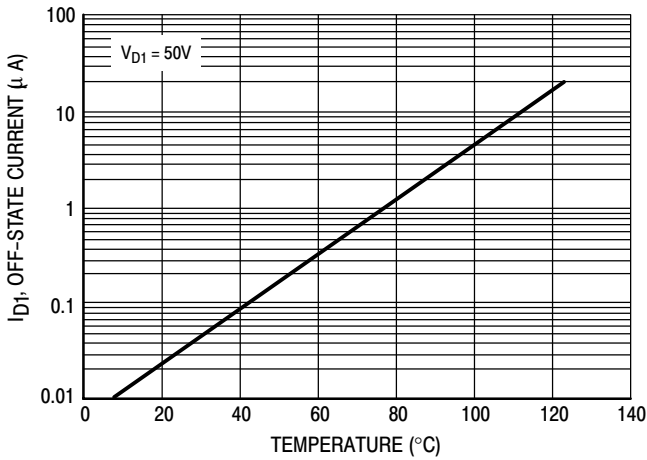
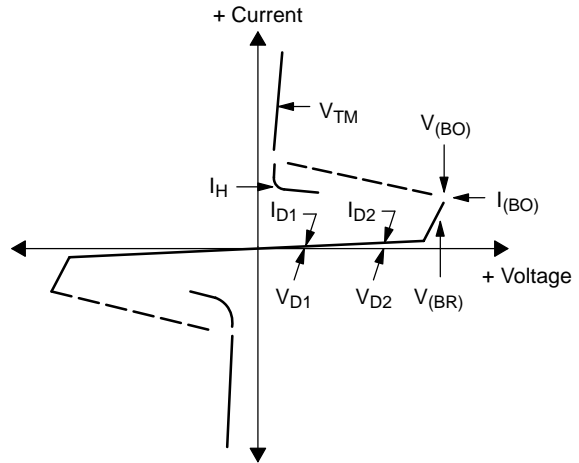


Figure 1. Off-State Current versus Temperature

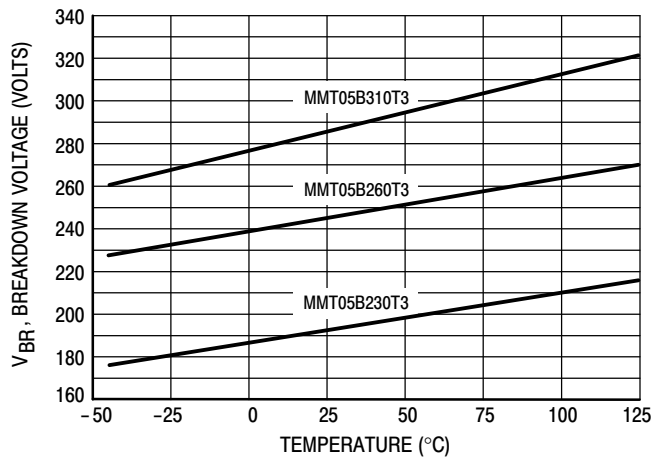


Figure 2. Breakdown Voltage versus Temperature

MMT05B230T3, MMT05B260T3, MMT05B310T3

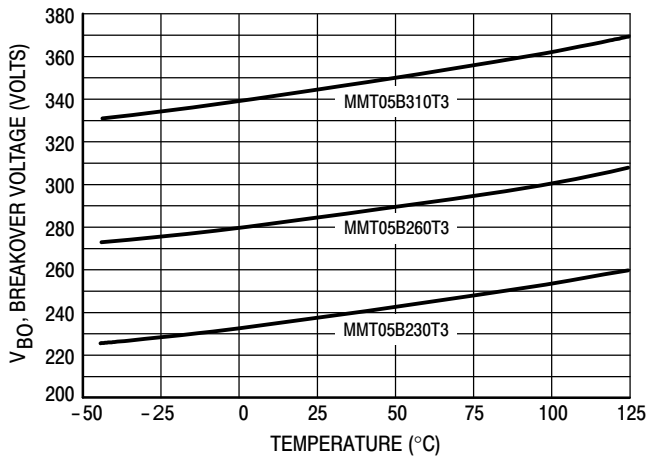


Figure 3. Breakover Voltage versus Temperature

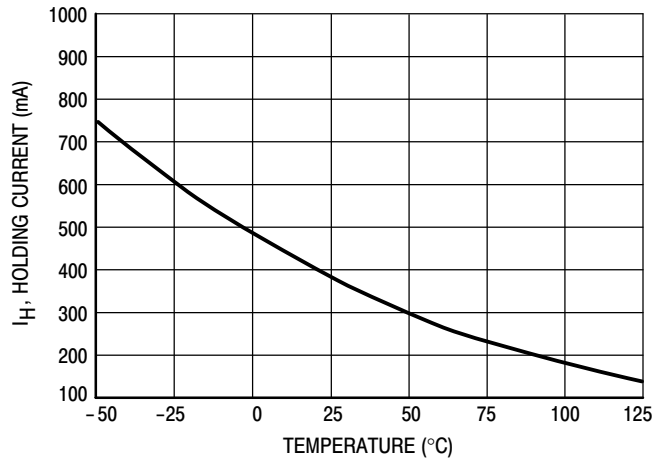


Figure 4. Holding Current versus Temperature

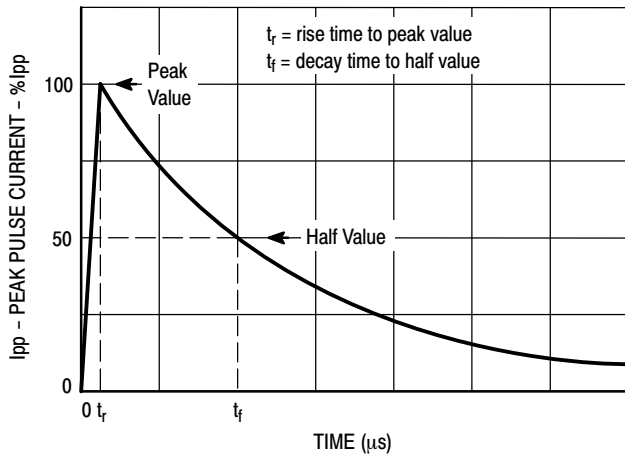


Figure 5. Exponential Decay Pulse Waveform

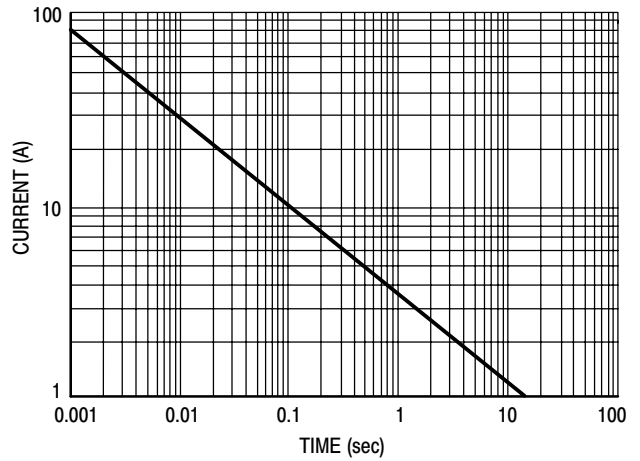
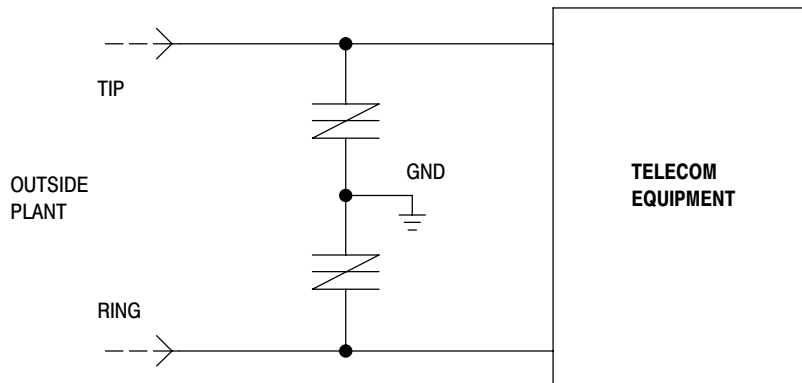
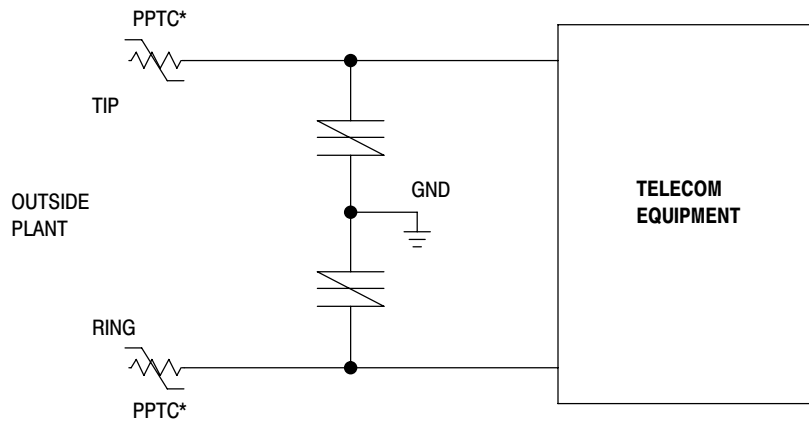


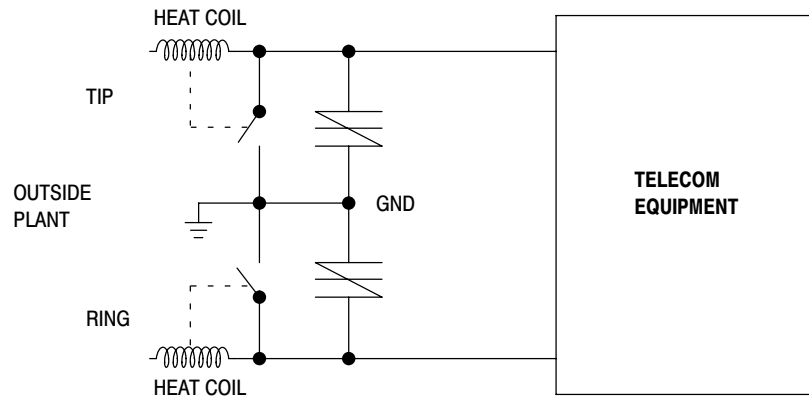
Figure 6. Peak Surge On-State Current versus Surge Current Duration, Sinusoidal Waveform



MMT05B230T3, MMT05B260T3, MMT05B310T3



*Polymeric PTC (positive temperature coefficient) overcurrent protection device



ORDERING INFORMATION

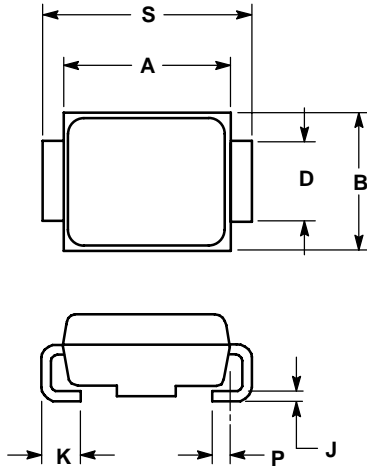
| Device | Package | Shipping [†] |
|--------------|------------------|-----------------------|
| MMT05B230T3 | SMB | 2500 / Tape & Reel |
| MMT05B230T3G | SMB (Pb-Free) | |
| MMT05B260T3 | SMB | |
| MMT05B260T3G | SMB (Pb-Free) | |
| MMT05B310T3 | SMB | |
| MMT05B310T3G | SMB (Pb-Free) | |

[†]For information on tape and reel specifications, including part orientation and tape sizes, please refer to our Tape and Reel Packaging Specifications Brochure, BRD8011/D.

MMT05B230T3, MMT05B260T3, MMT05B310T3

PACKAGE DIMENSIONS

SMB
(No Polarity)
(Essentially JEDEC DO-214AA)
CASE 403C-01
ISSUE A

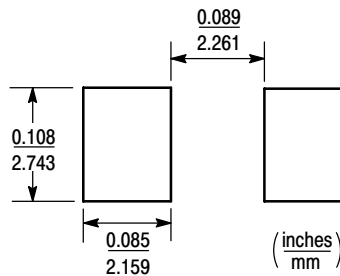


NOTES:

1. DIMENSIONING AND TOLERANCING PER ANSI Y14.5M, 1982.
2. CONTROLLING DIMENSION: INCH.
3. D DIMENSION SHALL BE MEASURED WITHIN DIMENSION P.

| DIM | INCHES | | MILLIMETERS | |
|-----|-----------|--------|-------------|-------|
| | MIN | MAX | MIN | MAX |
| A | 0.160 | 0.180 | 4.06 | 4.57 |
| B | 0.130 | 0.150 | 3.30 | 3.81 |
| C | 0.075 | 0.095 | 1.90 | 2.41 |
| D | 0.077 | 0.083 | 1.96 | 2.11 |
| H | 0.0020 | 0.0060 | 0.051 | 0.152 |
| J | 0.006 | 0.012 | 0.15 | 0.30 |
| K | 0.030 | 0.050 | 0.76 | 1.27 |
| P | 0.020 REF | | 0.51 REF | |
| S | 0.205 | 0.220 | 5.21 | 5.59 |

SOLDERING FOOTPRINT*



*For additional information on our Pb-Free strategy and soldering details, please download the ON Semiconductor Soldering and Mounting Techniques Reference Manual, SOLDERRM/D.

ON Semiconductor and are registered trademarks of Semiconductor Components Industries, LLC (SCILLC). SCILLC reserves the right to make changes without further notice to any products herein. SCILLC makes no warranty, representation or guarantee regarding the suitability of its products for any particular purpose, nor does SCILLC assume any liability arising out of the application or use of any product or circuit, and specifically disclaims any and all liability, including without limitation special, consequential or incidental damages. "Typical" parameters which may be provided in SCILLC data sheets and/or specifications can and do vary in different applications and actual performance may vary over time. All operating parameters, including "Typicals" must be validated for each customer application by customer's technical experts. SCILLC does not convey any license under its patent rights nor the rights of others. SCILLC products are not designed, intended, or authorized for use as components in systems intended for surgical implant into the body, or other applications intended to support or sustain life, or for any other application in which the failure of the SCILLC product could create a situation where personal injury or death may occur. Should Buyer purchase or use SCILLC products for any such unintended or unauthorized application, Buyer shall indemnify and hold SCILLC and its officers, employees, subsidiaries, affiliates, and distributors harmless against all claims, costs, damages, and expenses, and reasonable attorney fees arising out of, directly or indirectly, any claim of personal injury or death associated with such unintended or unauthorized use, even if such claim alleges that SCILLC was negligent regarding the design or manufacture of the part. SCILLC is an Equal Opportunity/Affirmative Action Employer. This literature is subject to all applicable copyright laws and is not for resale in any manner.

PUBLICATION ORDERING INFORMATION

LITERATURE FULFILLMENT:
Literature Distribution Center for ON Semiconductor
P.O. Box 5163, Denver, Colorado 80217 USA
Phone: 303-675-2175 or 800-344-3860 Toll Free USA/Canada
Fax: 303-675-2176 or 800-344-3867 Toll Free USA/Canada
Email: orderlit@onsemi.com

N. American Technical Support: 800-282-9855 Toll Free
USA/Canada
Europe, Middle East and Africa Technical Support:
Phone: 421 33 790 2910
Japan Customer Focus Center
Phone: 81-3-5773-3850

ON Semiconductor Website: www.onsemi.com
Order Literature: <http://www.onsemi.com/orderlit>

For additional information, please contact your local Sales Representative

Mouser Electronics

Authorized Distributor

Click to View Pricing, Inventory, Delivery & Lifecycle Information:

[ON Semiconductor:](#)

[MMT05B230T3](#) [MMT05B230T3G](#) [MMT05B260T3](#) [MMT05B260T3G](#) [MMT05B310T3](#) [MMT05B310T3G](#)