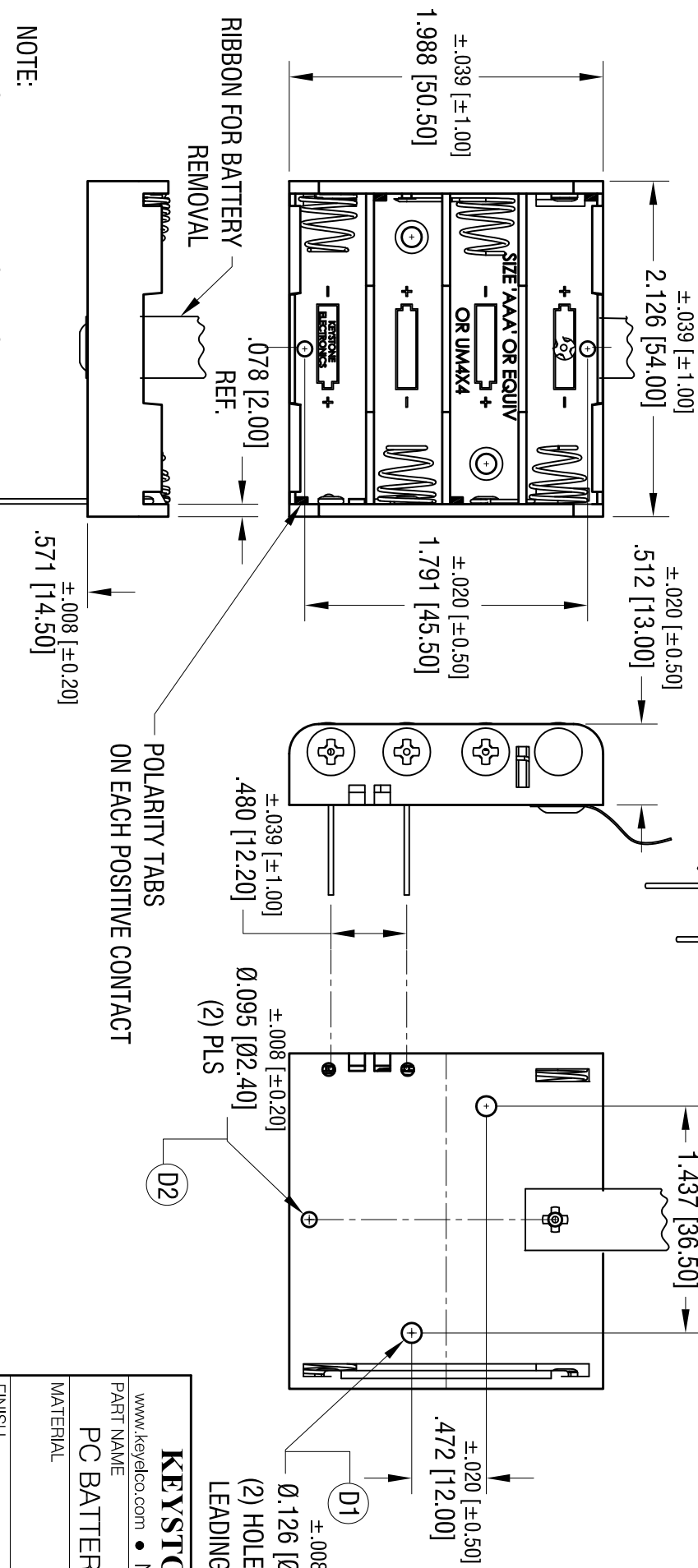
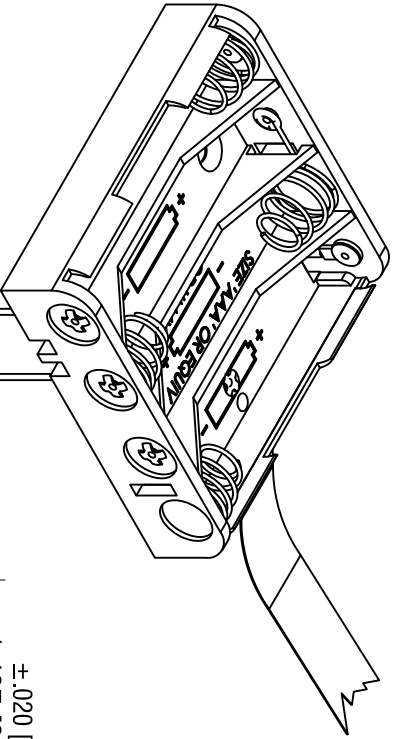
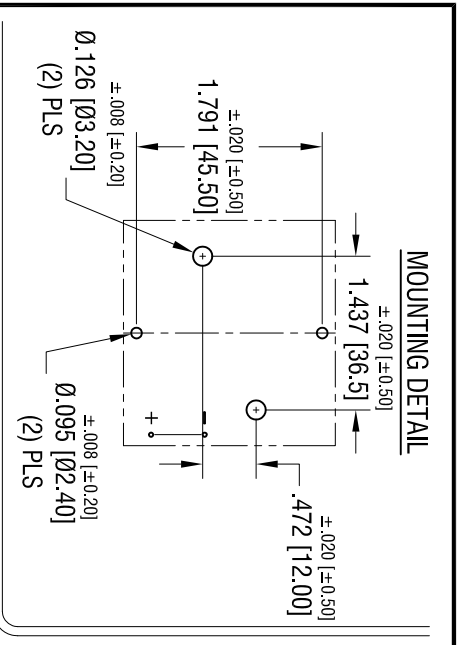


DATE	DESCRIPTION	REV.
1.16.07	CHANGE AS PER ECN 07-004	A
3.29.12	CHANGE AS PER ECN 12-040	B
10.24.18	CHANGE AS PER ECN 18-043	C
6.27.22	CHANGE AS PER ECN 22-104 D1 WAS .126, D2 WAS .087	D
5.6.24	UPDATE DIMENSIONS TO MATCH PRODUCTION	E



- NOTE:
1. HOLDER: MAT'L: POLYPROPYLENE
 2. SPRING: MAT'L: MUSIC WIRE, .024 [0.60] DIA.
 3. PC TERMINALS: MAT'L: BRASS, .032 [0.81] DIA.
 4. RIBBON: MAT'L: NYLON, RED, 5.50 [139.62] REF. LONG

POLARITY TABS
ON EACH POSITIVE CONTACT

D1 ±.008 [±0.20]
D2 0.126 [Ø3.20]
(2) HOLE WITH
LEADING CHAMFER

KEYSTONE ELECTRONICS CORP.

www.keystone.com • NEW HYDE PARK, NY 11040 • Tel (516) 328-7500

PART NAME

PC BATTERY HOLDER (4) 'AAA' W/ RIBBON

MATERIAL

AS NOTED

FINISH

NICKEL PLATE

TOLERANCES	INCH	[MM]	CODE	DRN BY	DATE
DECIMAL	± 0.15	[± 0.38]	C	BOONE	12.01.03
ANGULAR	± 1°			MR	SCALE 1X

2481RB

THIS DOCUMENT IS THE PROPERTY OF
KEYSTONE ELECTRONICS CORP. AND
SHALL NOT BE REPRODUCED, DISTRIBUTED
OR USED AS A BASIS FOR MANUFACTURE
WITHOUT PRIOR WRITTEN PERMISSION
FROM KEYSTONE ELECTRONICS CORP.