

Product data sheet

Specifications



round red illuminated pushbutton Ø16-flush spring return-12 VDC polarised-2CO

XB6EAW4J2P

⚠ Discontinued on: Jan 23, 2021

⚠ Discontinued

Main

| | |
|-------------------------------|--|
| Range of Product | Harmony XB6E |
| Product or Component Type | Illuminated monolithic push-button |
| Device short name | XB6E |
| Bezel material | Plastic |
| Mounting diameter | 0.6 in (16 mm) |
| Sale per indivisible quantity | 5 |
| Shape of signaling unit head | Round |
| Type of operator | spring return |
| Operator profile | Red flush |
| Contacts type and composition | 2 C/O |
| Contact operation | Snap action |
| Connections - terminals | Insulated faston 2.8 x 0.5 mm Solder terminal <= 0.75 mm ² AWG 19 Fast connector socket |
| Contacts material | Gold-flashed silver |
| Light source | Integral LED |
| [Us] rated supply voltage | 12 V DC polarised |

Complementary

| | |
|---|---|
| Net Weight | 0.013 lb(US) (0.006 kg) |
| Operating position | Any position |
| marking | CE |
| Mechanical durability | 1000000 cycles |
| Contact resistance | 50 mOhm 1/6 V |
| Short-circuit protection | 2 A cartridge fuse gG |
| [Ith] conventional free air thermal current | 3 A fast connector socket) 5 A |
| [Ie] rated operational current | 1.5 A 120 V, AC-12 EN/IEC 60947-5-1 1 A 240 V, AC-12 EN/IEC 60947-5-1 1 A 24 V, DC-12 EN/IEC 60947-5-1 0.7 A 24 V, DC-13 EN/IEC 60947-5-1 0.2 A 125 V, DC-12 EN/IEC 60947-5-1 0.15 A 125 V, DC-13 EN/IEC 60947-5-1 |
| Electrical durability | 100000 cycles, AC, 0.7 A 220 V EN/IEC 60947-5-1 appendix C |

Price is "List Price" and may be subject to a trade discount – check with your local distributor or retailer for actual price.

| | |
|----------------------------|---------|
| Signalling type | Steady |
| Current Consumption | 10 mA |
| Service life | 30000 h |

Environment

| | |
|--|--|
| Ambient Air Temperature for Storage | -40.0000000000...158.0000000000 °F (-40...70 °C) |
| Ambient Air Temperature for Operation | 14.0000000000...131.0000000000 °F (-10...55 °C) |
| IP degree of protection | IP65 IEC 60529 |
| Standards | JIS C 852 JIS C 4520 IEC 60947-1 UL 508 IEC 60947-5-1 CSA C22.2 No 14 |
| Product Certifications | CCC cURus |
| Vibration resistance | 1 mm 10...55 Hz IEC 60068-2-6 |
| Shock resistance | 10 gn 11 ms) half sine wave acceleration IEC 60068-2-27 |

Ordering and shipping details

| | |
|--------------------------|-------------------------|
| Category | 22459-PUSHBUTTONS, 16MM |
| Discount Schedule | CS2 |
| GTIN | 03389110624892 |
| Returnability | No |
| Country of origin | CN |

Contractual warranty

| | |
|-----------------|-----------|
| Warranty | 18 months |
|-----------------|-----------|

Sustainability

Green Premium™ label is Schneider Electric's commitment to delivering products with best-in-class environmental performance. Green Premium promises compliance with the latest regulations, transparency on environmental impacts, as well as circular and low-CO₂ products.

Guide to assessing product sustainability is a white paper that clarifies global eco-label standards and how to interpret environmental declarations.

[Learn more about Green Premium >](#)

[Guide to assess a product's sustainability >](#)

Well-being performance

✓ Reach Free Of Svhc

✓ Mercury Free

✓ Rohs Exemption Information [Yes](#)

Eu Rohs Directive Pro-active compliance (Product out of EU RoHS legal scope)

China Rohs Regulation [China RoHS declaration](#)

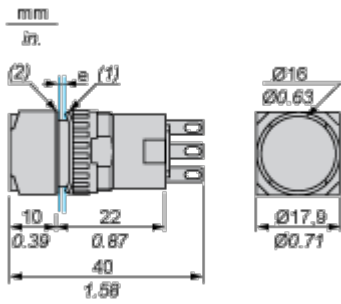
Weee The product must be disposed on European Union markets following specific waste collection and never end up in rubbish bins.

California Proposition 65 WARNING: This product can expose you to chemicals including: Nickel compounds, which is known to the State of California to cause cancer, and Di-isodecyl phthalate (DIDP), which is known to the State of California to cause birth defects or other reproductive harm. For more information go to www.P65Warnings.ca.gov

Dimensions Drawings

Pushbutton

Circular Head



(1) Anti-rotation plate (thickness: 0.6 mm / 0.02 in.)

(2) Seal (thickness: 0.5 mm / 0.01 in.)

e panel thickness: 0.5 mm (0.01 in.) ≤ e ≤ 6 mm (0.24 in.)

Mounting and Clearance

Panel Cut-Out and Mounting

Circular or Square Head

