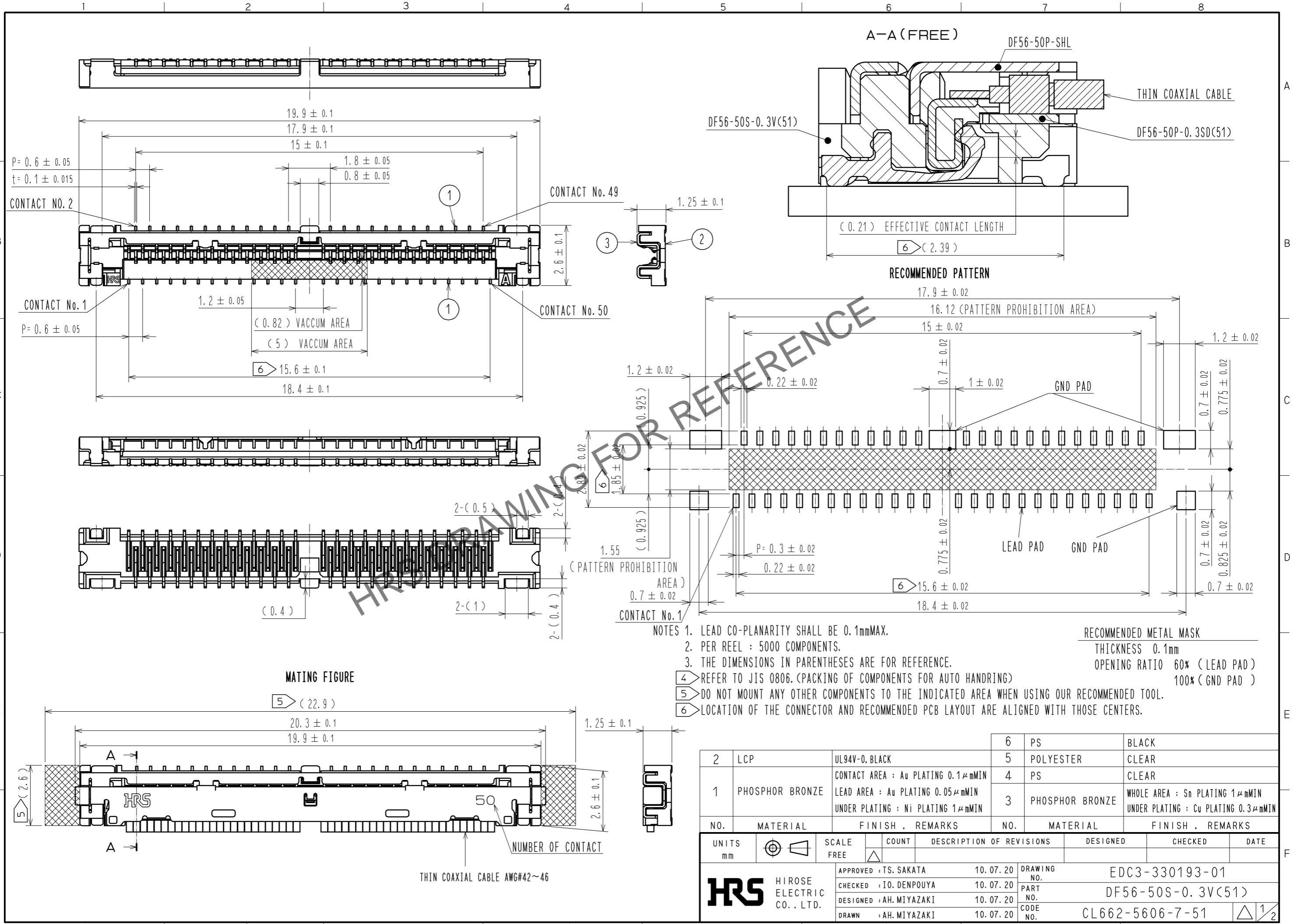


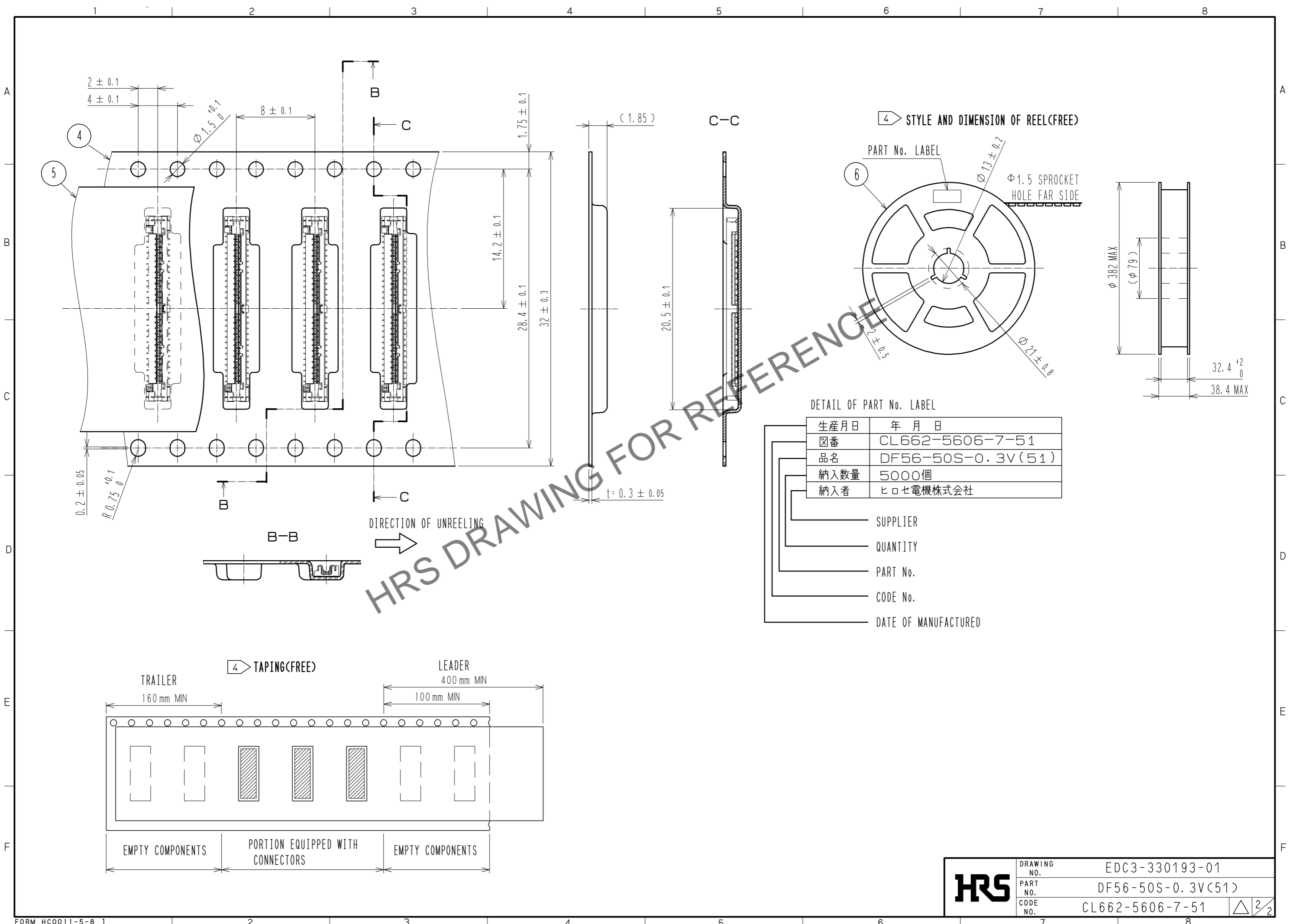
Jun.1.2024 Copyright 2024 HIROSE ELECTRIC CO., LTD. All Rights Reserved.
 In case of consideration for using Automotive equipment / device which demand high reliability, kindly contact our sales window correspondents.



NO.	MATERIAL	FINISH	REMARKS	NO.	MATERIAL	FINISH	REMARKS
2	LCP	UL94V-0, BLACK		6	PS	BLACK	
1	PHOSPHOR BRONZE	CONTACT AREA : Au PLATING 0.1μmMIN		5	POLYESTER	CLEAR	
		LEAD AREA : Au PLATING 0.05μmMIN UNDER PLATING : Ni PLATING 1μmMIN		4	PS	CLEAR	
				3	PHOSPHOR BRONZE	WHOLE AREA : Sn PLATING 1μmMIN UNDER PLATING : Cu PLATING 0.3μmMIN	

UNITS	SCALE	COUNT	DESCRIPTION OF REVISIONS	DESIGNED	CHECKED	DATE
mm	FREE	△				
APPROVED : TS. SAKATA			10.07.20	DRAWING NO. EDC3-330193-01		
CHECKED : IO. DENPOUYA			10.07.20	PART NO. DF56-50S-0.3V(51)		
DESIGNED : AH. MIYAZAKI			10.07.20	CODE NO. CL662-5606-7-51		
DRAWN : AH. MIYAZAKI			10.07.20	1/2		

Jun.1.2024 Copyright 2024 HIROSE ELECTRIC CO., LTD. All Rights Reserved.
 In case of consideration for using Automotive equipment / device which demand high reliability, kindly contact our sales window correspondents.



HRS	DRAWING NO.	EDC3-330193-01
	PART NO.	DF56-50S-0.3V(51)
	CODE NO.	CL662-5606-7-51
		△ 2/2