

VS-BU-KX-75-RG179/187 - D-SUB coaxial contact



1655616

<https://www.phoenixcontact.com/us/products/1655616>

Please be informed that the data shown in this PDF document is generated from our online catalog. Please find the complete data in the user documentation. Our general terms of use for downloads are valid.



Coaxial contact, for D-SUB combination inserts, solder cup, socket, straight, for cable RG 179/187, gold-plated

Commercial data

Item number	1655616
Packing unit	10 pc
Minimum order quantity	10 pc
Sales key	BF62
Product key	BF7ACZ
Catalog page	Page 325 (PC-2009)
GTIN	4046356029506
Weight per piece (including packing)	1.812 g
Weight per piece (excluding packing)	1.812 g
Customs tariff number	85366910
Country of origin	CZ

VS-BU-KX-75-RG179/187 - D-SUB coaxial contact



1655616

<https://www.phoenixcontact.com/us/products/1655616>

Technical data

Product properties

Product type	Solder contact
Series	HC-M-04-KOAX
Type	Individual female contact
Contact material type	turned

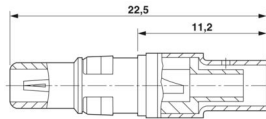
Electrical properties

Rated voltage (III/3)	250 V
Rated current	2 A
Insulation resistance	10 TΩ
Wave impedance	75 Ω

Connection data

Connection method	Solder cup
-------------------	------------

Dimensions

Dimensional drawing	
Length	23 mm

Mechanical characteristics

Contact diameter	4.8 mm
------------------	--------

Material specifications

Contact material	Copper alloy
Contact surface material	Hard gold-plated over nickel

Cable/line

External cable diameter	3.2 mm
Wave impedance	75 Ω

Mechanical properties

Mechanical data

Insertion/withdrawal cycles	≥ 500
Insertion force per signal contact	≤ 7.00 N
Extraction force per signal contact	≤ 7 N

Environmental and real-life conditions

Ambient conditions

VS-BU-KX-75-RG179/187 - D-SUB coaxial contact



1655616

<https://www.phoenixcontact.com/us/products/1655616>

Ambient temperature (operation)

-55 °C ... 135 °C

VS-BU-KX-75-RG179/187 - D-SUB coaxial contact

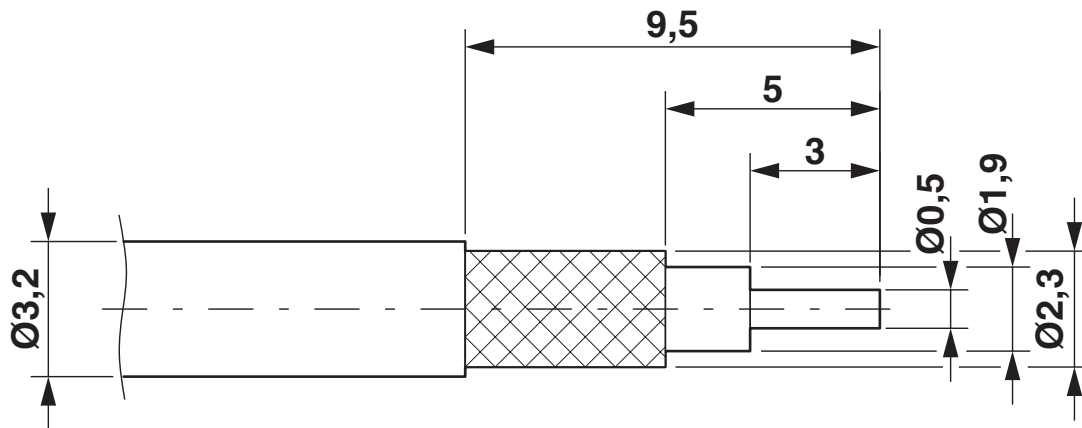


1655616

<https://www.phoenixcontact.com/us/products/1655616>

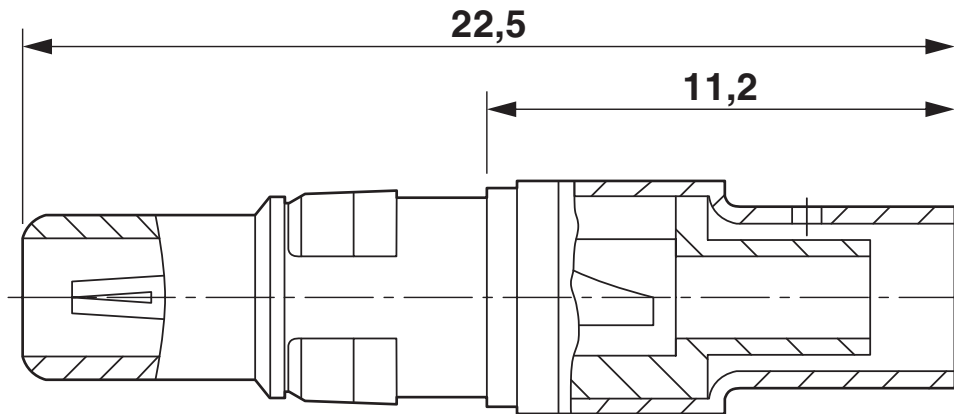
Drawings

Dimensional drawing



Cable connection

Dimensional drawing



D-SUB coaxial contact socket

VS-BU-KX-75-RG179/187 - D-SUB coaxial contact



1655616

<https://www.phoenixcontact.com/us/products/1655616>

Classifications

ECLASS

ECLASS-11.0	27440204
ECLASS-12.0	27440204
ECLASS-13.0	27440204

ETIM

ETIM 9.0	EC000796
----------	----------

UNSPSC

UNSPSC 21.0	39121500
-------------	----------

1655616

<https://www.phoenixcontact.com/us/products/1655616>

Environmental product compliance

EU RoHS

Fulfills EU RoHS substance requirements	Yes
Exemption	6(c)

China RoHS

Environment friendly use period (EFUP)	EFUP-50
	An article-related China RoHS declaration table can be found in the download area for the respective article under "Manufacturer declaration". For all articles with EFUP-E, no China RoHS declaration table issued and required.

EU REACH SVHC

REACH candidate substance (CAS No.)	Lead(CAS: 7439-92-1)
SCIP	5ba5d5e0-8e66-43be-894c-2d876964c6f4

VS-BU-KX-75-RG179/187 - D-SUB coaxial contact



1655616

<https://www.phoenixcontact.com/us/products/1655616>

Accessories

HC-M4-KOAX-EWZ - Contact removal tool

1676747

<https://www.phoenixcontact.com/us/products/1676747>

Contact removal tool for coaxial contacts



VS-ST-KX-75-RG179/187 - D-SUB coaxial contact

1655629

<https://www.phoenixcontact.com/us/products/1655629>

Coaxial contact, for D-SUB combination inserts, solder cup, pin, straight, for cable RG 179/187, gold-plated



Phoenix Contact 2024 © - all rights reserved

<https://www.phoenixcontact.com>

Phoenix Contact USA
586 Fulling Mill Road
Middletown, PA 17057, United States
(+717) 944-1300
info@phoenixcon.com