

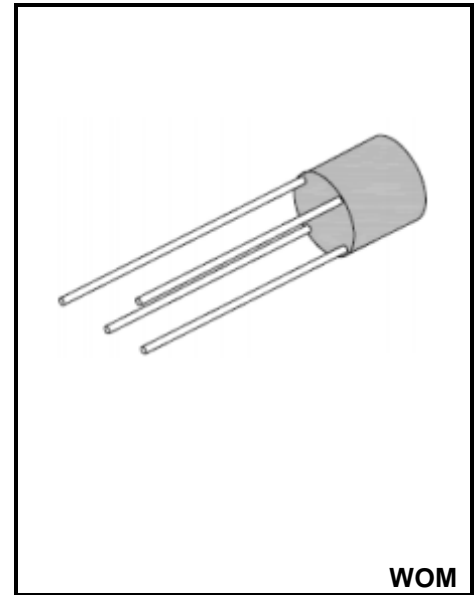
**2A SINGLE-PHASE GLASS PASSIVATED
BRIDGE RECTIFIER**

Voltage - 50 to 1000 V

Forward Current – 2 A

FEATURES

- ◆ High current capability
- ◆ Low forward voltage drop
- ◆ Glass Passivated Chip Junction
- ◆ High temperature soldering guaranteed:
260°C for 10 seconds
- ◆ Lead free in comply with EU RoHS 2011/65/EU directives



MECHANICAL DATA

- ◆ Case: WOM
- ◆ Terminals: Solderable per MIL-STD-202, Method 208
- ◆ Approx. Weight: 1.3g

Maximum Ratings and Electrical characteristics

Ratings at 25 °C ambient temperature unless otherwise specified.

Parameter	Symbols	2W005	2W01	2W02	2W04	2W06	2W08	2W10	Units
Maximum Repetitive Peak Reverse Voltage	V_{RRM}	50	100	200	400	600	800	1000	V
Maximum RMS voltage	V_{RMS}	35	70	140	280	420	560	700	V
Maximum DC Blocking Voltage	V_{DC}	50	100	200	400	600	800	1000	V
Maximum Average Forward Rectified Current .375"(9.5mm) Lead Length at TA=50°C	$I_{(AV)}$	2.0							A
Peak Forward Surge Current 8.3 ms Single Half Sine-Wave Superimposed on Rated Load (JEDEC method)	I_{FSM}	50							A
Maximum Forward Voltage at 2.0A DC and 25°C	V_F	1.1							V
Maximum Reverse Current at TA=25°C at Rated DC Blocking Voltage TA=100°C	I_R	5.0 500							μA
Typical Junction Capacitance ^(Note1)	C_j	40				20			pF
Typical Thermal Resistance ^(Note2)	$R_{\theta JA}$ $R_{\theta JL}$					40 15			°C/W
Operating and Storage Temperature Range	T_j, T_{stg}	-55 ~ +150							°C

(1) Measured at 1 MHz and applied reverse voltage of 4 V D.C

(2) Thermal Resistance Junction to Ambient and form junction to lead at 0.375"(9.5mm) lead length P.C.B. Mounted.

RATINGS AND CHARACTERISTIC CURVES

FIG.1- MAXIMUM NON-REPETITIVE FORWARD SURGE CURRENT PER BRIDGE ELEMENT

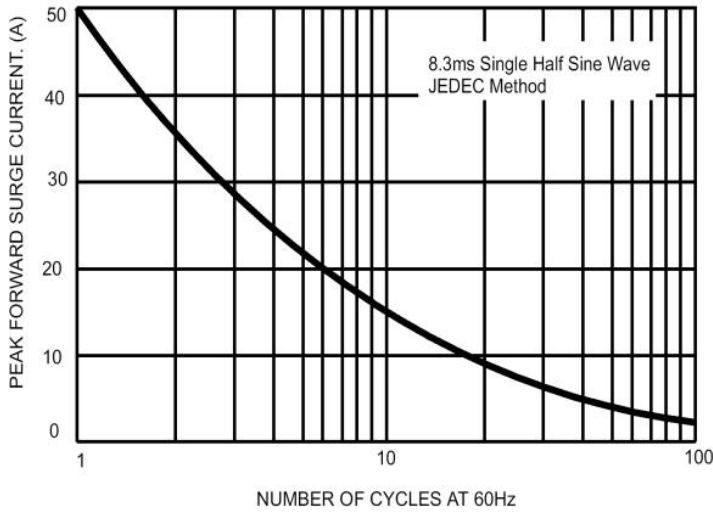


FIG.2- MAXIMUM CURRENT DERATING CURVE OUTPUT RECTIFIED CURRENT

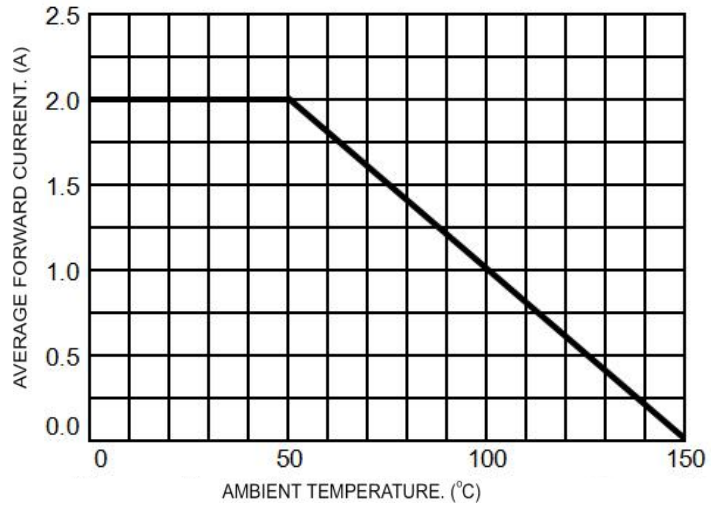


FIG.3- TYPICAL INSTANTANEOUS FORWARD CHARACTERISTICS PER BRIDGE ELEMENT

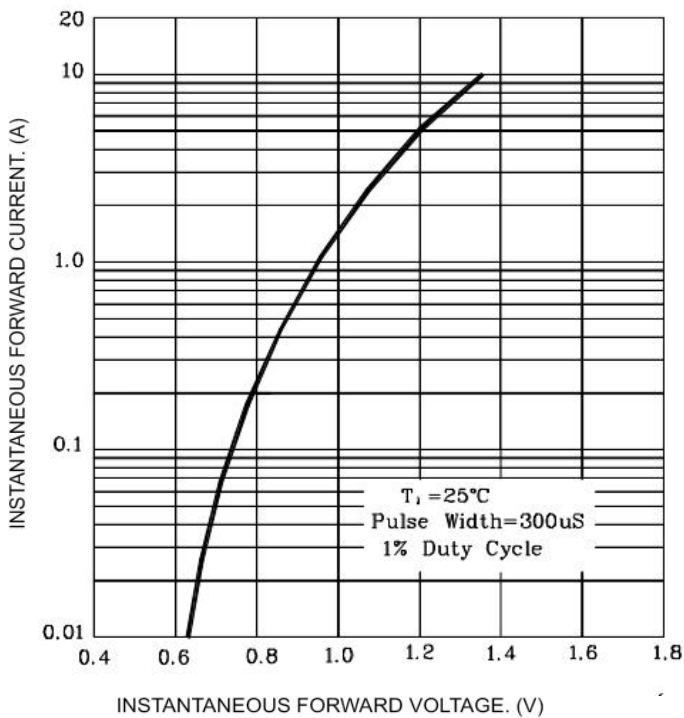
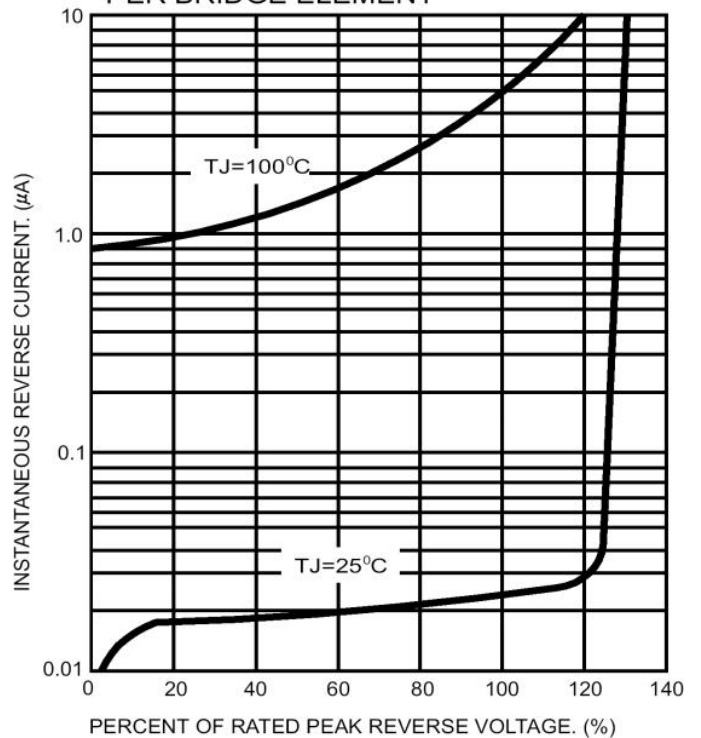
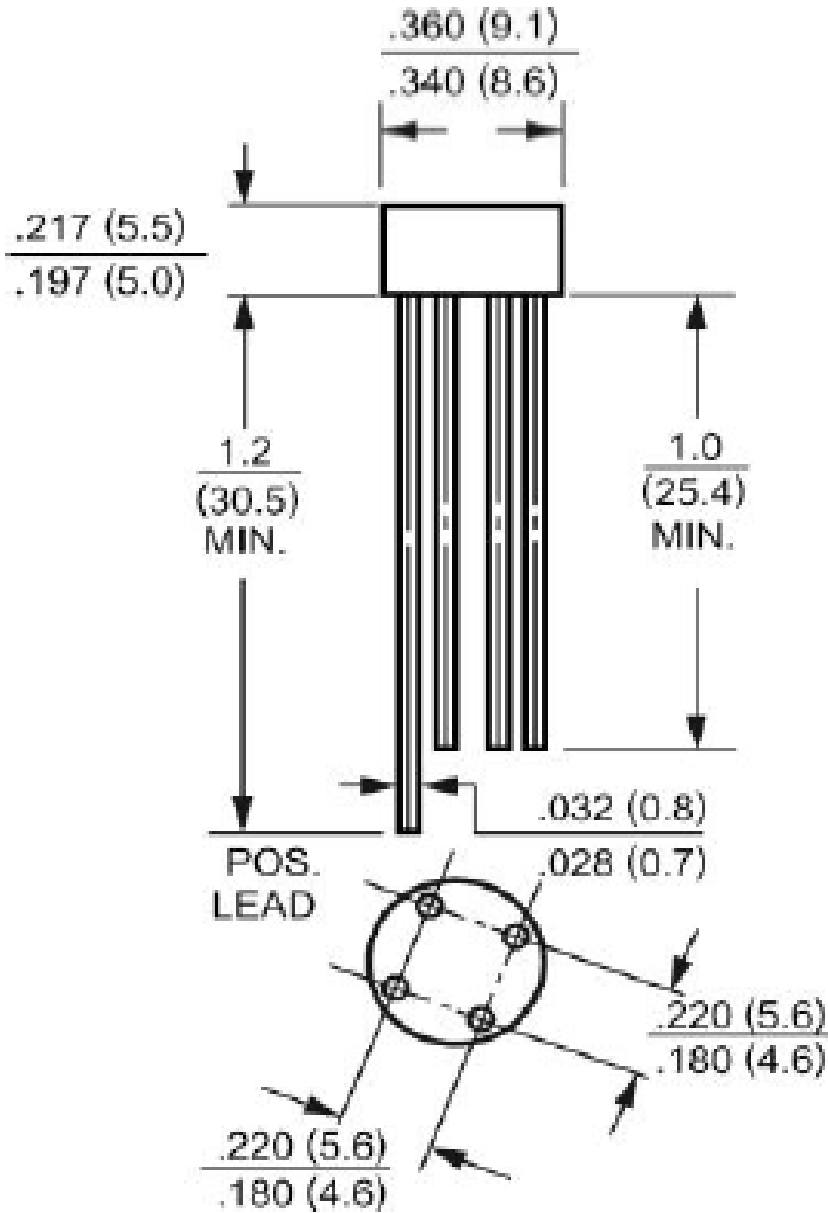


FIG.4- TYPICAL REVERSE CHARACTERISTICS PER BRIDGE ELEMENT





Summary of Packing Options

Package	Package Description	Packing Quantity	Industry Standard
WOM	BOX	500	EIA-481-1