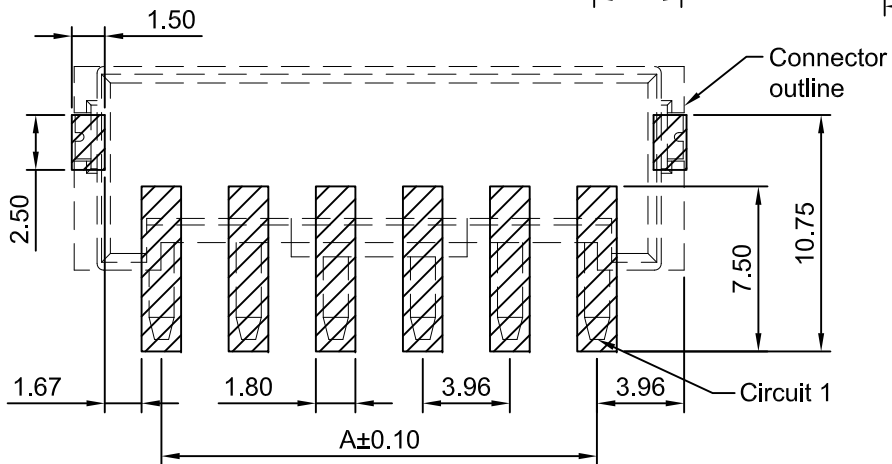


SPECIFICATIONS:

Current Rating: 10A AC,DC(AWG #16)
 Voltage Rating: 250V AC,DC
 Temperature Range: -40°C ~ +105°C
 Contact Resistance: 10mΩ Max
 Insulation Resistance: 1000MΩ Min
 Withstanding Voltage: 1500V AC/minute
 Pin Material: Brass/Tin over Nickel
 Solder Tabs: Phosphor Bronze/Tin over Nickel
 Material: Nylon 9T,UL94V-0 (Ivory)

Ordering Information & Dimensions

Circuits	Dimensions(mm)		Circuits	Dimensions(mm)	
	A	B		A	B
2P	3.96	11.88	7P	23.76	31.68
3P	7.92	15.84	8P	27.72	35.64
4P	11.88	19.80	9P	31.68	39.60
5P	15.84	23.76	10P	35.64	43.56
6P	19.80	27.72			



P.C.B LAYOUT
 TOLERANCE:±0.05

REV	DESCRIPTION	DATE
A2	CHANGE THE DRAWING	2022.08.05
A1	CHANGE THE DRAWING	2021.02.01
A0	NEW RELEASE	2014.05.21

CJTconn CHANGJIANG CONNECTORS CO.,LTD.

Unit	Scale	Sheet	TITLE
mm	3:1	1 of 1	3.96mm PITCH VERTICAL WAFER - SMT TYPE
DRAWN	CHK'D	APPR	
Halsen LI	Dlankul Wan	Jack Yin	DRAWING NO.
General Tolerances			THIRD ANGLE PROJECTION
x,xx±0.25 x,xxx±0.20 x,xxxx±0.15 ANGLES ±1°			REV
			A2

A3963WVD-S-XP