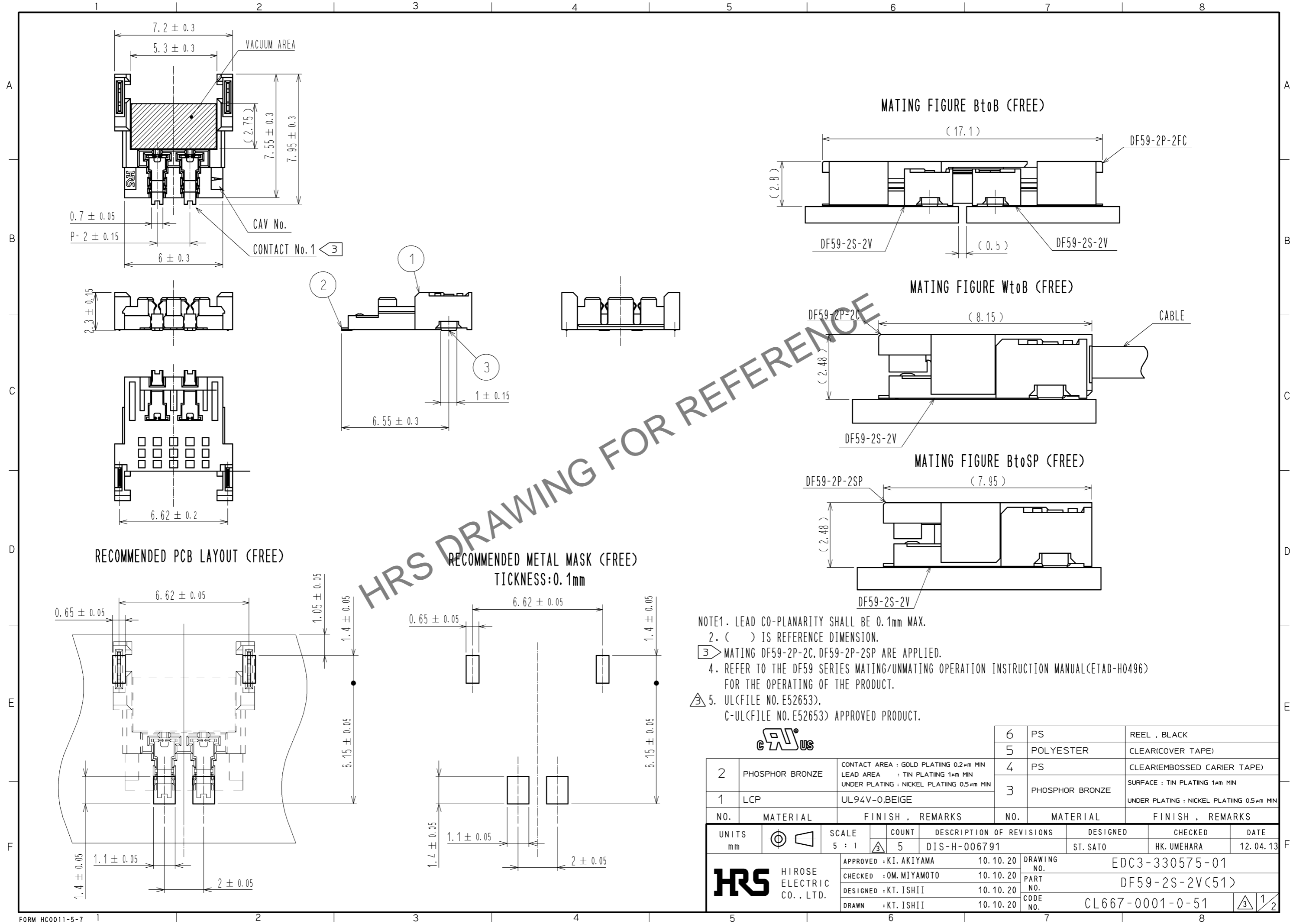


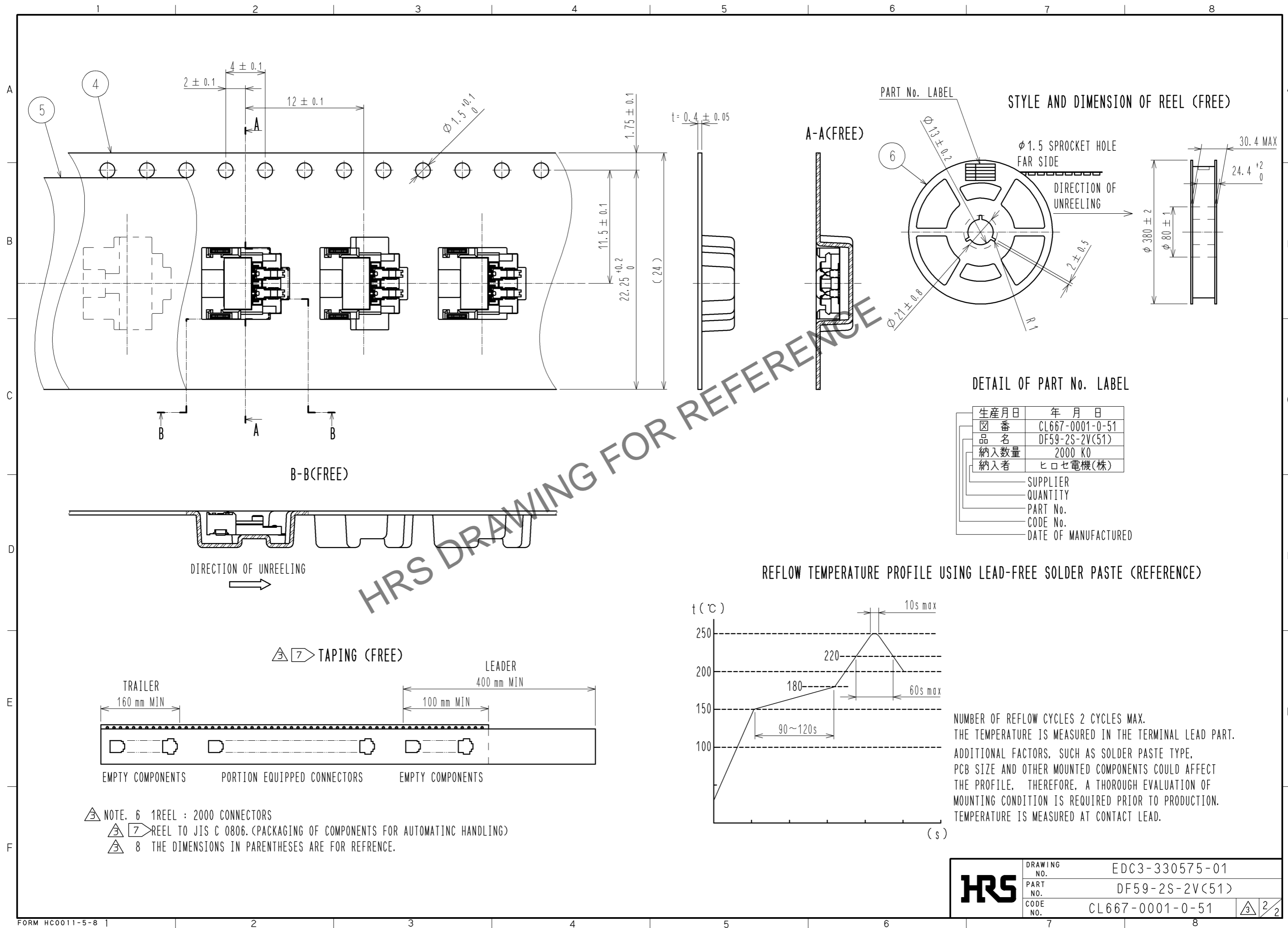
Jun.1.2024 Copyright 2024 HIROSE ELECTRIC CO., LTD. All Rights Reserved.  
In case of consideration for using Automotive equipment / device which demand high reliability, kindly contact our sales window correspondents.



- NOTE1. LEAD CO-PLANARITY SHALL BE 0.1mm MAX.  
 2. ( ) IS REFERENCE DIMENSION.  
 3. MATING DF59-2P-2C, DF59-2P-2SP ARE APPLIED.  
 4. REFER TO THE DF59 SERIES MATING/UNMATING OPERATION INSTRUCTION MANUAL(ETAD-H0496) FOR THE OPERATING OF THE PRODUCT.  
 5. UL(FILE NO. E52653).  
 C-UL(FILE NO. E52653) APPROVED PRODUCT.

HRS		6 PS REEL, BLACK	
2 PHOSPHOR BRONZE		5 POLYESTER CLEAR(COVER TAPE)	
1 LCP		4 PS CLEAR(EMBOSSED CARRIER TAPE)	
CONTACT AREA : GOLD PLATING 0.2µm MIN LEAD AREA : TIN PLATING 1µm MIN UNDER PLATING : NICKEL PLATING 0.5µm MIN		3 PHOSPHOR BRONZE SURFACE : TIN PLATING 1µm MIN UNDER PLATING : NICKEL PLATING 0.5µm MIN	
NO.	MATERIAL	FINISH	REMARKS
UNITS	mm	SCALE	5 : 1
COUNT	5	DESCRIPTION OF REVISIONS	DIS-H-006791
DESIGNED	ST. SATO	CHECKED	HK. UMEHARA
DATE	12.04.13	DRAWING NO.	EDC3-330575-01
APPROVED	KI. AKIYAMA	10.10.20	PART NO.
CHECKED	OM. MIYAMOTO	10.10.20	DF59-2S-2V(51)
DESIGNED	KT. ISHII	10.10.20	CODE NO.
DRAWN	KT. ISHII	10.10.20	CL667-0001-0-51

Jun.1.2024 Copyright 2024 HIROSE ELECTRIC CO., LTD. All Rights Reserved.  
 In case of consideration for using Automotive equipment / device which demand high reliability, kindly contact our sales window correspondents.



HRS DRAWING FOR REFERENCE

<b>HRS</b>	DRAWING NO.	EDC3-330575-01
	PART NO.	DF59-2S-2V(51)
	CODE NO.	CL667-0001-0-51
		△ 2/2