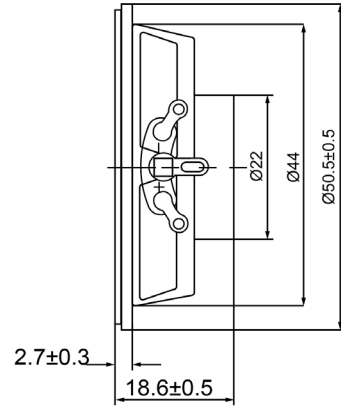
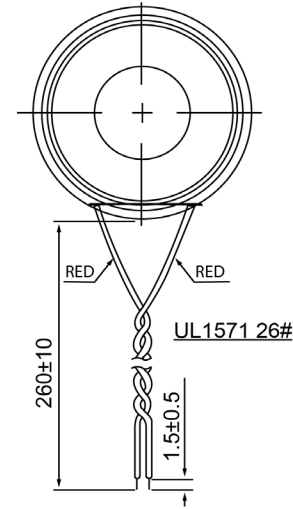



SIDE VIEW



BOTTOM VIEW



Specifications			Notes	Revision History						
Description	Value	Unit		Version	Description		Date	Approved		
Shape	Round		1) All dimensions are in mm unless otherwise noted 2) All parts meet RoHS  DB UNLIMITED	1	Released from Engineering		10/21/2013	J.S		
Resonant Frequency	190	(Hz)								
Frequency Range	190 ~ 18,000	(Hz)								
SPL @ 10cm	86	(dBA)								
Impedance	8	(Ohm)								
Cone Material	Paper									
Nominal Power	1.5	(W)								
Max Power	2	(W)								
Mount Type	Flush Mount									
Operating Temperature	-30 ~ +60	°C								
Storage Temperature	-30 ~ +60	°C								
Weight	29	(g)								
				Drawn by: A.B. Date: 10/21/2013 Checked by: C.E. Date: 10/21/2013 Approved by: J.S Date: 10/21/2013						
				Dynamic Speaker			SP500108-1			