

# 2081377-3 ✓ ACTIVE

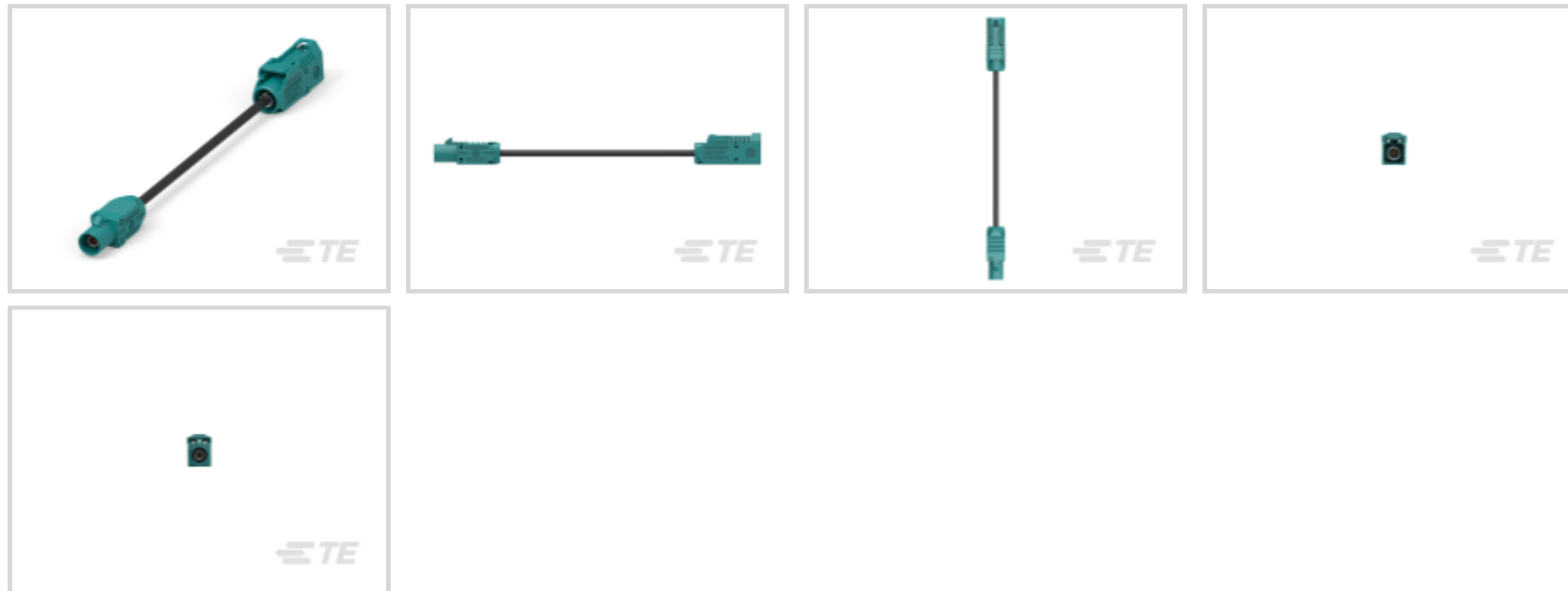
TE Internal #: 2081377-3

FAKRA Cable Assembly, 1 m, Black Cable, 0 – 6 GHz Operating Frequency, 50 ohm, PVC, 2.8 mm [.11 in] Diameter, FAKRA Plug, FAKRA Jack, RG-174LL

[View on TE.com >](#)



Cable Assemblies > RF Cable Assemblies



Cable Assembly (End A): **FAKRA Plug**

Cable Assembly (End B): **FAKRA Jack**

Cable Assembly Length: **1 m**

Coax Cable Type: **RG-174LL**

Impedance: **50 Ω**

## Features

### Product Type Features

Cable Assembly (End A)	FAKRA Plug
Cable Assembly (End B)	FAKRA Jack
Coax Cable Type	RG-174LL
Cable Assembly Type	FAKRA

### Electrical Characteristics

Impedance	50 Ω
-----------	------

### Body Features

Jacket Material	PVC
Cable Color	Black

### Dimensions

Outside Cable Diameter	2.8 mm [.11 in]
------------------------	-----------------

### Operation/Application

Operating Frequency	0 – 6 GHz
---------------------	-----------

### Other



Cable Assembly Length	1 m
-----------------------	-----

### Product Compliance


[For compliance documentation, visit the product page on TE.com>](#)

EU RoHS Directive 2011/65/EU	Compliant
EU ELV Directive 2000/53/EC	Compliant
China RoHS 2 Directive MIIT Order No 32, 2016	No Restricted Materials Above Threshold
EU REACH Regulation (EC) No. 1907/2006	Current ECHA Candidate List: JUNE 2024 (241) Candidate List Declared Against: JAN 2024 (240) Does not contain REACH SVHC
Halogen Content	Not Low Halogen - contains Br or Cl > 900 ppm.
Solder Process Capability	Not reviewed for solder process capability

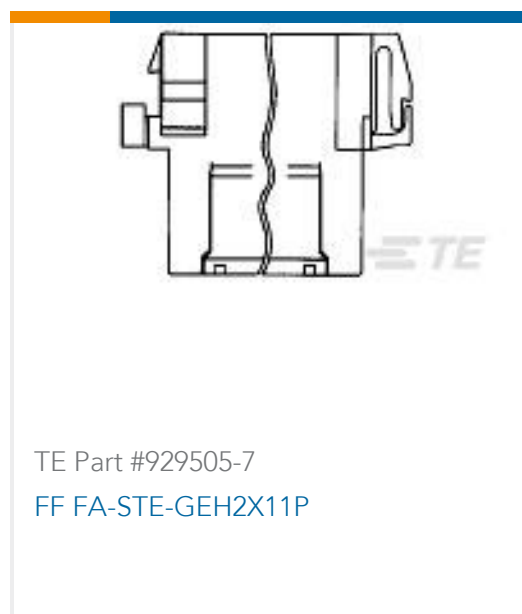
#### Product Compliance Disclaimer

This information is provided based on reasonable inquiry of our suppliers and represents our current actual knowledge based on the information they provided. This information is subject to change. The part numbers that TE has identified as EU RoHS compliant have a maximum concentration of 0.1% by weight in homogenous materials for lead, hexavalent chromium, mercury, PBB, PBDE, DBP, BBP, DEHP, DIBP, and 0.01% for cadmium, or qualify for an exemption to these limits as defined in the Annexes of Directive 2011/65/EU (RoHS2). Finished electrical and electronic equipment products will be CE marked as required by Directive 2011/65/EU. Components may not be CE marked. Additionally, the part numbers that TE has identified as EU ELV compliant have a maximum concentration of 0.1% by weight in homogenous materials for lead, hexavalent chromium, and mercury, and 0.01% for cadmium, or qualify for an exemption to these limits as defined in the Annexes of Directive 2000/53/EC (ELV). Regarding the REACH Regulations, TE's information on SVHC in articles for this part number is still based on the European Chemical Agency (ECHA) 'Guidance on requirements for substances in articles' (Version: 2, April 2011), applying the 0.1% weight on weight concentration threshold at the finished product level. TE is aware of the European Court of Justice ruling of September 10th, 2015 also known as O5A (Once An Article Always An Article) stating that, in case of 'complex object', the threshold for a SVHC must be applied to both the product as a whole and simultaneously to each of the articles forming part of its composition. TE has evaluated this ruling based on the new ECHA "Guidance on requirements for substances in articles" (June 2017, version 4.0) and will be updating its statements accordingly.

### Compatible Parts

 <p>TE Part # 2081376-3 CA,FAKRA F TO F,RG174LL,NO SLIP, 1000MM</p>	<p>TE Part # 2081384-2 CA,FAKRA F TO F,RTK031,W SLIP, 600MM</p>	<p>TE Part # 2081376-6 CA,FAKRA F TO F,RG174LL,NO SLIP, 5000MM</p>	<p>TE Part # 2081376-2 CA,FAKRA F TO F,RG174LL,NO SLIP, 600MM</p>
--	---	--	---

### Customers Also Bought



TE Part #929505-7  
FF FA-STE-GEH2X11P



TE Part #353908-3  
CT REC HSG 3P CRIMP TYPE WHITE



TE Part #2309407-1  
DDR4 SODIMM 260P 4.0H STD



TE Part #TAD14747101-002  
M12D4-MS-MS-FRNC TYPE B GREEN-1.0M



TE Part #3-1827253-6  
.5FHP05H,220,S,GIG,08/Sn,HT,NSYes



TE Part #2081384-4  
CA,FAKRA F TO F,RTK031,W SLIP,2000MM



TE Part #2081377-1  
CA,FAKRA F TO M,RG174LL,NO SLIP,300MM



TE Part #2081377-6  
CA,FAKRA F TO M,RG174LL,NO SLIP,5000MM



TE Part #2081393-3  
CA,MATE AX F TO FAKRA F,RTK031,1000MM



TE Part #1-963749-2  
TAB TAB 1.0-2.5 MM2 SIPPHBZ

## Documents

### Product Drawings

[CA,FAKRA F TO M,RG174LL,NO SLIP,1000MM](#)

English

### CAD Files

Customer View Model

[ENG\\_CVM\\_CVM\\_2081377-3\\_1.3d\\_stp.zip](#)

English

Customer View Model

[ENG\\_CVM\\_CVM\\_2081377-3\\_1.2d\\_dxf.zip](#)

English

Customer View Model

[ENG\\_CVM\\_CVM\\_2081377-3\\_1.3d\\_igs.zip](#)

English

[3D PDF](#)

3D

By downloading the CAD file I accept and agree to the [Terms and Conditions](#) of use.

### Datasheets & Catalog Pages



## FAKRA-AND-MATE-AX-CABLE-ASSEMBLIES

English

---

### Product Specifications

[FAKRA-Compliant Next Generation Unsealed Inline Connector Product Specification](#)

English