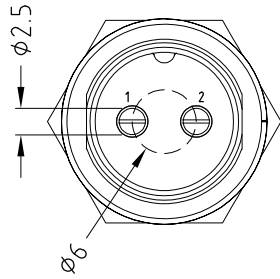
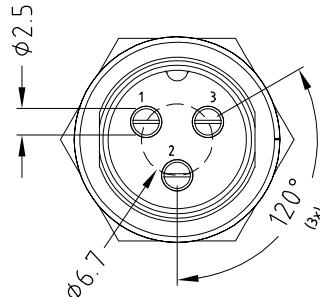


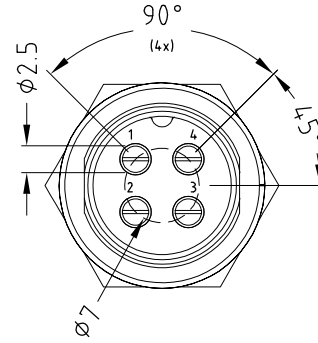
ISS.	AMEND	DATE
1	ISSUED	02/12/16
2	LENGTH NOTE	07/08/18
3	UPDATED	05/05/22
4	THREAD M16x1 (2x)	21/02/23



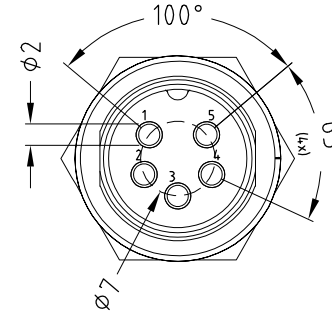
FC684202
2 POLE



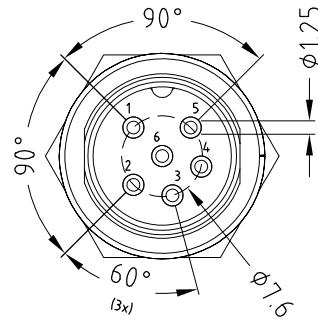
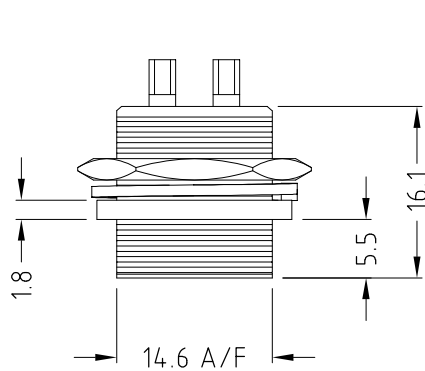
FC684203
3 POLE



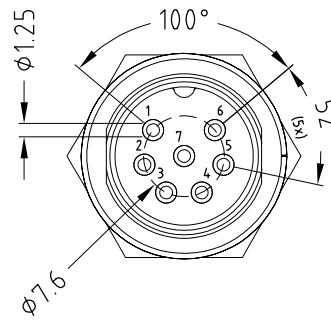
FC684204
4 POLE



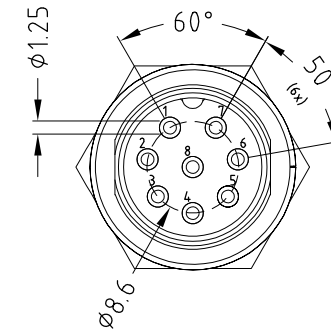
FC684205
5 POLE



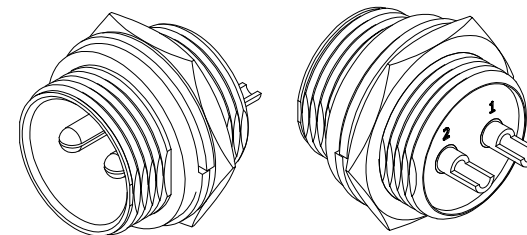
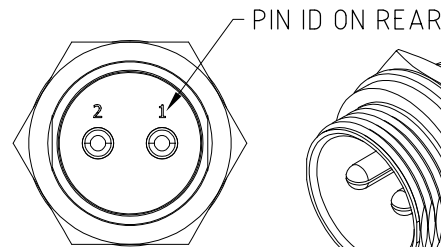
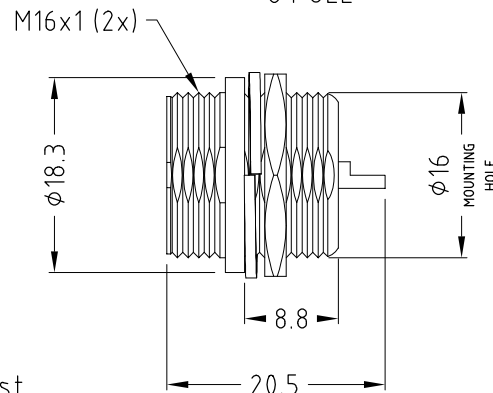
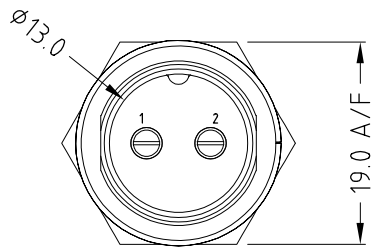
FC684206
6 POLE



FC684207
7 POLE



FC684208
8 POLE



NOTES

- 1) Rated 1A / Pin - 48V max.
- 2) 3D CAD available on request

RoHS
COMPLIANT

TOLERANCE

- NO DEC. PLACE ±
- 1 DEC. PLACE ±
- 2 DEC. PLACE ±
- HOLE Ø ±
- ANGLES ±
- UNLESS OTHERWISE STATED

DO NOT SCALE

Cliff Electronic Components Ltd.

76 Holmehorpe Avenue, Holmehorpe Industrial Estate,
Redhill, Surrey, RH1 2PF, England, UK
Tel: 01737-771375 Fax: 01737-766012 Website: www.cliffuk.co.uk

THE CONTENTS OF THIS DOCUMENT MUST NOT BE COPIED OR DISCLOSED TO A 3rd PARTY WITHOUT WRITTEN PERMISSION OF CLIFF UK. © 2016

DIMENSIONS IN MILLIMETERS UNLESS OTHERWISE STATED. WORK TO DIMENSIONS. REMOVE ALL BURRS. IF IN DOUBT ASK.

3rd ANGLE PROJECTION:

MATERIAL: BRASS / MAZAK
FINISH: CLEAN - TIN / NICKEL PLATE

TITLE: ZC CONNECTOR - SOCKET (2-8 POLE)

DRAWN: T.J.O.

APPROVED: D.P.J.

DRWG. No. FC684202

FORM: A4DRWGH