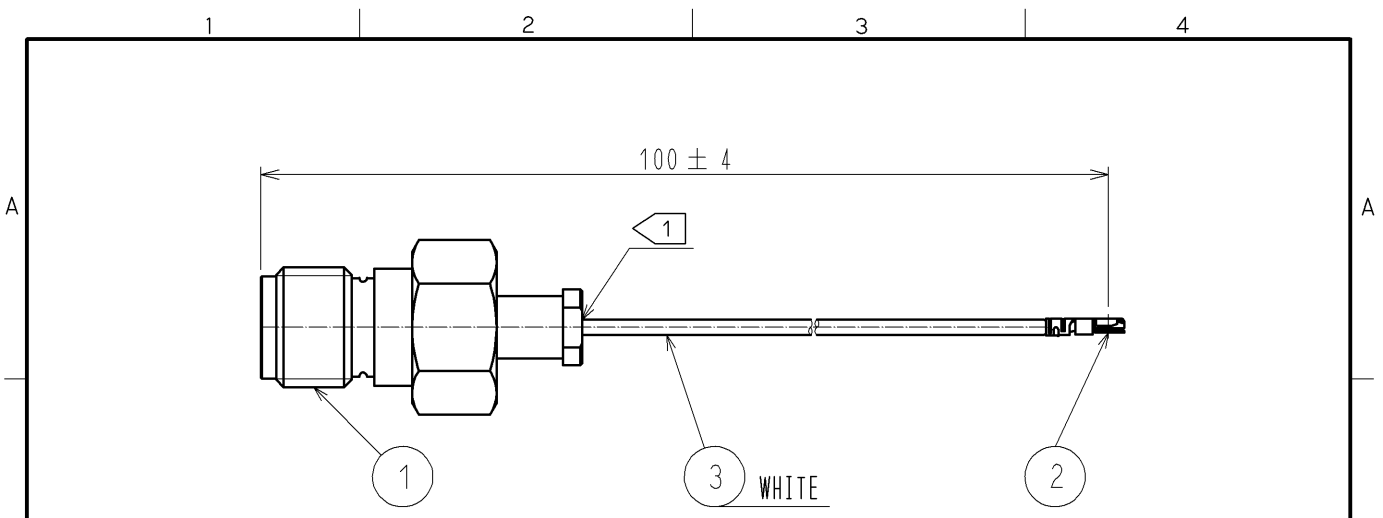
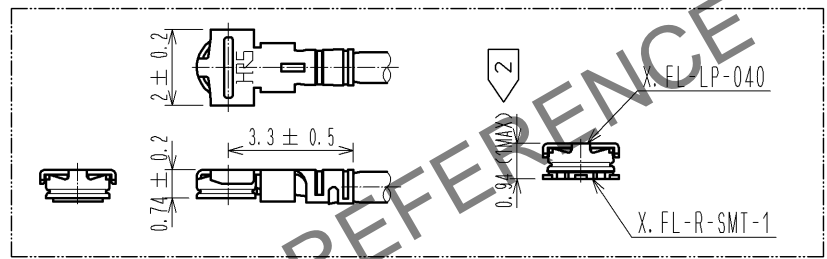


Jun.1.2024 Copyright 2024 HIROSE ELECTRIC CO., LTD. All Rights Reserved.  
In case of consideration for using Automotive equipment / device which demand high reliability, kindly contact our sales window correspondents.



NOTE 1 Do not apply any excessive stress to the cable assembly position.  
2 The drawing shows mated connector height only.

**[ DIMENSIONS OF CONNECTOR ]**



RoHS COMPLIANT

**[ PRECAUTIONS FOR HANDLING ]**

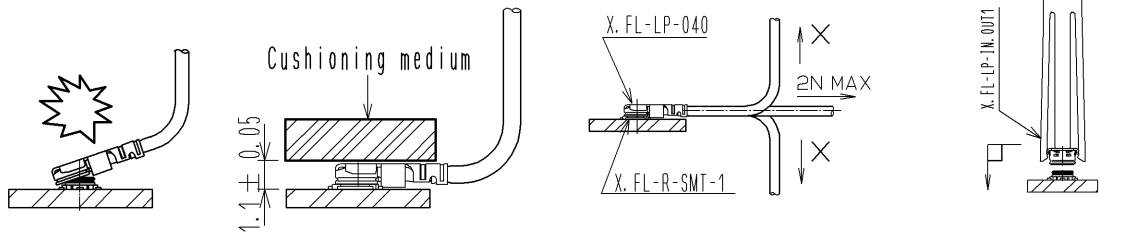
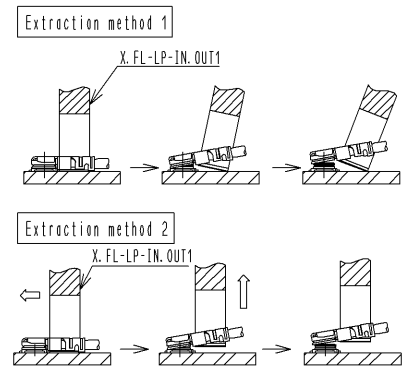
◆Connector insertion and extraction

a. Insert the connector as perpendicularly to the mating surface as possible with aligning the mating axes of both connectors by specialised insertion JIG.  
 Part No. : X.FL-LP-IN. OUT1 (CL331-0715-2)  
 Do not excessively slant the connectors when inserting.

b. Connector shall be extracted by specialised extraction JIG.  
 Part No. : X.FL-LP-IN. OUT1 (CL331-0715-2)  
 Never hold the cable when extracting the cable because it damages the connector.

◆Allowable loads on the cable after the connectors are mated.  
 The right figures show the maximum allowable loads on the cable.  
 Do not apply loads exceeding these values to the cable.  
 ◆Please don't apply the power of the direction which lifts a cable.  
 There is a danger that the inserted-in plug will separate.  
 When you perform wiring which curves a cable as shown in the left figure, please be careful.

◆We recommend you to arrange a cushioning medium as shown in a figure, and to prevent a fitting blank.



2	X.FL-LP-040	CL331-0700-0-00			
1	HRM-200-040JBN(40)	CL323-0792-9-40	3	RF-MF5010(WHITE)	NISSEI ELECTRIC CO., LTD.
NO.	PART NO.	CODE NO.	NO.	PART NO.	CODE NO.

UNITS mm		SCALE FREE	COUNT 	DESCRIPTION OF REVISIONS	DESIGNED	CHECKED	DATE
HIROSE ELECTRIC CO., LTD.				APPROVED : KY. SHIMIZU 14. 11. 17 CHECKED : TO. KATAYAMA 14. 11. 17 DESIGNED : YI. FUNADA 14. 11. 14 DRAWN : YI. FUNADA 14. 11. 14	DRAWING NO. EDC4-330816-03 PART NO. HRMJ-X.FL-04N1-A-100RS CODE NO. CL321-5045-1-03		