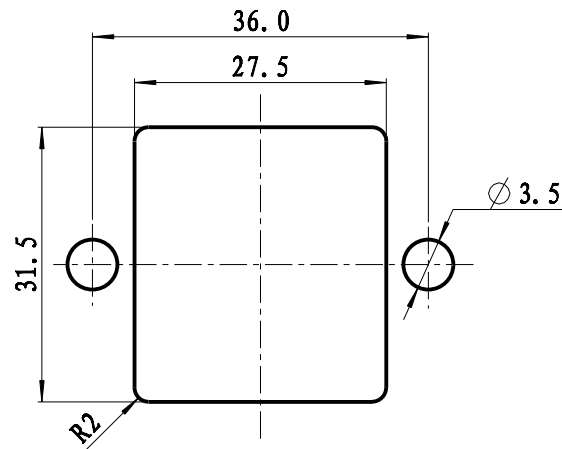
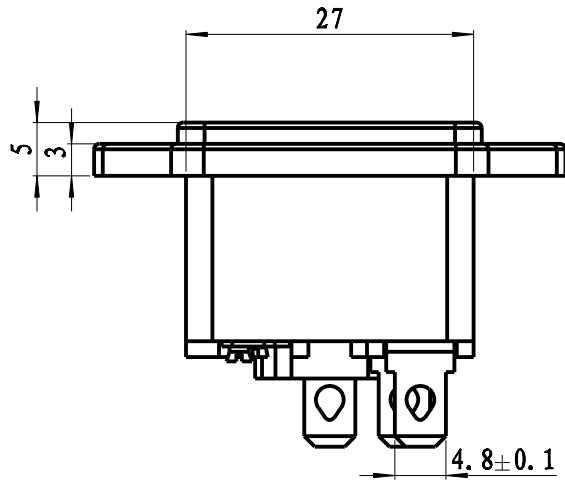
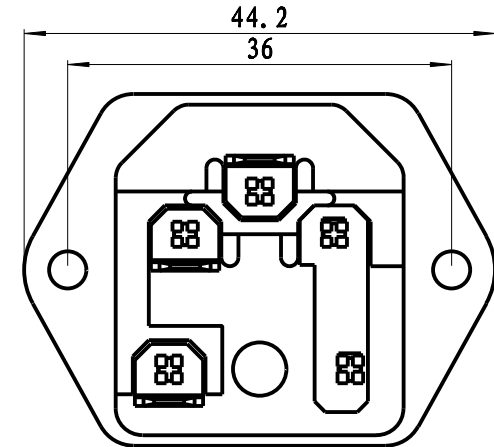


剖面 A-A



PANEL CUT-OUT

Rating:

10A 250V AC T105 UL cUL
10A 250V AC VDE 3C KC

Fuse: 250V AC 6.3A 2.5W

Insert And Extract Force: 1.36kgf~6.8kgf

Terminal Strength: ≥80N

Operating Life: ≥5000 cycles

Withstand Voltage: Between all terminals:2500VAC(50-60Hz)1min

Terminals to Base:3750V AC(50-60Hz)1min

Leakage Current:1mA

Insulation Resistance:≥100Ω M 500V DC

Body Materil: PBT 94V-2~0

				普通公差:		深圳市华灿天禄电子有限公司						
				COMMON TOLERANCE :								
				UP TO 5	±0.20	单位	mm	投影	品名	AC Inlet C14	比例	Free
				ABOVE 5 TO 30	±0.30	UNIT		PROJECTED				
				ABOVE 30	±0.50	绘图		核对	型号	DB-14		
				ANGULAR	±5°	DRAWN BY		CHECKED BY	料号	DB-14-F1		
REV.	DATE	REVISION DESCRIPTION	ISSUE			日期		核准	PART NO.			
								APPROVAL BY				