

NOTES:

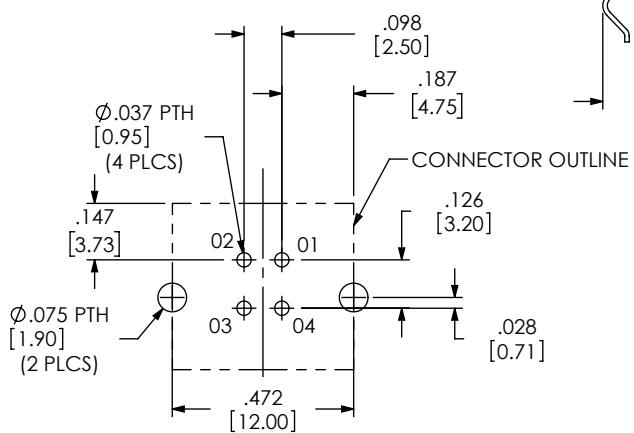
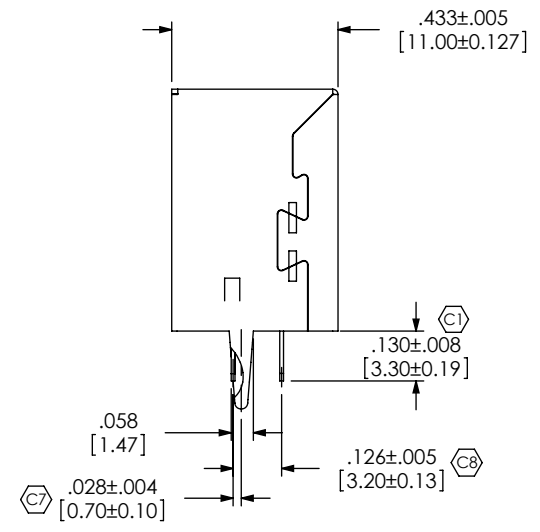
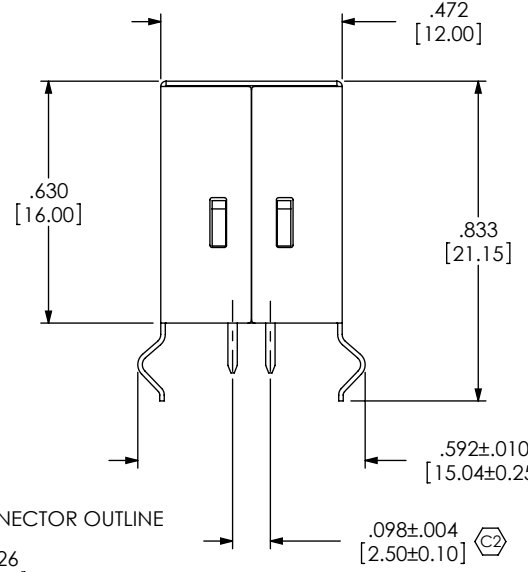
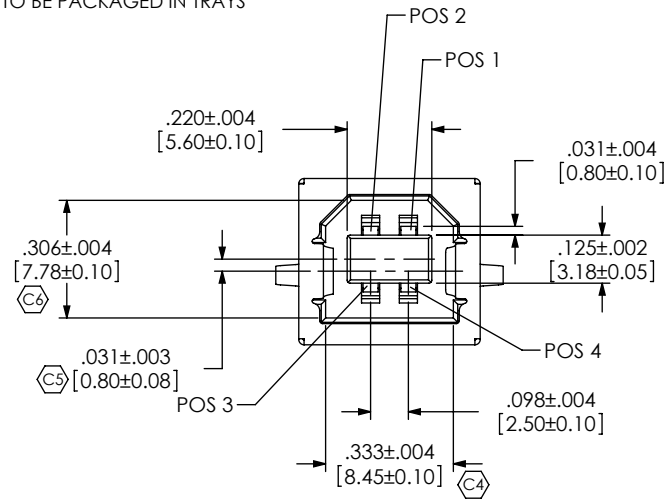
1. Ⓢ REPRESENTS A CRITICAL DIMENSION.
2. VERIFY -S PLATING, VISUALLY CHECK -F ONLY.
3. RoHS PARTS HAVE MATTE TIN ON TAILS.
4. PARTS TO BE PACKAGED IN TRAYS

DO NOT SCALE FROM THIS PRINT

USB-B-S-X-X-VT-X

TYPE -B
 CONFIGURATION -S: SINGLE
 ELOPTION -R: RoHS COMPLIANT - LEAD FREE WITH HIGH TEMP INSULATOR
 RA TERMINATION -VT: VERTICAL THRU HOLE
 COLOR -B: BLACK -W: WHITE

PLATING
 -F: GOLD FLASH ON MATING AREA, MATTE TIN ON TAIL, W/ NICKEL UNDERPLATE (SEE NOTE 3 FOR -R)
 -S: .000030" GOLD ON , MATING AREA, MATTE TIN ON TAIL, W/ NICKEL UNDERPLATE (SEE NOTE 3 FOR -R)



RECOMMENDED PCB LAYOUT

UNLESS OTHERWISE SPECIFIED, DIMENSIONS ARE IN INCHES. TOLERANCES ARE:
 DECIMALS ANGLES
 .X: ±.01 [.3] 2°
 .XX: ±.005 [.13]
 .XXX: ±.005 [.13]

PROPRIETARY NOTE
 THIS DOCUMENT CONTAINS INFORMATION CONFIDENTIAL AND PROPRIETARY TO SAMTEC, INC. AND SHALL NOT BE REPRODUCED OR TRANSFERRED TO OTHER DOCUMENTS OR DISCLOSED TO OTHERS OR USED FOR ANY PURPOSE OTHER THAN THAT WHICH IT WAS OBTAINED WITHOUT THE EXPRESSED WRITTEN CONSENT OF SAMTEC, INC.



520 PARK EAST BLVD, NEW ALBANY, IN 47150
 PHONE: 812-944-6733 FAX: 812-948-5047
 e-Mail: info@SAMTEC.com code: 55322

MATERIAL: DO NOT SCALE DRAWING SHEET SCALE: 2:1
 INSULATOR: PBT (RATED UL 94V-0)
 CONTACT OR TERMINAL: PHOS BRONZE
 BACK SHIELD: NICKEL PLATED PHOS BRONZE
 FRONT SHIELD: TIN PLATED PHOS BRONZE
 MAX FLASH ALLOWED: .051
 MAX GATE VESTIGE: .051

DESCRIPTION: USB B, SINGLE, VERTICAL THOUGH HOLE

DWG. NO. USB-B-S-X-X-VT-X

BY: LENNY K 11/15/06 SHEET 1 OF 1