

Figure A: SX1261/2 Block Diagram

## General Description

SX1261 and SX1262 sub-GHz radio transceivers are ideal for long range wireless applications. Both devices are designed for long battery life with just 4.2 mA of active receive current consumption. The SX1261 can transmit up to +15 dBm and the SX1262 can transmit up to +22 dBm with highly efficient integrated power amplifiers.

These devices support LoRa® modulation for LPWAN use cases and (G)FSK modulation for legacy use cases. The devices are highly configurable to meet different application requirements utilizing the global LoRaWAN™ standard or proprietary protocols.

The devices are designed to comply with the physical layer requirements of the LoRaWAN™ specification released by the LoRa Alliance™.

The radio is suitable for systems targeting compliance with radio regulations including but not limited to ETSI EN 300 220, FCC CFR 47 Part 15, China regulatory requirements and the Japanese ARIB T-108. Continuous frequency coverage from 150 MHz to 960 MHz allows the support of all major sub-GHz ISM bands around the world.

## Applications

The level of integration and the low consumption within SX1261/2 enable a new generation of Internet of Things applications.

- Smart meters
- Supply chain and logistics
- Building automation
- Agricultural sensors
- Smart cities
- Retail store sensors
- Asset tracking
- Street lights
- Parking sensors
- Environmental sensors
- Healthcare
- Safety and security sensors
- Remote control applications

---

## Ordering Information

Part Number	Delivery	Minimum Order Quantity
SX1261IMLTRT	Tape & Reel	3'000 pieces
SX1262IMLTRT	Tape & Reel	3'000 pieces

QFN 24 Package, Pb-free, Halogen free, RoHS/WEEE compliant product.

## Revision History

Version	ECO	Date	Modifications
1.0	039166	October 2017	First Release
1.1	040046	December 2017	Addition of a note "when using a TCXO" to explain the XTA cap value change with TCXO in chapter 4.1.3 XTAL Control Block New sub-chapter 5.1.5 "Considerations on the DC-DC Inductor Selection" Addition of a note recommending 12 symbols of LoRa preamble for optimal performances in chapter 6.1.1.1 Spreading Factor Addition of a note on SetLoRaSymbNumTimeout in chapter 9.6 Receive Mode Correction of RandomNumber Gen[] values in chapter 12.1 Register Map

---

# Table of Contents

1. Architecture .....	11
2. Pin Connection .....	12
2.1 I/O Description .....	12
2.2 Package View .....	13
3. Specifications .....	14
3.1 ESD Notice .....	14
3.2 Absolute Maximum Ratings .....	14
3.3 Operating Range .....	14
3.4 Crystal Specifications .....	15
3.5 Electrical Specifications .....	15
3.5.1 Power Consumption .....	16
3.5.2 General Specifications .....	18
3.5.3 Receive Mode Specifications.....	19
3.5.4 Transmit Mode Specifications .....	21
3.5.5 Digital I/O Specifications .....	21
4. Circuit Description.....	22
4.1 Clock References .....	22
4.1.1 RC Frequency References.....	22
4.1.2 High-Precision Frequency Reference.....	22
4.1.3 XTAL Control Block .....	23
4.1.4 TCXO Control Block .....	24
4.2 Phase-Locked Loop (PLL) .....	24
4.3 Receiver .....	25
4.3.1 Intermediate Frequencies .....	25
4.4 Transmitter .....	26
4.4.1 SX1261 Power Amplifier Specifics.....	27
4.4.2 SX1262 Power Amplifier Specifics.....	29
4.4.3 Power Amplifier Summary.....	31
5. Power Distribution .....	32
5.1 Selecting DC-DC Converter or LDO Regulation .....	32
5.1.1 Option A: SX1261 with DC-DC Regulator .....	33
5.1.2 Option B: SX1261 with LDO Regulator .....	34
5.1.3 Option C: SX1262 with DC-DC Regulator .....	34
5.1.4 Option D: SX1262 with LDO Regulator.....	35
5.1.5 Consideration on the DC-DC Inductor Selection.....	35
5.2 Flexible DIO Supply .....	36
6. Modems .....	37
6.1 LoRa® Modem .....	37
6.1.1 Modulation Parameter .....	37
6.1.2 LoRa® Packet Engine .....	39
6.1.3 LoRa® Frame .....	40
6.1.4 LoRa® Time-on-Air.....	41
6.1.5 LoRa® Channel Activity Detection (CAD) .....	41

6.2 FSK Modem .....	42
6.2.1 Modulation Parameter .....	42
6.2.2 FSK Packet Engine.....	43
6.2.3 FSK Packet Format .....	44
7. Data Buffer .....	47
7.1 Principle of Operation .....	47
7.2 Data Buffer in Receive Mode .....	48
7.3 Data Buffer in Transmit Mode .....	48
7.4 Using the Data Buffer .....	48
8. Digital Interface and Control.....	49
8.1 Reset .....	49
8.2 SPI Interface .....	49
8.2.1 SPI Timing When the Transceiver is in Active Mode.....	49
8.2.2 SPI Timing When the Transceiver Leaves Sleep Mode .....	50
8.3 Multi-Purpose Digital Input/Output (DIO) .....	51
8.3.1 BUSY Control Line .....	51
8.3.2 Digital Input/Output .....	53
8.4 Digital Interface Status versus Chip modes .....	53
8.5 IRQ Handling .....	54
9. Operational Modes .....	55
9.1 Startup .....	55
9.2 Calibrate .....	55
9.2.1 Image Calibration for Specific Frequency Bands.....	55
9.3 Sleep Mode .....	56
9.4 Standby (STDBY) Mode .....	56
9.5 Frequency Synthesis (FS) Mode .....	57
9.6 Receive (RX) Mode .....	57
9.7 Transmit (TX) Mode .....	58
9.7.1 PA Ramping.....	58
9.8 Active Mode Switching Time .....	58
9.9 Transceiver Circuit Modes Graphical Illustration .....	59
10. Host Controller Interface .....	60
10.1 Command Structure .....	60
10.2 Transaction Termination .....	60
11. List of Commands .....	61
11.1 Operational Modes Commands .....	61
11.2 Register and Buffer Access Commands .....	62
11.3 DIO and IRQ Control .....	62
11.4 RF, Modulation and Packet Commands .....	62
11.5 Status Commands .....	63
12. Register Map .....	64
12.1 Register Table .....	64
13. Commands Interface.....	66
13.1 Operational Modes Functions .....	66
13.1.1 SetSleep.....	66
13.1.2 SetStandby.....	67

13.1.3	SetFs.....	67
13.1.4	SetTx .....	67
13.1.5	SetRx.....	68
13.1.6	StopTimerOnPreamble.....	69
13.1.7	SetRxDutyCycle .....	70
13.1.8	SetCAD.....	72
13.1.9	SetTxContinuousWave.....	72
13.1.10	SetTxInfinitePreamble .....	73
13.1.11	SetRegulatorMode.....	73
13.1.12	Calibrate Function.....	73
13.1.13	CalibrateImage .....	74
13.1.14	SetPaConfig.....	75
13.1.15	SetRxTxFallbackMode.....	76
13.2	Registers and Buffer Access .....	77
13.2.1	WriteRegister Function .....	77
13.2.2	ReadRegister Function.....	77
13.2.3	WriteBuffer Function .....	77
13.2.4	ReadBuffer Function.....	78
13.3	DIO and IRQ Control Functions .....	78
13.3.1	SetDioIrqParams.....	78
13.3.2	IrqMask .....	78
13.3.3	GetIrqStatus .....	79
13.3.4	ClearIrqStatus.....	80
13.3.5	SetDIO2AsRfSwitchCtrl .....	80
13.3.6	SetDIO3AsTCXOctrl .....	80
13.4	RF Modulation and Packet-Related Functions .....	82
13.4.1	SetRfFrequency.....	82
13.4.2	SetPacketType.....	82
13.4.3	GetPacketType.....	83
13.4.4	SetTxParams .....	83
13.4.5	SetModulationParams.....	84
13.4.6	SetPacketParams.....	87
13.4.7	SetCadParams .....	91
13.4.8	SetBufferBaseAddress .....	93
13.4.9	SetLoRaSymbNumTimeout.....	93
13.5	Communication Status Information .....	94
13.5.1	GetStatus.....	94
13.5.2	GetRxBufferStatus.....	95
13.5.3	GetPacketStatus .....	95
13.5.4	GetRssiInst .....	96
13.5.5	GetStats .....	96
13.5.6	ResetStats .....	96
13.6	Miscellaneous .....	97
13.6.1	GetDeviceErrors.....	97
13.6.2	ClearDeviceErrors.....	97
14.	Application .....	98

---

14.1 HOST API Basic Read Write Function .....	98
14.2 Circuit Configuration for Basic Tx Operation .....	98
14.3 Circuit Configuration for Basic Rx Operation .....	99
14.4 Issuing Commands in the Right Order .....	99
14.5 Application Schematics .....	100
14.5.1 Application Design of the SX1261 with RF Switch .....	100
14.5.2 Application Design of the SX1262 with RF Switch .....	100
15. Packaging Information.....	101
15.1 Package Outline Drawing .....	101
15.2 Package Marking .....	102
15.3 Land Pattern .....	102
15.4 Reflow Profiles .....	103

---

# List of Figures

Figure 2-1: SX1261/2 Top View Pin Location QFN 4x4 24L .....	13
Figure 4-1: SX1261/2 Block Diagram .....	22
Figure 4-2: TCXO Control Block .....	24
Figure 4-3: PA Supply Scheme in DC-DC Mode .....	27
Figure 4-4: VR_PA versus Output Power on the SX1261 .....	27
Figure 4-5: Current versus Output Power with DC-DC Regulation on the SX1261 .....	28
Figure 4-6: Current versus Output Power with LDO Regulation on the SX1261 .....	28
Figure 4-7: Power Linearity on the SX1261 with either LDO or DC-DC Regulation .....	29
Figure 4-8: VR_PA versus Output Power on the SX1262 .....	29
Figure 4-9: Power Linearity on the SX1262 .....	30
Figure 4-10: Current versus Programmed Output Power on the SX1262 .....	30
Figure 5-1: SX1261 Diagram with the DC-DC Regulator Power Option .....	33
Figure 5-2: SX1261 Diagram with the LDO Regulator Power Option .....	34
Figure 5-3: SX1262 Diagram with the DC-DC Regulator Power Option .....	34
Figure 5-4: SX1262 Diagram with the LDO Regulator Power Option .....	35
Figure 5-5: Separate DIO Supply .....	36
Figure 6-1: LoRa® Signal Bandwidth .....	38
Figure 6-2: LoRa® Packet Format .....	40
Figure 6-3: Fixed-Length Packet Format .....	44
Figure 6-4: Variable-Length Packet Format .....	44
Figure 6-5: Data Whitening LFSR .....	45
Figure 7-1: Data Buffer Diagram .....	47
Figure 8-1: SPI Timing Diagram .....	49
Figure 8-2: SPI Timing Transition .....	50
Figure 8-3: Switching Time Definition .....	51
Figure 8-4: Switching Time Definition in Active Mode .....	52
Figure 9-1: Transceiver Circuit Modes .....	59
Figure 13-1: Stopping Timer on Preamble or Header Detection .....	70
Figure 13-2: RX Duty Cycle Energy Profile .....	71
Figure 13-3: RX Duty Cycle when Receiving .....	72
Figure 14-1: Application Schematic of the SX1261 with RF Switch .....	100
Figure 14-2: Application Schematic of the SX1262 with RF Switch .....	100
Figure 15-1: QFN 4x4 Package Outline Drawing .....	101
Figure 15-2: SX1261/2 Marking .....	102
Figure 15-3: QFN 4x4mm Land Pattern .....	102

---

# List of Tables

Table 2-1: SX1261/2 Pinout in QFN 4x4 24L .....	12
Table 3-1: ESD and Latch-up Notice .....	14
Table 3-2: Absolute Maximum Ratings.....	14
Table 3-3: Operating Range.....	14
Table 3-4: Crystal Specifications .....	15
Table 3-5: Power Consumption.....	16
Table 3-6: Power Consumption in Transmit Mode .....	17
Table 3-7: General Specifications .....	18
Table 3-8: Receive Mode Specifications.....	19
Table 3-9: Transmit Mode Specifications.....	21
Table 3-10: Digital I/O Specifications .....	21
Table 4-1: Internal Foot Capacitor Configuration.....	23
Table 4-2: Intermediate Frequencies in FSK Mode .....	25
Table 4-3: Intermediate Frequencies in LoRa® Mode.....	26
Table 4-4: Power Amplifier Summary .....	31
Table 5-1: Regulation Type versus Circuit Mode.....	32
Table 5-2: OCP Configuration .....	32
Table 5-3: Typical 15 µH Inductors.....	35
Table 6-1: Range of Spreading Factors (SF) .....	38
Table 6-2: Signal Bandwidth Setting in LoRa® Mode.....	38
Table 6-3: Coding Rate Overhead .....	39
Table 6-4: Bandwidth Definition in FSK Packet Type .....	42
Table 6-5: Whitening Initial Value .....	45
Table 6-6: CRC Type Configuration.....	46
Table 6-7: CRC Initial Value .....	46
Table 6-8: CRC Polynomial .....	46
Table 8-1: SPI Timing Requirements.....	50
Table 8-2: Switching Time.....	52
Table 8-3: Digital Pads Configuration for each Chip Mode.....	53
Table 8-4: IRQ Status Registers .....	54
Table 9-1: SX1261/2 Operating Modes.....	55
Table 9-2: Image Calibration Over the ISM Bands .....	56
Table 9-3: Rx Gain Configuration.....	57
Table 10-1: SPI Interface Command Sequence .....	60
Table 11-1: Commands Selecting the Operating Modes of the Radio .....	61
Table 11-2: Commands to Access the Radio Registers and FIFO Buffer.....	62
Table 11-3: Commands Controlling the Radio IRQs and DIOs.....	62
Table 11-4: Commands Controlling the RF and Packets Settings .....	62
Table 11-5: Commands Returning the Radio Status.....	63
Table 12-1: List of Registers .....	64
Table 13-1: SetSleep SPI Transaction .....	66
Table 13-2: Sleep Mode Definition.....	66
Table 13-3: SetConfig SPI Transaction .....	67



Table 13-4: STDBY Mode Configuration .....	67
Table 13-5: SetFs SPI Transaction .....	67
Table 13-6: SetTx SPI Transaction .....	67
Table 13-7: SetTx Timeout Duration .....	68
Table 13-8: SetRx SPI Transaction .....	68
Table 13-9: SetRx Timeout Duration .....	69
Table 13-10: StopTimerOnPreamble SPI Transaction .....	69
Table 13-11: StopOnPreambParam Definition .....	69
Table 13-12: SetRxDutyCycle SPI Transaction .....	70
Table 13-13: SetCAD SPI Transaction .....	72
Table 13-14: SetTxContinuousWave SPI Transaction .....	72
Table 13-15: SendTxInfinitePreamble SPI Transaction .....	73
Table 13-16: SetRegulatorMode SPI Transaction .....	73
Table 13-17: Calibrate SPI Transaction .....	73
Table 13-18: Calibration Setting .....	74
Table 13-19: Calibratelmage SPI Transaction .....	74
Table 13-20: SetPaConfig SPI Transaction .....	75
Table 13-21: PA Operating Modes with Optimal Settings .....	75
Table 13-22: SetRxTxFallbackMode SPI Transaction .....	76
Table 13-23: Fallback Mode Definition .....	76
Table 13-24: WriteRegister SPI Transaction .....	77
Table 13-25: ReadRegister SPI Transaction .....	77
Table 13-26: WriteBuffer SPI Transaction .....	77
Table 13-27: ReadBuffer SPI Transaction .....	78
Table 13-28: SetDiolrqParams SPI Transaction .....	78
Table 13-29: IRQ Registers .....	79
Table 13-30: GetIrqStatus SPI Transaction .....	79
Table 13-31: ClearIrqStatus SPI Transaction .....	80
Table 13-32: SetDIO2AsRfSwitchCtrl SPI Transaction .....	80
Table 13-33: Enable Configuration Definition .....	80
Table 13-34: SetDIO3asTCXOctrl SPI Transaction .....	80
Table 13-35: tcxoVoltage Configuration Definition .....	81
Table 13-36: SetRfFrequency SPI Transaction .....	82
Table 13-37: SetPacketType SPI Transaction .....	82
Table 13-38: PacketType Definition .....	82
Table 13-39: GetPacketType SPI Transaction .....	83
Table 13-40: SetTxParams SPI Transaction .....	83
Table 13-41: RampTime Definition .....	83
Table 13-42: SetModulationParams SPI Transaction .....	84
Table 13-43: GFSK ModParam1, ModParam2 & ModParam3 - br .....	84
Table 13-44: GFSK ModParam4 - PulseShape .....	84
Table 13-45: GFSK ModParam5 - Bandwidth .....	85
Table 13-46: GFSK ModParam6, ModParam7 & ModParam8 - Fdev .....	85
Table 13-47: LoRa® ModParam1- SF .....	86
Table 13-48: LoRa® ModParam2 - BW .....	86
Table 13-49: LoRa® ModParam3 - CR .....	86

Table 13-51: SetPacketParams SPI Transaction .....	87
Table 13-52: GFSK PacketParam1 & PacketParam2 - PreambleLength .....	87
Table 13-53: GFSK PacketParam3 - PreambleDetectorLength .....	87
Table 13-50: LoRa® ModParam4 - LowDataRateOptimize.....	87
Table 13-54: GFSK PacketParam4 - SyncWordLength .....	88
Table 13-55: Sync Word Programming .....	88
Table 13-56: GFSK PacketParam5 - AddrComp .....	88
Table 13-57: Node Address Programming.....	88
Table 13-58: Broadcast Address Programming.....	89
Table 13-59: GFSK PacketParam6 - PacketType .....	89
Table 13-60: GFSK PacketParam7 - PayloadLength.....	89
Table 13-61: GFSK PacketParam8 - CRCType .....	89
Table 13-62: CRC Initial Value Programming .....	90
Table 13-63: CRC Polynomial Programming .....	90
Table 13-64: GFSK PacketParam9 - Whitening .....	90
Table 13-65: Whitening Initial Value .....	90
Table 13-66: LoRa® PacketParam1 & PacketParam2 - PreambleLength.....	90
Table 13-67: LoRa® PacketParam3 - HeaderType .....	91
Table 13-68: LoRa® PacketParam4 - PayloadLength.....	91
Table 13-69: LoRa® PacketParam5 - CRCType.....	91
Table 13-70: LoRa® PacketParam6 - InvertIQ.....	91
Table 13-71: SetCadParams SPI Transaction .....	91
Table 13-72: CAD Number of Symbol Definition .....	92
Table 13-73: Recommended Settings for cadDetPeak and cadDetMin with 4 Symbols Detection .....	92
Table 13-74: CAD Exit Mode Definition.....	92
Table 13-75: SetBufferBaseAddress SPI Transaction .....	93
Table 13-76: SetLoRaSymbNumTimeout SPI Transaction.....	93
Table 13-77: Status Bytes Definition.....	94
Table 13-78: GetStatus SPI Transaction.....	94
Table 13-79: GetRxBufferStatus SPI Transaction .....	95
Table 13-80: GetPacketStatus SPI Transaction .....	95
Table 13-81: Status Bit .....	95
Table 13-82: GetRssiInst SPI Transaction .....	96
Table 13-83: GetStats SPI Transaction .....	96
Table 13-84: GetDeviceErrors SPI Transaction.....	97
Table 13-85: OpError Bits.....	97
Table 13-86: ClearDeviceErrors SPI Transaction.....	97

---

# 1. Architecture

The SX1261 and SX1262 (designated hereafter as “SX1261/2”) are half-duplex transceivers capable of low power operation in the 150-960 MHz ISM frequency band. The radio comprises four main blocks:

1. **Analog Front End:** the transmit and receive chains, as well as the data converter interface to ensuing digital blocks. The last stage of the transmit chain is different between the SX1261 and SX1262 chip versions. The SX1261 transceiver is capable of outputting +14/15 dBm maximum output power under DC-DC converter or LDO supply. The SX1262 transceiver is capable of delivering up to +22 dBm under the battery supply.
2. **Digital Modem Bank:** a range of modulation options is available in the SX1261/2:
  - ◆ LoRa® Rx/Tx, BW = 7.8 - 500 kHz, SF5 to SF12, BR = 0.018 - 62.5 kb/s
  - ◆ (G)FSK Rx/Tx, with BR = 0.6 - 300 kb/s
3. **Digital Interface and Control:** this comprises all payload data and protocol processing as well as access to configuration of the radio via the SPI interface.
4. **Power Distribution:** two forms of voltage regulation, DC-DC or linear regulator LDO, are available depending upon the design priorities of the application.

## 2. Pin Connection

### 2.1 I/O Description

Table 2-1: SX1261/2 Pinout in QFN 4x4 24L

Pin Number	Pin Name	Type (I = input O = Output)	Description
0	GND	-	Exposed Ground pad
1	VDD_IN	I	Input voltage for power amplifier regulator, VR_PA SX1261: connected to pin 7 SX1262: connected to pin 10
2	GND	-	Ground
3	XTA	-	Crystal oscillator connection, can be used to input external reference clock
4	XTB	-	Crystal oscillator connection
5	GND	-	Ground
6	DIO3	I/O	Multipurpose digital I/O - external TCXO supply voltage
7	VREG	O	Regulated output voltage from the internal regulator LDO / DC-DC
8	GND	-	Ground
9	DCC_SW	O	DC-DC Switcher Output
10	VBAT	I	Supply for the RFIC
11	VBAT_IO	I	Supply for the Digital I/O interface pins (except DIO3)
12	DIO2	I/O	Multipurpose digital I/O / RF Switch control
13	DIO1	I/O	Multipurpose digital IO
14	BUSY	I/O	Busy indicator
15	NRESET	I/O	Reset signal, active low
16	MISO	O	SPI slave output
17	MOSI	I	SPI slave input
18	SCK	I	SPI clock
19	NSS	I	SPI Slave Select
20	GND	-	Ground
21	RFI_P	I	RF receiver input
22	RFI_N	I	RF receiver input
23	RFO	O	RF transmitter output (SX1261 low power PA or SX1262 high power PA)
24	VR_PA	-	Regulated power amplifier supply

## 2.2 Package View

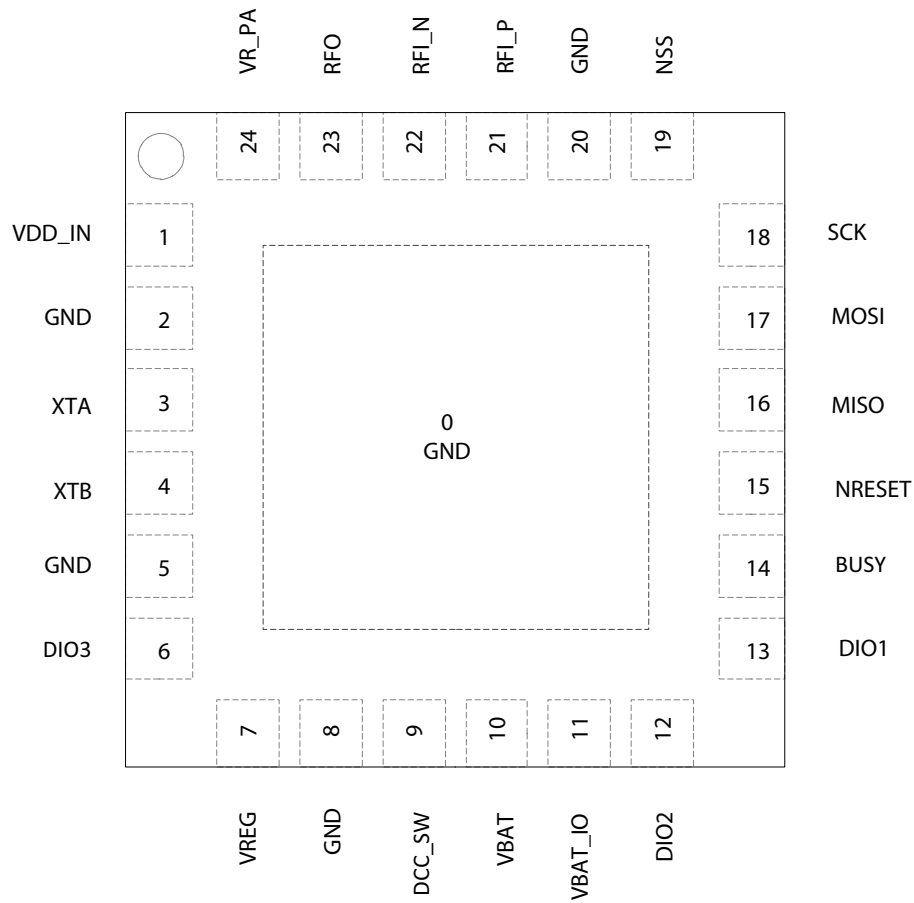


Figure 2-1: SX1261/2 Top View Pin Location QFN 4x4 24L

## 3. Specifications

### 3.1 ESD Notice



The SX1261/2 transceivers are high-performance radio frequency devices, with high ESD and latch-up resistance. The chip should be handled with all the necessary ESD precautions to avoid any permanent damage.

**Table 3-1: ESD and Latch-up Notice**

Symbol	Description	Min	Typ	Max	Unit
ESD_HBM	Class 2 of ANSI/ESDA/JEDEC Standard JS-001-2014 (Human Body Model)	-	-	2.0	kV
ESD_CDM	ESD Charged Device Model, JEDEC standard JESD22-C101D, class III	-	-	1000	V
LU	Latch-up, JEDEC standard JESD78 B, class I level A	-	-	100	mA

### 3.2 Absolute Maximum Ratings

Stresses above the values listed below may cause permanent device failure. Exposure to absolute maximum ratings for extended periods may affect device reliability, reducing product life time.

**Table 3-2: Absolute Maximum Ratings**

Symbol	Description	Min	Typ	Max	Unit
VDDmr	Supply voltage, applies to VBAT and VBAT_IO	-0.5	-	3.9	V
Tmr	Temperature	-55	-	125	°C
Pmr	RF Input level	-	-	10	dBm

### 3.3 Operating Range

Operating ranges define the limits for functional operation and parametric characteristics of the device. Functionality outside these limits is not guaranteed.

**Table 3-3: Operating Range**

Symbol	Description	Min	Typ	Max	Unit
VDDop	Supply voltage, applies to VBAT and VBAT_IO	1.8	-	3.7	V
Top	Temperature under bias	-40	-	85	°C
Clop	Load capacitance on digital ports	-	-	20	pF
ML	RF Input power	-	-	0	dBm
VSWR	Voltage Standing Wave Ratio	-	-	10:1	-

## 3.4 Crystal Specifications

Table 3-4: Crystal Specifications

Symbol	Description	Min	Typ	Max	Unit
FXOSC	Crystal oscillator frequency	-	32	-	MHz
CLOAD	Crystal load capacitance	-	10	-	pF
COXTAL	Crystal shunt capacitance	0.3	0.6	2	pF
RSXTAL	Crystal series resistance	-	30	60	$\Omega$
CMXTAL	Crystal motional capacitance	1.3	1.89	2.5	fF
DRIVE	Drive level	-	-	100	$\mu$ W

The reference frequency accuracy is defined by the complete system, and should take into account precision of the transmitter and the receiver, as well as environmental parameters such as extreme temperature limits. In a LoRaWAN™ system, the expected reference frequency accuracy on the end-device should be about +/- 30 ppm under all operating conditions. This includes initial error, temperature drift and ageing over the lifetime of the product.

## 3.5 Electrical Specifications

The electrical specifications are given with the following conditions unless otherwise specified:

- VBAT\_IO = VBAT = 3.3 V, all current consumptions are given for VBAT connected to VBAT\_IO
- Temperature = 25 °C
- FXOSC = 32 MHz, with specified crystal
- FRF = 434/490/868/915 MHz
- All RF impedances matched
- Transmit mode output power defined in 50  $\Omega$  load
- FSK BER = 0.1%, 2-level FSK modulation without pre-filtering, BR = 4.8 kb/s, FDA =  $\pm$  5 kHz, BW\_F = 20 kHz double-sided
- LoRa® PER = 1%, packet 64 bytes, preamble 8 symbols, CR = 4/5, CRC on payload enabled, explicit header mode
- RX/TX specifications given using default RX gain step and direct tie connection between Rx and Tx
- Blocking immunity, ACR and co-channel rejection are given for a single tone interferer and referenced to sensitivity +3 dB, blocking tests are performed with unmodulated signal
- Optional TCXO and RF Switch power consumption always excluded

### Caution!

Throughout this document, all receiver bandwidths are expressed as “double-sided bandwidth”. This is valid for LoRa® and FSK modulations.

## 3.5.1 Power Consumption

**Table 3-5: Power Consumption**

Symbol	Mode	Conditions	Min	Typ	Max	Unit
IDDOFF	OFF mode (SLEEP mode with cold start <sup>1</sup> )	All blocks off	-	160	-	nA
IDDSL	SLEEP mode (SLEEP mode with warm start <sup>2</sup> )	Configuration retained	-	600	-	nA
		Configuration retained + RC64k	-	1.2	-	μA
IDDSBR	STDBY_RC mode	RC13M, XOSC OFF	-	0.6	-	mA
IDDSBX	STDBY_XOSC mode	XOSC ON	-	0.8	-	mA
IDDFS	Synthesizer mode	DC-DC mode used	-	2.1	-	mA
		LDO mode used	-	3.55	-	mA
IDDRX	Receive mode DC-DC mode used	FSK 4.8 kb/s	-	4.2	-	mA
		LoRa® 125 kHz	-	4.6	-	mA
		Rx Boosted <sup>3</sup> , FSK 4.8 kb/s	-	4.8	-	mA
		Rx Boosted, LoRa® 125 kHz	-	5.3	-	mA
		LoRa® 125 kHz, VBAT = 1.8 V	-	8.2	-	mA
	Receive mode LDO mode used	FSK 4.8 kb/s	-	8	-	mA
		LoRa® 125 kHz	-	8.8	-	mA
		Rx Boosted, FSK 4.8 kb/s	-	9.3	-	mA
Rx Boosted, LoRa® 125 kHz		-	10.1	-	mA	

1. Cold start is equivalent to device at POR or when the device is waking up from Sleep mode with all blocks OFF, see [Section 13.1.1 "SetSleep"](#) on page 66

2. Warm start is only happening when device is waking up from Sleep mode with its configuration retained, see [Section 13.1.1 "SetSleep"](#) on page 66

3. For more details on how to set the device in Rx Boosted gain mode, see [Section 9.6 "Receive \(RX\) Mode"](#) on page 57



**Table 3-6: Power Consumption in Transmit Mode**

Symbol	Frequency Band	PA Match / Condition	Power Output	Typical	Unit	
IDDTX SX1261 <sup>1</sup>	868/915 MHz	+14 dBm	+14 dBm, VBAT = 3.3 V	25.5	mA	
			+10 dBm VBAT = 3.3 V	18	mA	
			+14 dBm, VBAT = 1.8 V	48	mA	
			+10 dBm, VBAT = 1.8 V	34	mA	
	434/490 MHz	+14 dBm	+15 dBm, VBAT = 3.3 V	32.5	mA	
			+10 dBm VBAT = 3.3 V	15	mA	
			+15 dBm, VBAT = 1.8 V	60	mA	
			+10 dBm, VBAT = 1.8 V	29	mA	
			+15 dBm, VBAT = 3.3 V	25.5	mA	
			+14 dBm, VBAT = 3.3 V	21	mA	
IDDTX SX1262 <sup>3</sup>	868/915 MHz	+22 dBm	+22 dBm	118	mA	
			+20 dBm	102	mA	
			+17 dBm	95	mA	
			+14 dBm	90	mA	
	434/490 MHz	+22 dBm	+20 dBm / optimal settings <sup>4</sup>	+20 dBm	84	mA
			+17 dBm / optimal settings <sup>4</sup>	+17 dBm	58	mA
			+14 dBm / optimal settings <sup>4</sup>	+14 dBm	45	mA
			+22 dBm	107	mA	
			+20 dBm	90	mA	
			+17 dBm	75	mA	
			+14 dBm	63	mA	
			+20 dBm / optimal settings <sup>4</sup>	+20 dBm	65	mA
			+17 dBm / optimal settings <sup>4</sup>	+17 dBm	42	mA
			+14 dBm / optimal settings <sup>4</sup>	+14 dBm	32	mA

1. For SX1261, DC-DC mode is used for the whole IC. For more details, see Section 5.1 "Selecting DC-DC Converter or LDO Regulation" on page 32.

2. For more details on optimal settings, see Section 13.1.14.1 "PA Optimal Settings" on page 75.

3. For SX1262, DC-DC mode is used for the IC core but the PA is supplied from VBAT. For more details, see Section 5.1 "Selecting DC-DC Converter or LDO Regulation" on page 32.

4. Optimal settings adapted to the specified output power. For more details, see Section 13.1.14.1 "PA Optimal Settings" on page 75

## 3.5.2 General Specifications

**Table 3-7: General Specifications**

Symbol	Description	Conditions	Min	Typ	Max	Unit
FR	Synthesizer frequency range	SX1261	150	-	960	MHz
FSTEP	Synthesizer frequency step	-	-	0.95	-	Hz
PHN <sup>1 2</sup>	Synthesizer phase noise (for 868 / 915 MHz)	1 kHz offset	-	-75	-	dBc/Hz
		10 kHz offset	-	-95	-	dBc/Hz
		100 kHz offset	-	-100	-	dBc/Hz
		1MHz offset	-	-120	-	dBc/Hz
		10 MHz offset	-	-135	-	dBc/Hz
TS_FS	Synthesizer wake-up time	From STDBY_XOSC mode	-	40	-	μs
TS_HOP	Synthesizer hop time	10 MHz step	-	30	-	μs
TS_OSC	Crystal oscillator wake-up time	from STDBY_RC <sup>3</sup>	-	150	-	μs
OSC_TRM	Crystal oscillator trimming range for crystal frequency error compensation <sup>4</sup>	min/max XTAL specifications	+/-15	+/-30	-	ppm
BR_F	Bit rate, FSK	Programmable Minimum modulation index is 0.5	0.6	-	300 <sup>5</sup>	kb/s
FDA	Frequency deviation, FSK	Programmable FDA + BR_F / 2 ≤ 250 kHz	0.6	-	200	kHz
BR_L	Bit rate LoRa®	Min. for SF12, BW_L = 7.8 kHz Max. for SF5, BW_L = 500 kHz	0.018	-	62.5 <sup>6</sup>	kb/s
BW_L	Signal BW, LoRa®	Programmable	7.8	-	500 <sup>6</sup>	kHz
SF	Spreading factor for LoRa®	Programmable, chips/symbol = 2 <sup>ΔSF</sup>	5	-	12	-
VTCXO	Regulated voltage range for TCXO voltage supply	Min/Max values in typical conditions, Typ value for default setting VDDop > VTCXO + 200 mV	1.6	1.7	3.3	V
ILTCXO	Load current for TCXO regulator		-	1.5	4	mA
TSVTCXO	Start-up time for TCXO regulator	From enable to regulated voltage within 25 mV from target	-	-	100	μs
IDDTCXO	Current consumption of the TCXO regulator	Quiescent current	-	-	70	μA
		Relative to load current	-	1	2	%
ATCXO	Amplitude voltage for external TCXO applied toXTA pin	provided through a 220 Ω resistor in series with a 10 pF capacitance See Section 4.2 "Phase-Locked Loop (PLL)" on page 24	0.4	0.6	1.2	Vpk-pk

1. Phase Noise specifications are given for the recommended PLL BW to be used for the specific modulation/BR, optimized settings may be used for specific applications
2. Phase Noise is not constant over frequency, due to the topology of the PLL, for two frequencies close to each other, the phase noise could change significantly
3. Wake-up time till crystal oscillator frequency is within +/- 10 ppm
4. OSC\_TRIM is the available trimming range to compensate for crystal initial frequency error and to allow crystal temperature compensation implementation; the total available trimming range is higher and allows the compensation for all IC process variations
5. Maximum bit rate is assumed to scale with the RF frequency; for example 300 kb/s in the 869/915 MHz frequency bands and only 50 kb/s at 150 MHz
6. For RF frequencies below 400 MHz, there is a scaling between the frequency and supported BW, some BW may not be available below 400 MHz

### 3.5.3 Receive Mode Specifications

**Table 3-8: Receive Mode Specifications**

Symbol	Description	Conditions	Min	Typ	Max	Unit
RXS_2FB	Sensitivity 2-FSK, RX Boosted gain, see <a href="#">Section 9.6</a> "Receive (RX) Mode" on page 57, split RF paths for Rx and Tx, RF switch insertion loss excluded	BR_F = 0.6 kb/s, FDA = 0.8 kHz, BW_F = 4 kHz	-	-125	-	dBm
		BR_F = 1.2 kb/s, FDA = 5 kHz, BW_F = 20 kHz	-	-123	-	dBm
		BR_F = 4.8 kb/s, FDA = 5 kHz, BW_F = 20 kHz	-	-118	-	dBm
		BR_F = 38.4 kb/s, FDA = 40 kHz, BW_F = 160 kHz	-	-109	-	dBm
		BR_F = 250 kb/s, FDA = 125 kHz, BW_F = 500 kHz	-	-104	-	dBm
RXS_LB	Sensitivity LoRa®, Rx Boosted gain, see <a href="#">Section 9.6</a> "Receive (RX) Mode" on page 57, split RF paths for Rx and Tx, RF switch insertion loss excluded	BW_L = 10.4 kHz, SF = 7	-	-134	-	dBm
		BW_L = 10.4 kHz, SF = 12	-	-148	-	dBm
		BW_L = 125 kHz, SF = 7	-	-124	-	dBm
		BW_L = 125 kHz, SF = 12	-	-137	-	dBm
		BW_L = 250 kHz, SF = 7	-	-121	-	dBm
		BW_L = 250 kHz, SF = 12	-	-134	-	dBm
		BW_L = 500 kHz, SF = 7	-	-117	-	dBm
BW_L = 500 kHz, SF = 12	-	-129	-	dBm		
RXS_2F	Sensitivity 2-FSK Rx Power Saving gain with direct tie connection between Rx and Tx	BR_F = 4.8 kb/s, FDA = 5 kHz, BW_F = 20 kHz	-	-115	-	dBm
RXS_L	Sensitivity LoRa® Rx Power Saving gain with direct tie connection between Rx and Tx	BW_L = 125 kHz, SF = 12	-	-133	-	dBm
CCR_F	Co-channel rejection, FSK		-	-9	-	dB
CCR_L	Co-channel rejection, LoRa®	SF = 7	-	5	-	dB
		SF = 12	-	19	-	dB
ACR_F	Adjacent channel rejection, FSK	Offset = +/- 50 kHz	-	45	-	dB
ACR_L	Adjacent channel rejection, LoRa®	Offset = +/- 1.5 x BW_L	-	60	-	dB
		BW_L = 125 kHz, SF = 7 BW_L = 125 kHz, SF = 12	-	72	-	dB

**Table 3-8: Receive Mode Specifications**

Symbol	Description	Conditions	Min	Typ	Max	Unit
BI_F	Blocking immunity, FSK	BR_F = 4.8 kb/s, FDA = 5 kHz, BW_F = 20 kHz				
		Offset = +/- 1 MHz	-	68	-	dB
		Offset = +/- 2 MHz	-	70	-	dB
		Offset = +/- 10 MHz	-	80	-	dB
BI_L	Blocking immunity, LoRa®	BW_L = 125 kHz, SF = 12				
		Offset = +/- 1 MHz	-	88	-	dB
		Offset = +/- 2 MHz	-	90	-	dB
		Offset = +/- 10 MHz	-	99	-	dB
IIP3	3rd order input intercept point	Unwanted tones are 1 MHz and 1.96 MHz above LO	-	-5	-	dBm
IMA	Image attenuation	Without IQ calibration	-	35	-	dB
		With IQ calibration	-	54	-	dB
BW_F	DSB channel filter BW, FSK	Programmable, typical values	4.8	-	467	kHz
TS_RX	Receiver wake-up time	FS to RX	-	41	-	µs
FERR_L	Maximum tolerated frequency offset between transmitter and receiver, no sensitivity degradation, SF5 to SF12	All bandwidths, ±25% of BW The tighter limit applies (see below)		±25%		BW
		SF12	-50	-	50	ppm
		SF11	-100	-	100	ppm
		SF10	-200	-	200	ppm

## 3.5.4 Transmit Mode Specifications

**Table 3-9: Transmit Mode Specifications**

Symbol	Description	Conditions	Min	Typ	Max	Unit
TXOP	Maximum RF output power	Highest power step setting				
		SX1261	-	+14/15 <sup>1</sup>	-	dBm
		SX1262	-	+22	-	dBm
TXDRP	RF output power drop versus supply voltage	SX1261, under DC-DC or LDO				
		VDDop range from 1.8 to 3.7 V	-	0.5	-	dB
		SX1262, +22 dBm, VBAT = 2.7 V	-	2	-	dB
		SX1262, +22 dBm, VBAT = 2.4 V	-	3	-	dB
		SX1262, +22 dBm, VBAT = 1.8 V	-	6	-	dB
TXPRNG	RF output power range	Programmable in 31 steps, typical value	TXOP-31	-	TXOP	dBm
TXACC	RF output power step accuracy		-	± 2	-	dB
TXRMP	Power amplifier ramping time	Programmable	10	-	3400	µs
TS_TX	Tx wake-up time	Frequency Synthesizer enabled	-	36 + PA ramping	-	µs

1. for SX1261 +15 dBm maximum RF output power can be reached with special settings, see Section 13.1.14.1 "PA Optimal Settings" on page 75.

## 3.5.5 Digital I/O Specifications

**Table 3-10: Digital I/O Specifications**

Symbol	Description	Conditions	Min	Typ	Max	Unit
VIH	Input High Voltage	-	0.7*VBAT_IO <sup>1</sup>	-	VBAT_IO <sup>1</sup> +0.3	V
VIL	Input Low Voltage	-	-0.3	-	0.3*VBAT_IO <sup>1</sup>	V
VIL_N	Input Low Voltage for pin NRESET	-	-0.3	-	0.2*VBAT	V
VOH	Output High Voltage	I <sub>max</sub> = -2.5 mA	0.9*VBAT_IO <sup>1</sup>	-	VBAT_IO <sup>1</sup>	V
VOL	Output Low Voltage	I <sub>max</sub> = 2.5 mA	0	-	0.1*VBAT_IO <sup>1</sup>	V
Ileak	Digital input leakage current (NSS, MOSI, SCK)	-	-1	-	1	µA

1. excluding following pins: NRESET and DIO3, which are referred to VBAT

## 4. Circuit Description

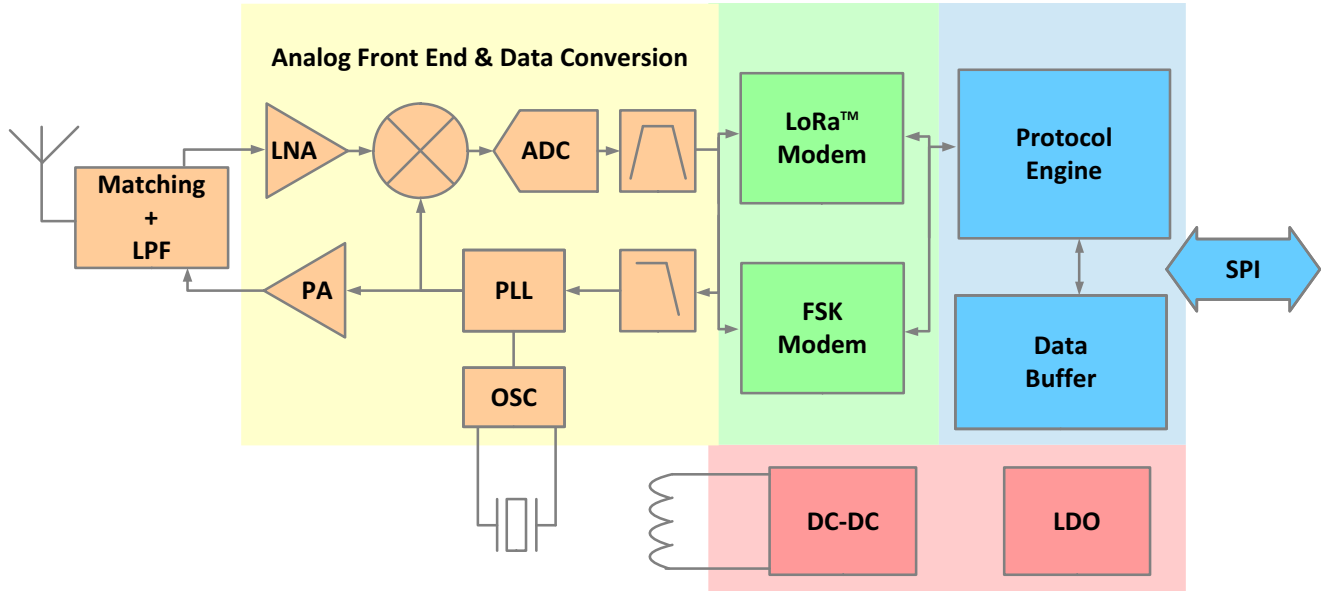


Figure 4-1: SX1261/2 Block Diagram

SX1261 and SX1262 are half-duplex RF transceivers operating in the sub-GHz frequency bands and can handle constant envelope modulations schemes such as LoRa® or FSK.

### 4.1 Clock References

#### 4.1.1 RC Frequency References

Two RC oscillators are available: 64 kHz and 13 MHz RC oscillators. The 64 kHz RC oscillator ([RC64k](#)) is optionally used by the circuit in SLEEP mode to wake-up the transceiver when performing periodic or duty cycled operations. Several commands make use of this 64 kHz RC oscillator (called [RTC](#) across this document) to generate time-based events. The 13 MHz RC oscillator ([RC13M](#)) is enabled for all SPI communication to permit configuration of the device without the need to start the crystal oscillator. Both RC oscillators are supplied directly from the battery.

#### 4.1.2 High-Precision Frequency Reference

In SX1261/2 the high-precision frequency reference can come either from an on-chip crystal oscillator (OSC) using an external crystal resonator or from an external [TCXO](#) (Temperature Compensated Crystal Oscillator), supplied by an internal regulator.

The SX1261/2 comes in a small form factor 4 x 4 mm QFN package with the SX1262 able to transmit up to +22 dBm. When in transmit mode the circuit may heat up depending on the output power and current consumption. Careful PCB design using thermal isolation techniques must be applied between the circuit and the crystal resonator to avoid transferring the heat to the external crystal resonator.

When using the LoRa® modulation with LowDataRateOptimize set to 0x00 (see Section Table 13-50: "LoRa® ModParam4 - LowDataRateOptimize" on page 87), the total frequency drift over the packet transmission time should be minimized and kept lower than  $Freq\_drift\_max$ :

$$Freq\_drift\_max = \frac{BW\_L}{3 * 2^{SF}}$$

When possible, using LowDataRateOptimize set to 0x01 will significantly relax the total frequency drift over the packet transmission requirement to  $16 \times Freq\_drift\_max$ .

**Note:**

Recommendations for heat dissipation techniques to be applied to the PCB designs are given in detail in the application note AN1200.37 "Recommendations for Best Performance" on [www.semtech.com](http://www.semtech.com).

In miniaturized design implementations where heat dissipations techniques cannot be implemented or the use of the LowDataRateOptimize is not supported, the use of a TCXO will provide a more stable clock reference.

### 4.1.3 XTAL Control Block

The SX1261/2 does not require the user to set external foot capacitors on the XTAL supplying the 32 MHz clock. Indeed, the device is fitted with internal programmable capacitors connected independently to the pins XTA and XTB of the device. Each capacitor can be set independently, balanced or unbalanced to each other, by 0.47 pF typical steps.

**Table 4-1: Internal Foot Capacitor Configuration**

Pin	Register Address	Typical Values
XTA	0x0911	Each capacitor can be controlled independently in steps of 0.47 pF added to the minimal value: 0x00 sets the trimming cap to 11.3 pF (minimum) 0x2F sets the trimming cap to 33.4 pF (maximum)
XTB	0x0912	

**Note when using an XTAL:**

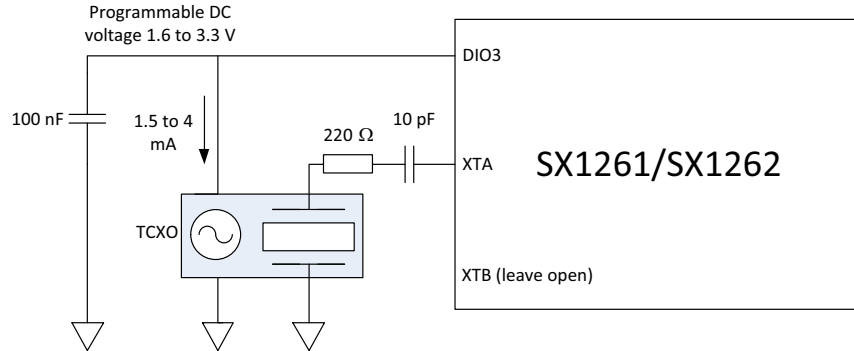
At POR or when waking-up from Sleep in cold start mode, the trimming cap registers will be initialized at the value 0x05 (13.6 pF). Once the device is set in STDBY\_XOSC mode, the internal state machine will overwrite both registers to the value 0x12 (19.7pF). Therefore, the user must ensure the device is already in STDBY\_XOSC mode before changing the trimming cap values so that they are not overwritten by the state machine.

**Note when using a TCXO:**

Once the command *SetDIO3AsTCXOCtrl(...)* is sent to the device, the register controlling the internal cap on XTA will be automatically changed to 0x2F (33.4 pF) to filter any spurious which could occur and be propagated to the PLL.

## 4.1.4 TCXO Control Block

Under certain circumstances, typically small form factor designs with reduced heat dissipation or environments with extreme temperature variation, it may be required to use a TCXO (Temperature Compensated Crystal Oscillator) to achieve better frequency accuracy. This depends on the complete system, transmitter and receiver. The specification FERR\_L in [Section Table 3-8: "Receive Mode Specifications" on page 19](#) provides information on the maximum tolerated frequency offset for optimal receiver performance.



**Figure 4-2: TCXO Control Block**

When a TCXO is used, it should be connected to pin 3 XTA, through a 220 Ω resistor and a 10 pF DC-cut capacitor. Pin 4 XTB should be left open. Pin 6 DIO3 can be used to provide a regulated DC voltage to power the TCXO, programmable from 1.6 to 3.3 V. VBAT should always be 200 mV higher than the programmed voltage to ensure proper operation.

The nominal current drain is 1.5 mA, but the regulator can support up to 4 mA of load. Clipped-sine output TCXO are required, with the output amplitude not exceeding 1.2 V peak-to-peak. The commands to enable TCXO mode are described in [Section 13.3.6 "SetDIO3AsTCXOCtrl" on page 80](#), and that includes DC voltage and timing information.

### Note:

A complete Reset of the chip as described in [Section 8.1 "Reset" on page 49](#) is required to get back to normal XOSC operation, after the chip has been set to TCXO mode with the command *SetDIO3AsTCXOCtrl*.

## 4.2 Phase-Locked Loop (PLL)

A fractional-N third order sigma-delta PLL acts as the frequency synthesizer for the LO of both receiver and transmitter chains. SX1261/2 is able to cover continuously all the sub-GHz frequency range 150-960 MHz. The PLL is capable of auto-calibration and has low switching-on or hopping times. Frequency modulation is performed inside the PLL bandwidth. The PLL frequency is derived from the crystal oscillator circuit which uses an external 32 MHz crystal reference.



## 4.3 Receiver

The received RF signal is first amplified by a differential Low Noise Amplifier (LNA), then down-converted to low-IF intermediate frequency by mixers operating in quadrature configuration. The I and Q signals are low-pass filtered and then digitized by a continuous time feedback architecture  $\Sigma\Delta$  converter (ADC) allowing more than 80 dB dynamic range. Once in the digital domain the signal is then decimated, down-converted again, decimated again, channel filtered and finally demodulated by the selected modem depending on modulation scheme: FSK modem or LoRa® modem.

### 4.3.1 Intermediate Frequencies

The SX1261/2 receiver mostly operates in low-IF configuration, expect for specific high-bandwidth settings.

**Table 4-2: Intermediate Frequencies in FSK Mode**

Setting Name	Bandwidth [kHz DSB]	Intermediate Frequency [kHz]
RX_BW_467	467.0	250
RX_BW_234	234.3	250
RX_BW_117	117.3	250
RX_BW_58	58.6	250
RX_BW_29	29.3	250
RX_BW_14	14.6	250
RX_BW_7	7.3	250
RX_BW_373	373.6	200
RX_BW_187	187.2	200
RX_BW_93	93.8	200
RX_BW_46	46.9	200
RX_BW_23	23.4	200
RX_BW_11	11.7	200
RX_BW_5	5.8	200
RX_BW_312	312.0	167
RX_BW_156	156.2	167
RX_BW_78	78.2	167
RX_BW_39	39.0	167
RX_BW_19	19.5	167
RX_BW_9	9.7	167
RX_BW_4	4.8	167

**Table 4-3: Intermediate Frequencies in LoRa® Mode**

BW Setting	Bandwidth [kHz DSB]	Intermediate Frequency [kHz]
LORA_BW_500	500	0
LORA_BW_250	250	250
LORA_BW_125	125	250
LORA_BW_62	62.5	250
LORA_BW_41	41.67	167
LORA_BW_31	31.25	250
LORA_BW_20	20.83	167
LORA_BW_15	15.63	250
LORA_BW_10	10.42	167
LORA_BW_7	7.81	250

## 4.4 Transmitter

The transmit chain uses the modulated output from the modem bank which directly modulates the fractional-N PLL. An optional pre-filtering of the bit stream can be enabled to reduce the power in the adjacent channels, also dependent on the selected modulation type.

The default maximum RF output power of the transmitter is +14/15 dBm for SX1261 and +22 dBm for SX1262. The RF output power is programmable with 32 dB of dynamic range, in 1 dB steps. The power amplifier ramping time is also programmable to meet regulatory requirements.

The power amplifier is supplied by the regulator VR\_PA and the connection between VR\_PA and RFO is done externally to the chip. As illustrated in [Figure 4-3: PA Supply Scheme in DC-DC Mode](#), the supply used for VR\_PA is different between the two circuit versions:

- in **SX1261**: VR\_PA, supplied through VDD\_IN, is taken from a voltage regulator (DC-DC or LDO), allowing a very small variation of the output power versus supply voltage;
- in **SX1262**: VR\_PA, supplied through VDD\_IN, is taken directly from the battery and in this case maximum output power is limited by supply voltage at VDD\_IN.

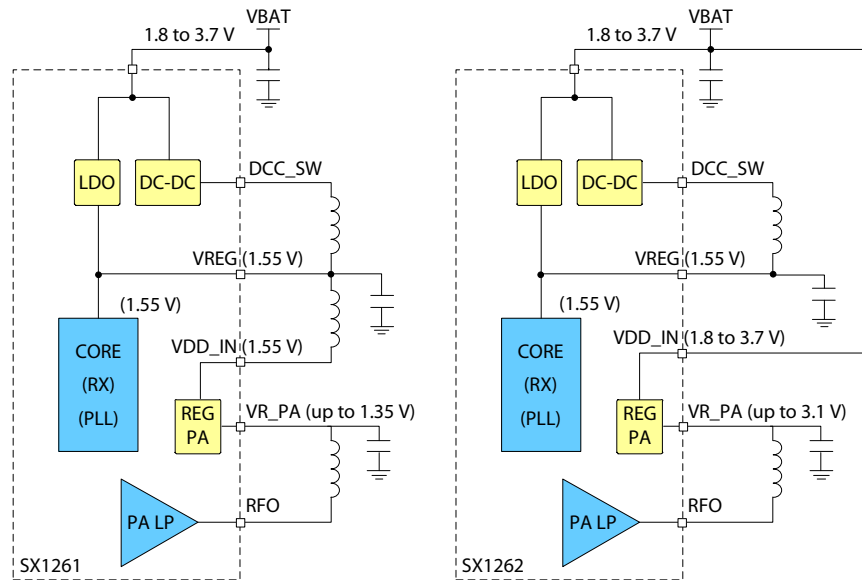


Figure 4-3: PA Supply Scheme in DC-DC Mode

#### 4.4.1 SX1261 Power Amplifier Specifics

**Caution!**

All figures in this chapter are indicative and typical, and are not a specification. These figures only highlight behavior of the PA over voltage and current.

In the SX1261, the power efficiency of the transmitter is maximized when the internal DC-DC regulator is used. The voltage on VR\_PA varies from about 20 mV to 1.35 V to achieve the programmed Output Power (Pout).

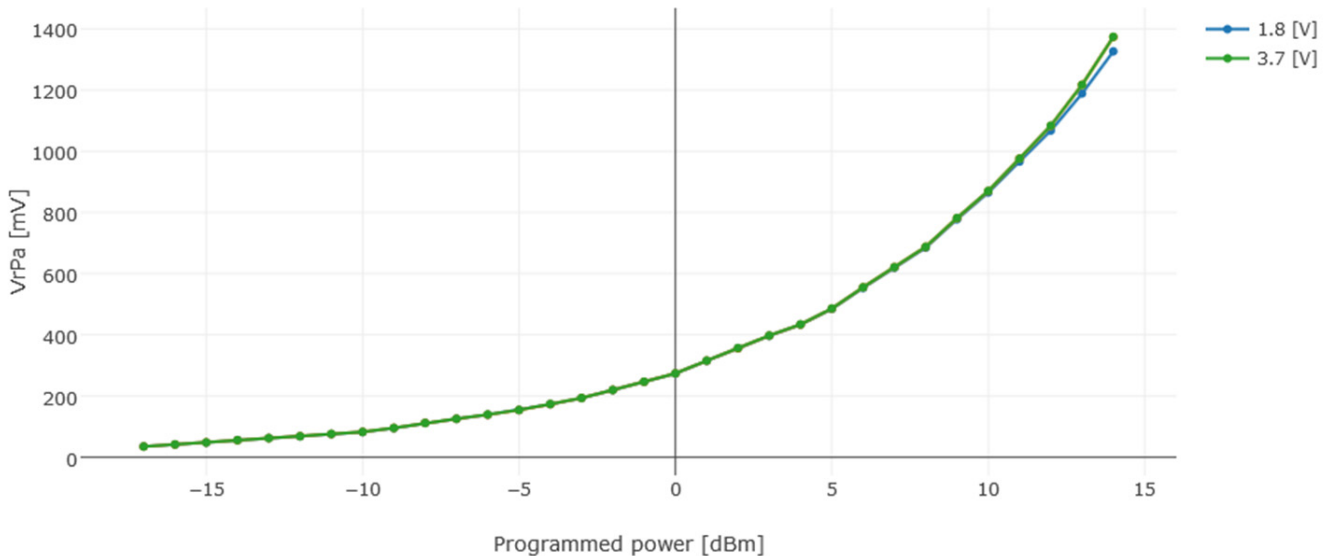
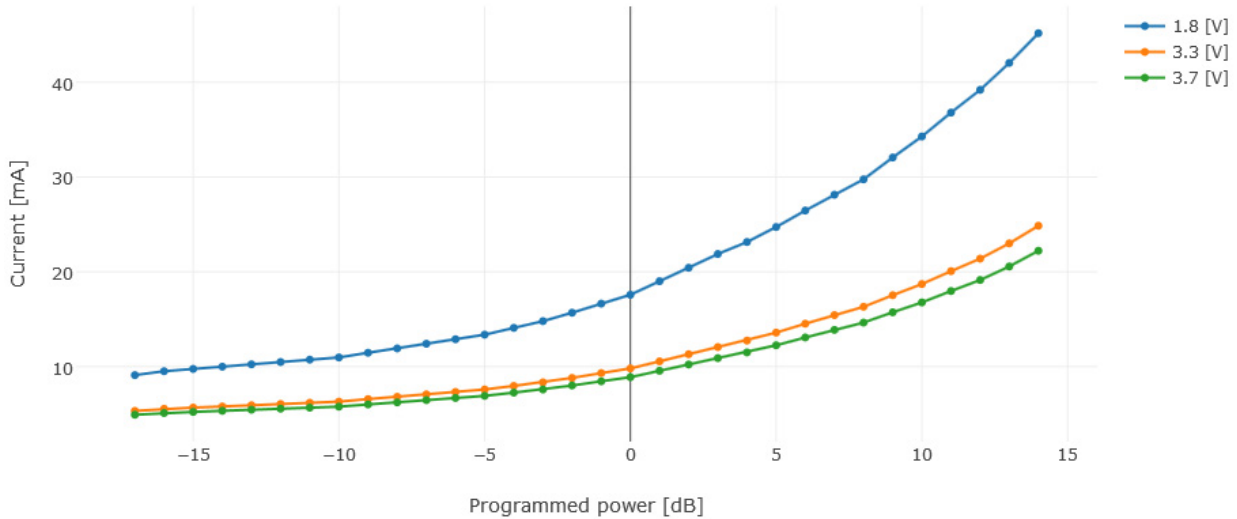


Figure 4-4: VR\_PA versus Output Power on the SX1261

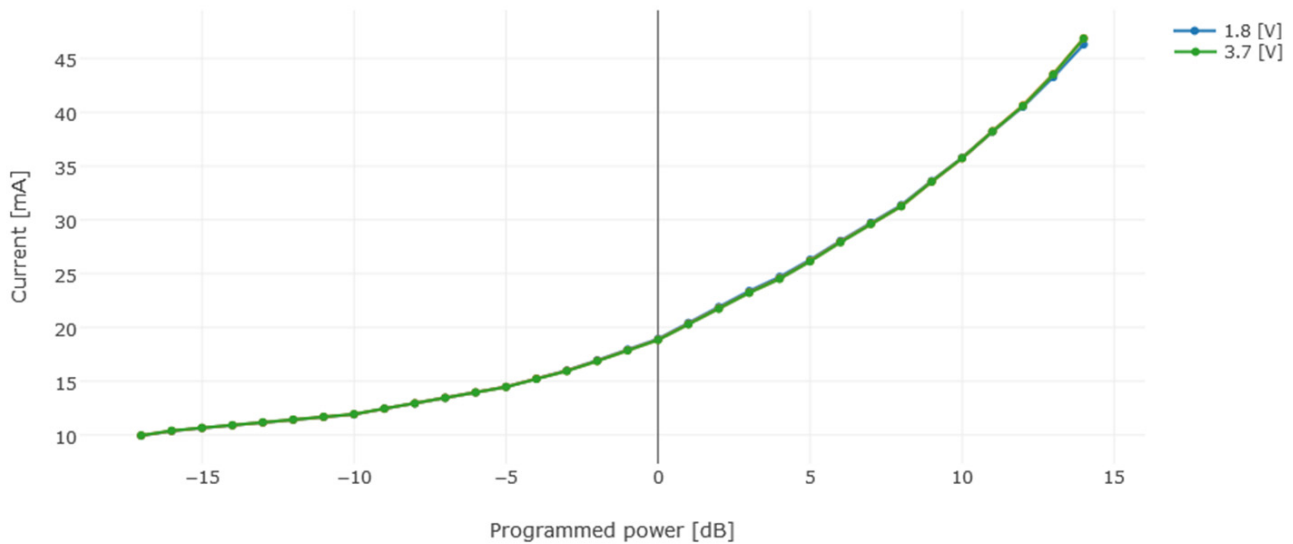
With this method, the output power is kept almost constant with VBAT from 1.8 to 3.7 V.

When the DC-DC regulator is used the total power consumption will directly be impacted by the supply voltage. For instance, when 17 mA are needed on VBAT to output +10 dBm with VBAT = 3.7 V, the same output and will require 34 mA when VBAT = 1.8 V.



**Figure 4-5: Current versus Output Power with DC-DC Regulation on the SX1261**

However, when LDO is chosen, the current drain will remain flat for VBAT between 1.8 V and 3.7 V, at the expense of a much lower energy efficiency:



**Figure 4-6: Current versus Output Power with LDO Regulation on the SX1261**

The following plot also confirms the linearity of the output power curve at nominal and extreme voltage levels:

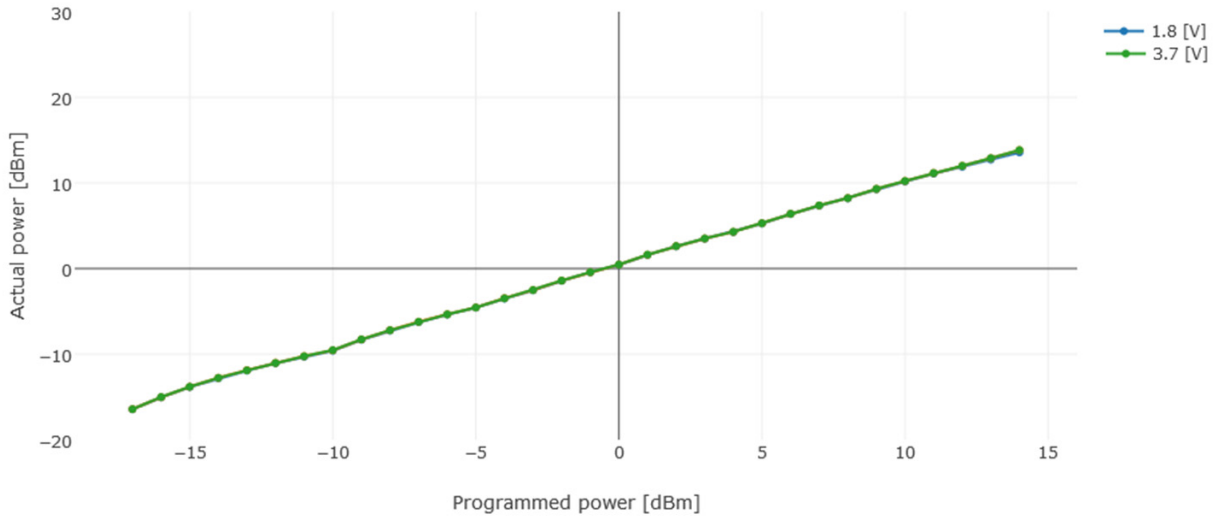


Figure 4-7: Power Linearity on the SX1261 with either LDO or DC-DC Regulation

## 4.4.2 SX1262 Power Amplifier Specifics

### Caution!

All figures below are indicative and typical, and are not a specification. These figures only highlight behavior of the PA over voltage and current.

Figures for the SX1262 are given with DC-DC regulation enabled, which applies only to the circuit core.

On the SX1262, the PA is optimized for maximum output power whilst maximizing the efficiency, which makes it mandatory to supply the power amplifier with fairly high voltages to maintain an high output power. To summarize:

- the current efficiency of the PA is optimal at the highest output power step
- output power will be limited by the voltage supplied to VBAT.

This is illustrated in the following figure:

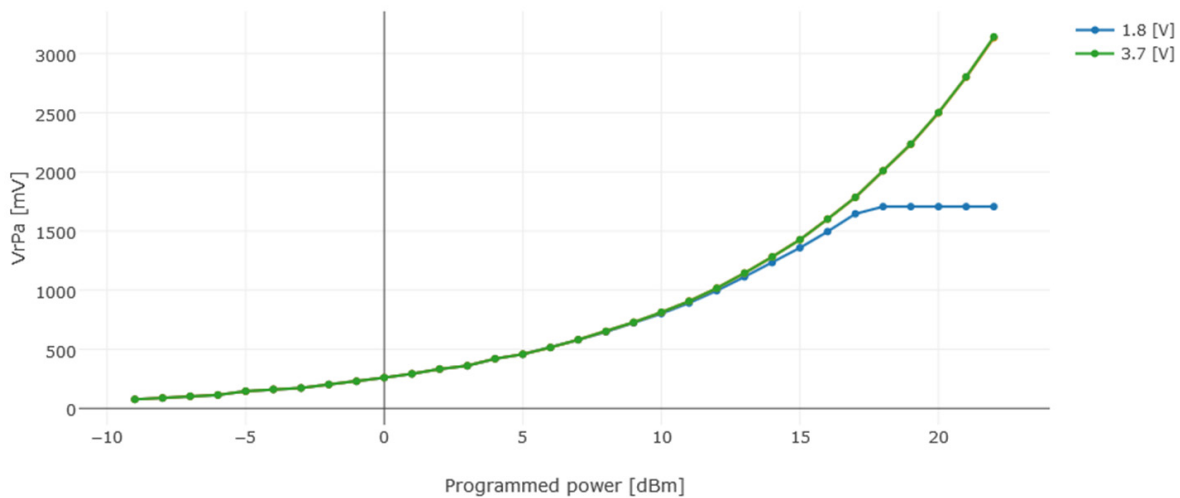
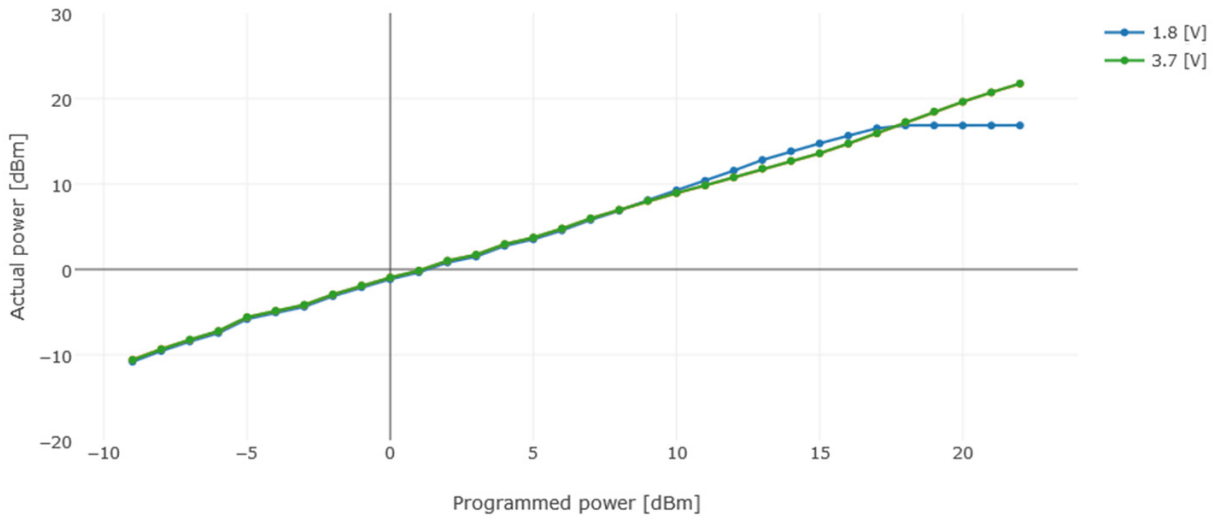


Figure 4-8: VR\_PA versus Output Power on the SX1262

The internal regulator for VR\_PA has a little less than 200 mV of drop-out, which means VBAT must be 200 mV higher than the published VR\_PA voltages in order to attain the corresponding output power. For example, for  $P_{out} = +20$  dBm, VR\_PA = 2.5 V is required, which means that the SX1262 will be able to maintain  $P_{out} = +20$  dBm on the  $2.7\text{ V} < V_{BAT} < 3.7\text{ V}$  voltage range. Below 2.7 V, the output power will degrade as VBAT reduces.

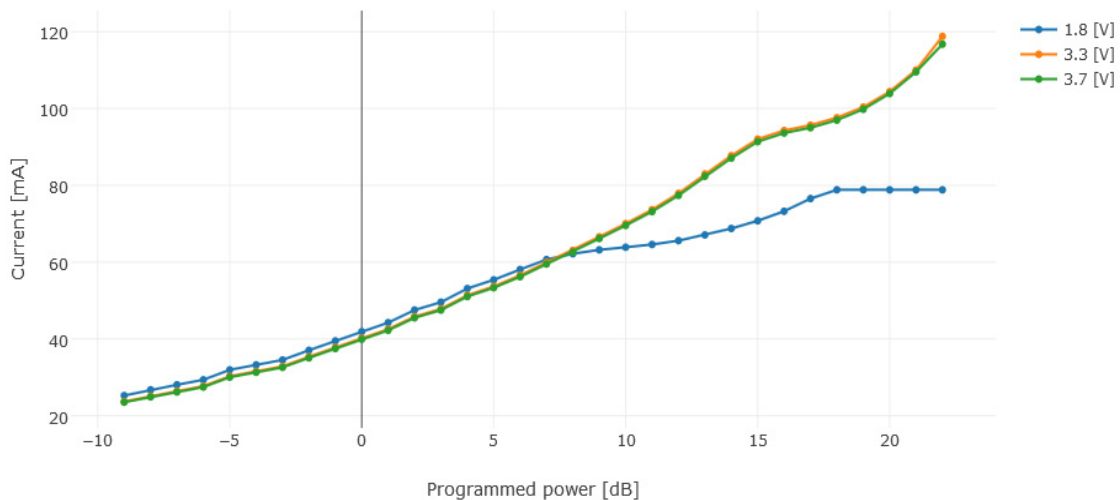
As can be seen from the blue curve on [Figure 4-8: VR\\_PA versus Output Power on the SX1262](#), the SX1262 will be capable of supplying almost 1.7 V when  $V_{BAT} = 1.8\text{ V}$ , which, in turn, will make the output power plateau at +17 dBm for all power settings above +17 dBm.

The following plot confirms the linearity of the output power, as long as the VBAT voltage is high enough to supply the required VR\_PA voltage:



**Figure 4-9: Power Linearity on the SX1262**

The power consumption evolves with the programmed output power, as follows (DC-DC regulation):



**Figure 4-10: Current versus Programmed Output Power on the SX1262**

### 4.4.3 Power Amplifier Summary

The following table summarizes the power amplifier optimization keys in the SX1261 and SX1262 transceivers:

**Table 4-4: Power Amplifier Summary**

PA Summary	Conditions	SX1261	SX1262
Max Power	with relevant matching and settings	+14 /15 dBm	+ 22 dBm
IDDTX	at + 22 dBm, indicative	-	118 mA
	at + 14 dBm, indicative	25.5 mA	90/45 <sup>1</sup> mA
Output Power vs VBAT		flat from VBAT = 1.8 V to 3.7 V	flat from 3.3 V to 3.7 V VBAT = 3.1 V for +22 dBm VBAT = 2.7 V for +20 dBm VBAT = 1.8 V for +16 dBm
IDDTX vs VBAT		inversely proportional to VBAT, DC - DC buck converter is used for PA supply	-

1. See Section 13.1.14.1 "PA Optimal Settings" on page 75.

# 5. Power Distribution

## 5.1 Selecting DC-DC Converter or LDO Regulation

Two forms of voltage regulation (DC-DC buck converter or linear LDO regulator) are available depending upon the design priorities of the application. The linear LDO regulator is always present in all modes but the transceiver will use DC-DC when selected. Alternatively a high efficiency DC to DC buck converter (DC-DC) can be enabled in FS, Rx and Tx modes.

The DC-DC can be driven by two clock sources:

- in STDBY\_XOSC: RC13M is used to supply clock and the frequency is RC13M / 4 so the switching frequency of the DC-DC converter will be 3.25 MHz
- in FS, RX, TX: the PLL is used to supply clock and the frequency is ~5MHz; every time the command *SetRFFrequency(...)* is called the divider ratio is recalculated so that the switching frequency is as close as possible to the 5 MHz target.

Unless specified, all specifications of the transceiver are given with the DC-DC regulator enabled. For applications where cost and size are constrained, LDO-only operation is possible which negates the need for the 47nH inductor before pin 1 and the 15 µH inductor between pins 7 and 9, conferring the benefits of a reduced bill of materials and reduced board space. The following table illustrates the power regulation options for different modes and user settings.

**Table 5-1: Regulation Type versus Circuit Mode**

Circuit Mode	Sleep	STDBY_RC	STDBY_XOSC	FS	Rx	Tx
Regulator Type = 0	-	LDO	LDO	LDO	LDO	LDO
Regulator Type = 1	-	LDO	DC-DC + LDO	DC-DC + LDO	DC-DC + LDO	DC-DC + LDO

The user can specify the use of DC-DC by using the command *SetRegulatorMode(...)*. This operation must be carried out in STDBY\_RC mode only.

When the DC-DC is enabled, the LDO will remain On and its target voltage is set 50 mV below the DC-DC voltage to ensure voltage stability for high current peaks. If the DC-DC voltage drops to this level due to high current peak, the LDO will cover for the current need at the expense of the energy consumption of the radio which will be increased.

However, to avoid consuming too much energy, the user is free to configure the Over Current Protection (OCP) register manually. At Reset, the OCP is configured to limit the current at 60 mA.

**Table 5-2: OCP Configuration**

Circuit	Register Address	OCP default	Maximum Current
SX1261	0x08E7	0x18	60 mA
SX1262	0x08E7	0x38	140 mA

The OCP is configurable by steps of 2.5 mA and the default value is re-configured automatically each time the function *SetPaConfig(...)* is called. If the user wants to adjust the OCP value, it is necessary to change the register as a second step after calling the function *SetPaConfig(...)*.



**Note:**

The user should pay attention to the dependency of the current drain versus VBAT when using the SX1261 in DC-DC mode. Because the current drained is inversely proportional to VBAT (for instance for  $P_{out} = +14$  dBm, 25.5 mA at 3.3 V, and 48 mA at 1.8 V), the OCP current limit should be set high enough to accommodate a current increase or be dynamically set.

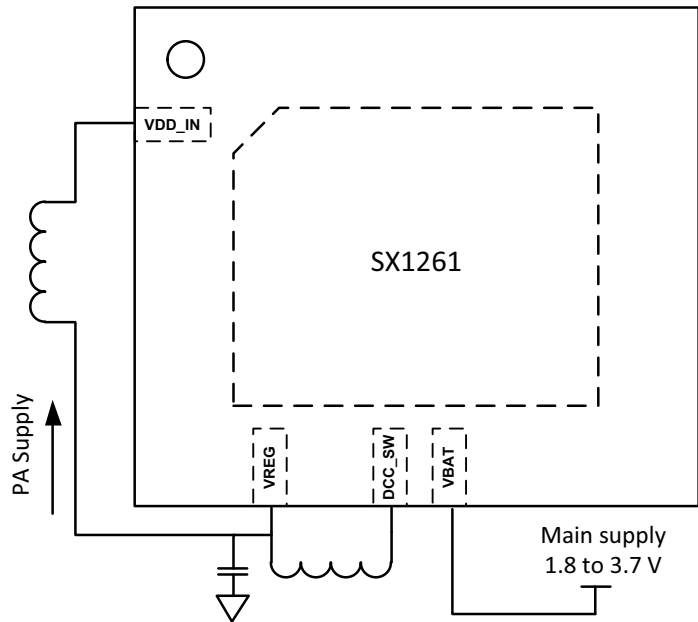
Another strategy is to set the OCP to a specific limit and accept a drop of the output power of the device when the OCP starts limiting the current consumption.

### 5.1.1 Option A: SX1261 with DC-DC Regulator

The DC-DC Regulator is used with about 90% of efficiency, for the chip core and Power Amplifier (PA).

Advantage of this option:

The power consumption is drastically reduced at 3.3 V, output power is maintained from VBAT = 1.8 V to 3.7 V.



**Figure 5-1: SX1261 Diagram with the DC-DC Regulator Power Option**

## 5.1.2 Option B: SX1261 with LDO Regulator

The LDO Regulator is used, for both the core of the chip and the PA.

### Advantage of this option:

The cost and space for the external 15  $\mu$ H and 47 nH inductors are spared.

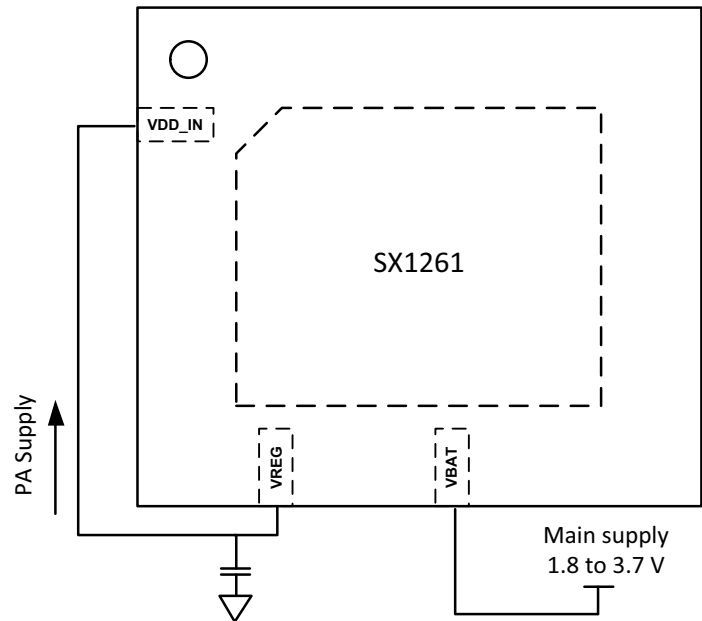


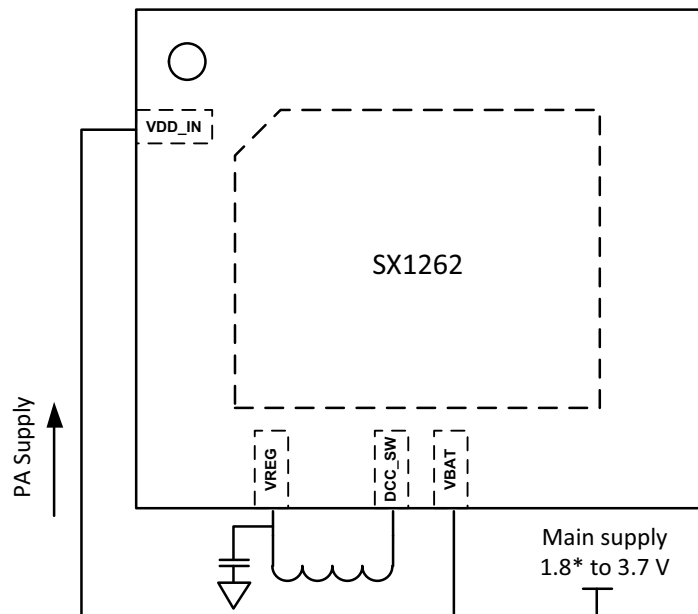
Figure 5-2: SX1261 Diagram with the LDO Regulator Power Option

## 5.1.3 Option C: SX1262 with DC-DC Regulator

The DC-DC Regulator is used with about 90% of efficiency, for the chip core only. The PA regulator is supplied with VBAT.

### Advantage of this option:

The power consumption of the core is reduced.



\*VBAT=3.3 V min. to reach +22 dBm

Figure 5-3: SX1262 Diagram with the DC-DC Regulator Power Option

## 5.1.4 Option D: SX1262 with LDO Regulator

The LDO Regulator is used. Power consumption of the core is slightly higher than in Option C.

### Advantage of this option:

The cost and space for an external 15  $\mu\text{H}$  inductor are spared.

\* VBAT=3.3 V min. to reach +22 dBm

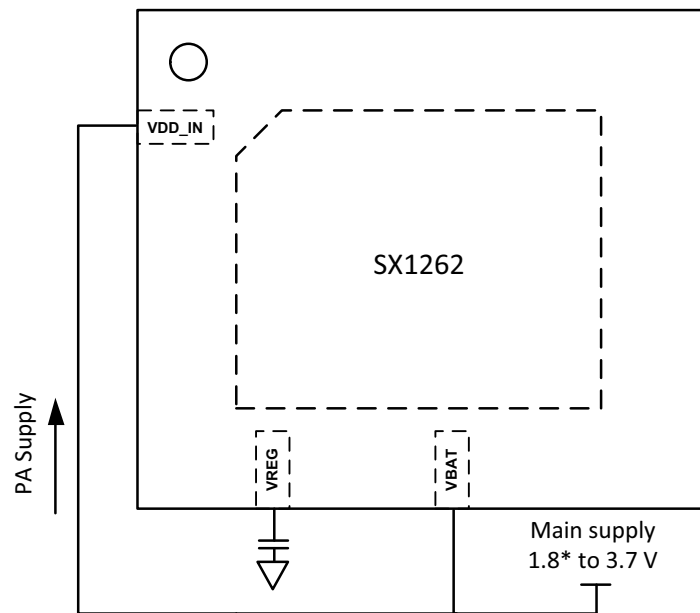


Figure 5-4: SX1262 Diagram with the LDO Regulator Power Option

## 5.1.5 Consideration on the DC-DC Inductor Selection

The selection of the inductor is essential to ensure optimal performance of the DC-DC internal block. Selecting an incorrect inductor could cause various unwanted effects ranging from ripple currents to early aging of the device, as well as a degradation of the efficiency of the DC-DC regulator.

For the SX1261/2, the preferred inductor will be shielded, presenting a low internal series resistance and a resonance frequency much higher than the DC-DC switching frequency. When selecting the 15  $\mu\text{H}$  inductor, the user should therefore select a part with the following considerations:

- DCR (max) = 2 ohms
- Idc (min) = 100 mA
- Freq (min) = 20 MHz

Table 5-3: Typical 15  $\mu\text{H}$  Inductors

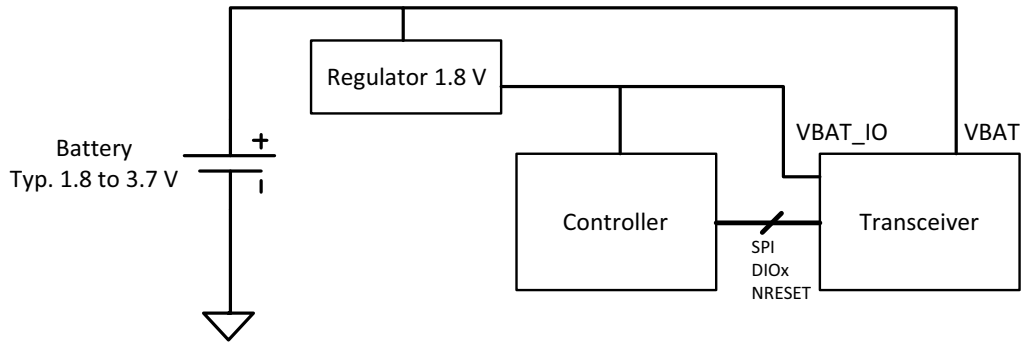
Reference	Manufacturer	Value ( $\mu\text{H}$ )	Idc max (mA)	Freq (MHz)	DCR (ohm)	Package (L x W x H in mm)
LPS3010-153	Coilcraft	15	370	43	0.95	2.95 x 2.95 x 0.9
MLZ2012N150L	TDK	15	90	40	0.47	2 x 1.25 x 1.25
MLZ2012M150W	TDK	15	120	40	0.95	2 x 1.25 x 1.25
VLS2010ET-150M	TDK	15	440	40	1.476	2 x 2 x 1
VLS2012ET-150M	TDK	15	440	40	1.062	2 x 2 x 1.2

## 5.2 Flexible DIO Supply

The transceiver has two power supply pins, one for the core of the transceiver called VBAT and one for the host controller interface (SPI, DIOs, BUSY) called VBAT\_IO. Both power supplies can be connected together in application. In case a low voltage micro-controller (typically with IO pads at 1.8 V) is used to control the transceiver, the user can:

- use VBAT at 3.3 V for optimal RF performance
- directly connect VBAT\_IO to the same supply used for the micro-controller
- connect the digital IOs directly to the micro-controller DIOs.

At any time, VBAT\_IO must be lower than or equal to VBAT.



Requirement:  $V_{BAT} \geq V_{BAT\_IO}$

**Figure 5-5: Separate DIO Supply**

---

## 6. Modems

The SX1261/2 contains different modems capable of handling LoRa® and FSK modulations. LoRa® and FSK are associated with their own frame and modem.

- LoRa® modem ⇔ LoRa® Frame
- FSK modem ⇔ FSK Frame

The user specifies the modem and frame type by using the command *SetPacketType(...)*. This command specifies the frame used and consequently the modem implemented.

This function is the first one to be called before going to Rx or Tx and before defining modulation and packet parameters. The command *GetPacketType()* returns the current protocol of the radio.

### 6.1 LoRa® Modem

The LoRa® modem uses spread spectrum modulation and forward error correction techniques to increase the range and robustness of radio communication links compared to traditional FSK based modulation.

An important facet of the LoRa® modem is its increased immunity to interference. The LoRa® modem is capable of co-channel GMSK rejection of up to 19 dB. This immunity to interference permits the simple coexistence of LoRa® modulated systems either in bands of heavy spectral usage or in hybrid communication networks that use LoRa® to extend range when legacy modulation schemes fail.

#### 6.1.1 Modulation Parameter

It is possible to optimize the LoRa® modulation for a given application, access is given to the designer to four critical design parameters, each one permitting a trade-off between the link budget, immunity to interference, spectral occupancy and nominal data rate. These parameters are:

- Modulation BandWidth (BW\_L)
- Spreading Factor (SF)
- Coding Rate (CR)
- Low Data Rate Optimization (LDRO)

These parameters are set using the command *SetModulationParams(...)* which must be called after defining the protocol.

##### 6.1.1.1 Spreading Factor

The spread spectrum LoRa® modulation is performed by representing each bit of payload information by multiple chips of information. The rate at which the spread information is sent is referred to as the symbol rate (Rs), the ratio between the nominal symbol rate and chip rate is the spreading factor and it represents the number of symbols sent per bit of information.

##### Consideration on SF5 and SF6

In the SX1261/2, two new spreading factors have been added compared to the previous device family: the SF5 and the SF6. These two new spreading factors have been modified slightly for the SX1261/2 and will now be able to operate in both implicit and explicit mode. However, these modification have made the new spreading factor incompatible with previous device generation. Especially, the SF6 on the SX1261/2 will **not** be backward compatible with the SF6 used on the SX1276.

Furthermore, due to the higher symbol rate, the minimum recommended preamble length needed to ensure correct detection and demodulation from the receiver is increased compared to other Spreading Factors. For SF5 and SF6, the user is invited to use 12 symbols of preamble to have optimal performances over the dynamic range of the receiver.

**Note:**

The spreading factor must be known in advance on both transmit and receive sides of the link as different spreading factors are orthogonal to each other. Note also the resulting Signal to Noise Ratio (SNR) required at the receiver input.

It is the capability to receive signals with negative SNR that increases the sensitivity as well as link budget and range of the LoRa® receiver.

**Table 6-1: Range of Spreading Factors (SF)**

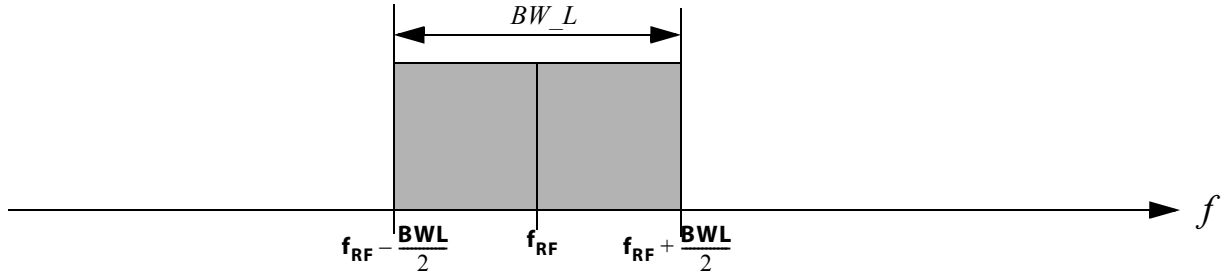
Spreading Factor (SF)	5	6	7	8	9	10	11	12
2 <sup>SF</sup> (Chips / Symbol)	32	64	128	256	512	1024	2048	4096
Typical LoRa® Demodulator SNR [dB]	-2.5	-5	-7.5	-10	-12.5	-15	-17.5	-20

A higher spreading factor provides better receiver sensitivity at the expense of longer transmission times (time-on-air).

**6.1.1.2 Bandwidth**

An increase in signal bandwidth permits the use of a higher effective data rate, thus reducing transmission time at the expense of reduced sensitivity improvement.

LoRa® modem operates at a programmable bandwidth (BW<sub>L</sub>) around a programmable central frequency f<sub>RF</sub>



**Figure 6-1: LoRa® Signal Bandwidth**

An increase in LoRa® signal bandwidth (BW<sub>L</sub>) permits the use of a higher effective data rate, thus reducing transmission time at the expense of reduced sensitivity improvement. There are regulatory constraints in most countries on the permissible occupied bandwidth. The LoRa® modem bandwidth always refers to the double side band (DSB). The range of LoRa® signal bandwidths available is given in the table below:

**Table 6-2: Signal Bandwidth Setting in LoRa® Mode**

Signal Bandwidth	0	1	2	3	4	5	6	7	8	9
BW <sub>L</sub> [kHz]	7.81	10.42	15.63	20.83	31.25	41.67	62.5	125	250 <sup>1</sup>	500 <sup>1</sup>

1. For RF frequencies below 400 MHz, there is a scaling between the frequency and supported BW, some BW may not be available below 400 MHz

---

For BW\_L up to 250 kHz, the receiver performs a double conversion. A first down conversion to low-IF is performed inside the RF chain, a second conversion to baseband is performed digitally inside the baseband modem. When the 500 kHz bandwidth is used, a single down-conversion to zero-IF is performed in the RF part.

### 6.1.1.3 FEC Coding Rate

To further improve the robustness of the link the LoRa® modem employs cyclic error coding to perform forward error detection and correction.

Forward Error Correction (FEC) is particularly efficient in improving the reliability of the link in the presence of interference. So that the coding rate and robustness to interference can be changed in response to channel conditions. The coding rate selected on the transmitter side is communicated to the receiver through the header (when present).

**Table 6-3: Coding Rate Overhead**

Coding Rate	Cyclic Coding Rate CR [in raw bits / total bits]	Overhead Ratio
1	4/5	1.25
2	4/6	1.5
3	4/7	1.75
4	4/8	2

A higher coding rate provides better noise immunity at the expense of longer transmission time. In normal conditions a factor of 4/5 provides the best trade-off; in the presence of strong interferers a higher coding rate may be used. Error correction code does not have to be known in advance by the receiver since it is encoded in the header part of the packet.

### 6.1.1.4 Low Data Rate Optimization

For low data rates (typically for high SF or low BW) and very long payloads which may last several seconds in the air, the low data rate optimization (LDRO) can be enabled. This reduces the number of bits per symbol to the given SF minus two (see Section 6.1.4 "LoRa® Time-on-Air" on page 41) in order to allow the receiver to have a better tracking of the LoRa® signal. Depending on the payload size, the low data rate optimization is usually recommended when a LoRa® symbol time is equal or above 16.38 ms.

### 6.1.1.5 LoRa® Transmission Parameter Relationship

With a knowledge of the key parameters that can be selected by the user, the LoRa® symbol rate is defined as:

$$R_s = \frac{BW}{2^{SF}}$$

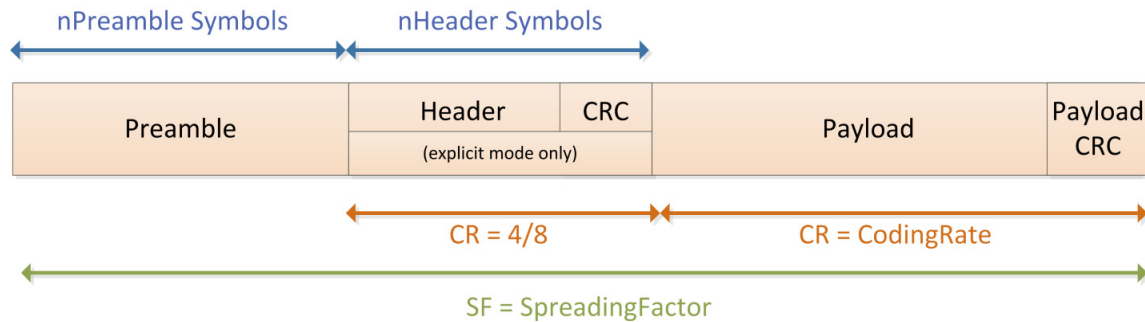
where BW is the programmed bandwidth and SF is the spreading factor. The transmitted signal is a constant envelope signal. Equivalently, one chip is sent per second per Hz of bandwidth.

## 6.1.2 LoRa® Packet Engine

LoRa® has its own packet engine that supports the LoRa® PHY as described in the following section.

## 6.1.3 LoRa® Frame

The LoRa® modem employs two types of packet formats: explicit and implicit. The explicit packet includes a short header that contains information about the number of bytes, coding rate and whether a CRC is used in the packet. The packet format is shown in the following figure.



**Figure 6-2: LoRa® Packet Format**

The LoRa® packet starts with a preamble sequence which is used to synchronize the receiver with the incoming signal. By default the packet is configured with a 12-symbol long sequence. This is a programmable variable so the preamble length may be extended; for example, in the interest of reducing the receiver duty cycle in receive intensive applications. The transmitted preamble length may vary from 10 to 65535 symbols, once the fixed overhead of the preamble data is considered. This permits the transmission of near arbitrarily long preamble sequences.

The receiver undertakes a preamble detection process that periodically restarts. For this reason the preamble length should be configured as identical to the transmitter preamble length. Where the preamble length is not known, or can vary, the maximum preamble length should be programmed on the receiver side.

The preamble is followed by a header which contain information about the following payload. The packet payload is a variable-length field that contains the actual data coded at the error rate either as specified in the header in explicit mode or as selected by the user in implicit mode. An optional CRC may be appended.

Depending upon the chosen mode of operation two types of header are available.

### 6.1.3.1 Explicit Header Mode

This is the default mode of operation. Here the header provides information on the payload, namely:

- The payload length in bytes
- The forward error correction coding rate
- The presence of an optional 16-bit CRC for the payload

The header is transmitted with maximum error correction code (4/8). It also has its own CRC to allow the receiver to discard invalid headers.

### 6.1.3.2 Implicit Header Mode

In certain scenarios, where the payload, coding rate and CRC presence are fixed or known in advance, it may be advantageous to reduce transmission time by invoking implicit header mode. In this mode the header is removed from the packet. In this case the payload length, error coding rate and presence of the payload CRC must be manually configured identically on both sides of the radio link.



## 6.1.4 LoRa® Time-on-Air

The packet format for the LoRa® modem is detailed in Figure 6-3: Fixed-Length Packet Format and Figure 6-4: Variable-Length Packet Format. The equation to obtain Time On Air (ToA) is:

$$ToA = \frac{2^{SF}}{BW} * N_{symbol} \text{ with:}$$

- *SF*: Spreading Factor (5 to 12)
- *BW*: Bandwidth (in kHz)
- *ToA*: the Time on Air in ms
- *N<sub>symbol</sub>*: number of symbols

The computation of the number of symbols differs depending on the parameters of the modulation.

For SF5 and SF6:

$$N_{symbol} = N_{symbol\_preamble} + 6.25 + 8 + \text{ceil} \left( \frac{\max(8 * N_{byte\_payload} + N_{bit\_CRC} - 4 * SF + N_{symbol\_header}, 0)}{4 * SF} \right) * (CR + 4)$$

For all other SF:

$$N_{symbol} = N_{symbol\_preamble} + 4.25 + 8 + \text{ceil} \left( \frac{\max(8 * N_{byte\_payload} + N_{bit\_CRC} - 4 * SF + 8 + N_{symbol\_header}, 0)}{4 * SF} \right) * (CR + 4)$$

For all other SF with Low Data Rate Optimization activated:

$$N_{symbol} = N_{symbol\_preamble} + 4.25 + 8 + \text{ceil} \left( \frac{\max(8 * N_{byte\_payload} + N_{bit\_CRC} - 4 * SF + 8 + N_{symbol\_header}, 0)}{4 * (SF - 2)} \right) * (CR + 4)$$

With:

- *N<sub>bit\_CRC</sub>* = 16 if CRC activated, 0 if not
- *N<sub>symbol\_header</sub>* = 20 with explicit header, 0 with implicit header
- *CR* is 1, 2, 3 or 4 for respective coding rates 4/5, 4/6, 4/7 or 4/8

## 6.1.5 LoRa® Channel Activity Detection (CAD)

The use of a spread spectrum modulation technique presents challenges in determining whether the channel is already in use by a signal that may be below the noise floor of the receiver. The use of the RSSI in this situation would clearly be impracticable. To this end the channel activity detector is used to detect the presence of other LoRa® signals.

On the SX1261/2, the channel activity detection mode is designed to detect the presence of a LoRa® preamble or data symbols while the previous generations of products were only able to detect LoRa® preamble symbols.

Once in CAD mode, the SX1261/2 will perform a scan of the band for a user-selectable duration (defined in number of symbols) and will then return with the Channel Activity Detected IRQ if LoRa® symbols have been detected during the CAD.

The time taken for the channel activity detection is dependent upon the LoRa® modulation settings used. For a given configuration (SF/BW) the typical CAD detection time can be selected to be either 1, 2, 4, 8 or 16 symbols. Once the duration of the selected number of symbols has been done, the radio will remain for around half a symbol in Rx to post-process the measurement.

## 6.2 FSK Modem

### 6.2.1 Modulation Parameter

The FSK modem is able to perform transmission and reception of 2-FSK modulated packets over a range of data rates ranging from 0.6 kbps to 300 kbps. All parameters are set by using the command *SetModulationParams(...)*. This function should be called only after defining the protocol.

The bitrate setting is referenced to the crystal oscillator and provides a precise means of setting the bit rate (or equivalently chip) rate of the radio. In the command *SetModulationParams(...)*, the bitrate is expressed as 32 times the XTAL frequency divided the real bit rate used by the device. The generic formula is:

$$BR = \frac{F_{XOSC}}{BitRate} * 32$$

FSK modulation is performed inside the PLL bandwidth, by changing the fractional divider ratio in the feedback loop of the PLL. The high resolution of the sigma-delta modulator, allows for very narrow frequency deviation. The frequency deviation *Fdev* is one of the parameters of the function *SetModulationParams(...)* and is expressed as:

$$Fdev = \frac{FdevHz}{FreqStep}$$

where:

$$FreqStep = \frac{XtalFreq}{2^{25}}$$

Additionally, in transmission mode, several shaping filters can be applied to the signal in packet mode or in continuous mode. In reception mode, the user needs to select the best reception bandwidth depending on its conditions. To ensure correct demodulation, the following limit must be respected for the selection of the bandwidth:

$$(2 * Fdev + BR) < BW$$

The bandwidth is defined by parameter *BW* as described in the following table.

**Table 6-4: Bandwidth Definition in FSK Packet Type**

BW	Value	Bandwidth [kHz DSB]
BW4	0x1F	4.8
BW5	0x17	5.8
BW7	0x0F	7.3
BW9	0x1E	9.7
BW11	0x16	11.7
BW14	0x0E	14.6
BW19	0x1D	19.5
BW23	0x15	23.4
BW29	0x0D	29.3

**Table 6-4: Bandwidth Definition in FSK Packet Type**

BW	Value	Bandwidth [kHz DSB]
BW39	0x1C	39.0
BW46	0x14	46.9
BW58	0x0C	58.6
BW78	0x1B	78.2
BW93	0x13	93.8
BW117	0x0B	117.3
BW156	0x1A	156.2
BW187	0x12	187.2
BW234	0x0A	234.3
BW312	0x19	312.0
BW373	0x11	373.6
BW467	0x09	467.0

The bandwidth must be chosen so that

$$\text{Bandwidth}[DSB] \geq BR + 2 * \text{frequency deviation} + \text{frequency error}$$

where the frequency error is two times the crystal frequency error used.

The SX1261/2 offers several pulse shaping options defined by the parameter *PulseShape*. If other unspecified values are given as parameters, then no filtering is used.

## 6.2.2 FSK Packet Engine

The SX1261/2 is designed for packet-based transmission. The packet controller block is responsible for assembly of received data bit-stream into packets and their storage into the data buffer. It also performs the bit-stream decoding operations such as de-whitening & CRC-checks on the received bit-stream.

On the transmit side, the packet handler can construct a packet and send it bit by bit to the modulator for transmission. It can whiten the payload and append the CRC-checksum to the end of the packet. The packet controller only works in half-duplex mode i.e. either in transmit or receive at a time.

The packet controller is configured using the command *SetPacketParams(...)* as in [Section 13.4.6 "SetPacketParams" on page 87](#). This function can be called only after defining the protocol. The next chapters describe in detail the different frames available in the SX1261/2.

### 6.2.2.1 Preamble Detection in Receiver Mode

The SX1261/2 is able to gate the reception of a packet if an insufficient number of alternating preamble symbols (usually referred to 0x55 or 0xAA in hexadecimal form) has been detected. This can be selected by the user by using the parameter *PreambleDetectorLength* used in the command *SetPacketParams(...)*. The user can select a value ranging from "Preamble detector length off" - where the radio will not perform any gating and will try to lock directly on the following Sync Word -

to “Preamble detector length 32 bits” where the radio will be expecting to receive 32 bits of preamble before the following Sync Word. In this case, if the 32 bits of preamble are not detected, the radio will either drop the reception in RxSingle mode, or restart its tracking loop in RxContinuous mode.

To achieve best performance of the device, it is recommended to set *PreambleDetectorLength* to “Preamble detector length 8 bits” or “Preamble detector length 16 bits” depending of the complete size of preamble which is sent by the transmitter.

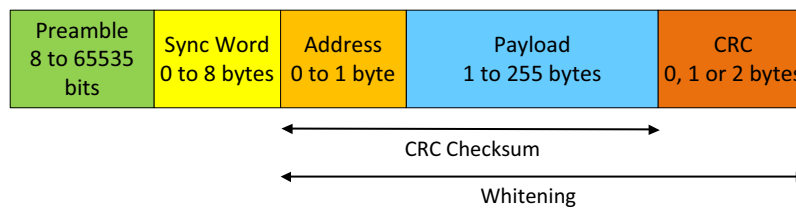
**Note:** In all cases, *PreambleDetectorLength* must be smaller than the size of the following Sync Word to achieve proper detection of the packets. If the preamble length is greater than the following Sync Word length (typically when no Sync Word is used) the user should fill some of the Sync Word bytes with 0x55.

## 6.2.3 FSK Packet Format

The FSK packet format provides a conventional packet format for application in proprietary NRZ coded, low energy communication links. The packet format has built in facilities for CRC checking of the payload, dynamic payload size and packet acknowledgement. Optionally whitening based upon pseudo random number generation can be enabled. Two principle packet formats are available in the FSK protocol: fixed length and variable length packets.

### 6.2.3.1 Fixed-Length Packet

If the packet length is fixed and known on both sides of the link then knowledge of the packet length does not need to be transmitted over the air. Instead the packet length can be written to the parameter *packetLength* which determines the packet length in bytes (0 to 255).

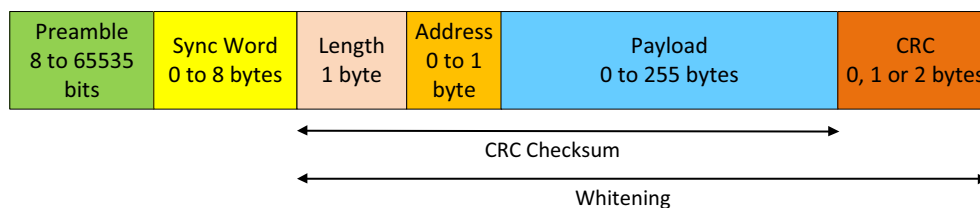


**Figure 6-3: Fixed-Length Packet Format**

The preamble length is set from 8 to 65535 bits using the parameter *PreambleLen*. **It is usually recommended to use a minimum of 16 bits for the preamble to guarantee a valid reception of the packet on the receiver side.** The CRC operation, packet length and preamble length are defined using the command *SetPacketParams(...)* as defined in Section 11. "List of Commands" on page 61.

### 6.2.3.2 Variable-Length Packet

Where the packet is of uncertain or variable size, then information about the packet length must be transmitted within the packet. The format of the variable-length packet is shown below.



**Figure 6-4: Variable-Length Packet Format**

### 6.2.3.3 Setting the Packet Length or Node Address

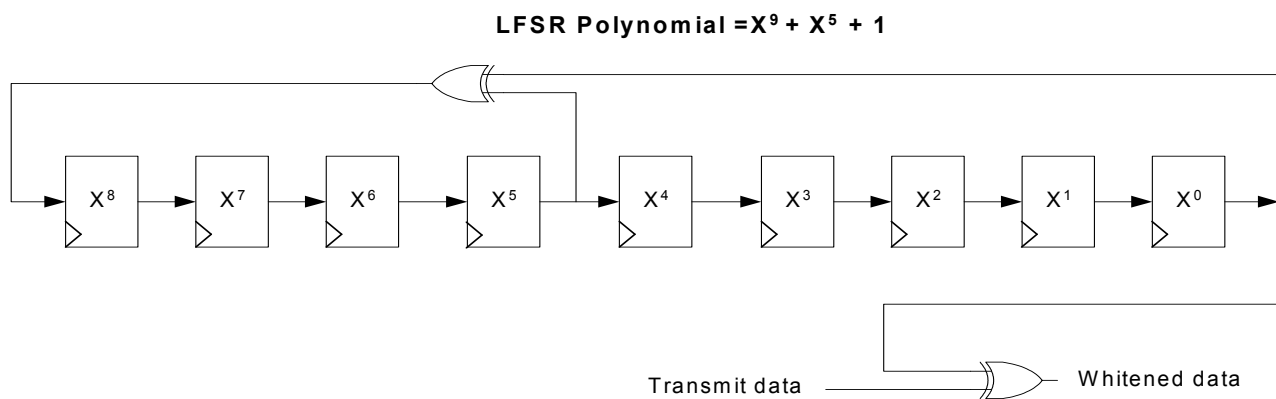
The packet length and Node or Broadcast address are not considered part of the payload and they are added automatically in hardware.

The packet length is added automatically in the packet when the packetType field is set to variable size in the command *SetPacketParam(...)*.

The node or broadcast address can be enabled by using the AddrComp field in the command *SetPacketParam(...)*. This field allow the user to enable and select an additional packet filtering at the payload level.

### 6.2.3.4 Whitening

The whitening process is built around a 9-bit LFSR which is used to generate a random sequence and the payload (including the payload length, the Node or Broadcast address and CRC checksum when needed) is then XORed with this random sequence to generate the whitened payload. The data is de-whitened on the receiver side by XORing with the same random sequence. This setup limits the number of consecutive 1's or 0's to 9. Note that the data whitening is only required when the user data has high correlation with long strings of 0's and 1's. If the data is already random then the whitening is not required. For example a random source generating the Transmit data, when whitened, could produce longer strings of 1's and 0's, thus it's not required to randomize an already random sequence.



**Figure 6-5: Data Whitening LFSR**

The whitening is based around the 9-bit LFSR polynomial  $x^9+x^5+1$ . With this structure, the LSB at the output of the LFSR is XORed with the MSB of the data.

At the initial stage, each flip-flop of the LFSR can be initialized through the registers at addresses 0x06B8 and 0x6B9.

**Table 6-5: Whitening Initial Value**

Whitening Initial Value	Register Address	Default Value
Whitening initial value MSB	0x06B8	0x01
Whitening initial value LSB	0x06B9	0x00

### 6.2.3.5 CRC

The SX1261/2 offers full flexibility to select the polynomial and initial value of the selected polynomial. In additions, the user can also select a complete inversion of the computed CRC to comply with some international standards.

The CRC can be enabled and configured by using the *CRCType* field in the command *SetPacketParam(...)*. This field allows the user to enable and select the length and configuration of the CRC.

**Table 6-6: CRC Type Configuration**

CRCType	Description
0x01	CRC_OFF (No CRC)
0x00	CRC_1_BYTE (CRC computed on 1 byte)
0x02	CRC_2_BYTE (CRC computed on 2 bytes)
0x04	CRC_1_BYTE_INV (CRC computed on 1 byte and inverted)
0x06	CRC_2_BYTE_INV (CRC computed on 2 bytes and inverted)

The CRC selected must be modified together with the CRC initial value and CRC polynomial.

**Table 6-7: CRC Initial Value**

	Register Address	Default Value
CRC MSB Initial Value [15:8]	0x06BC	0x1D
CRC LSB Initial Value [7:0]	0x06BD	0x0F

**Table 6-8: CRC Polynomial**

	Register Address	Default Value
CRC MSB Polynomial Value [15:8]	0x06BE	0x10
CRC LSB Polynomial Value [7:0]	0x06BF	0x21

This flexibility permits the user to select any standard CRC or to use his own CRC allowing a specific detection of a given packet. Examples:

**To use the IBM CRC configuration, the user must select:**

- 0x8005 for the CRC polynomial
- 0xFFFF for the initial value
- CRC\_2\_BYTE for the field *CRCType* in the command *SetPacketParam(...)*.

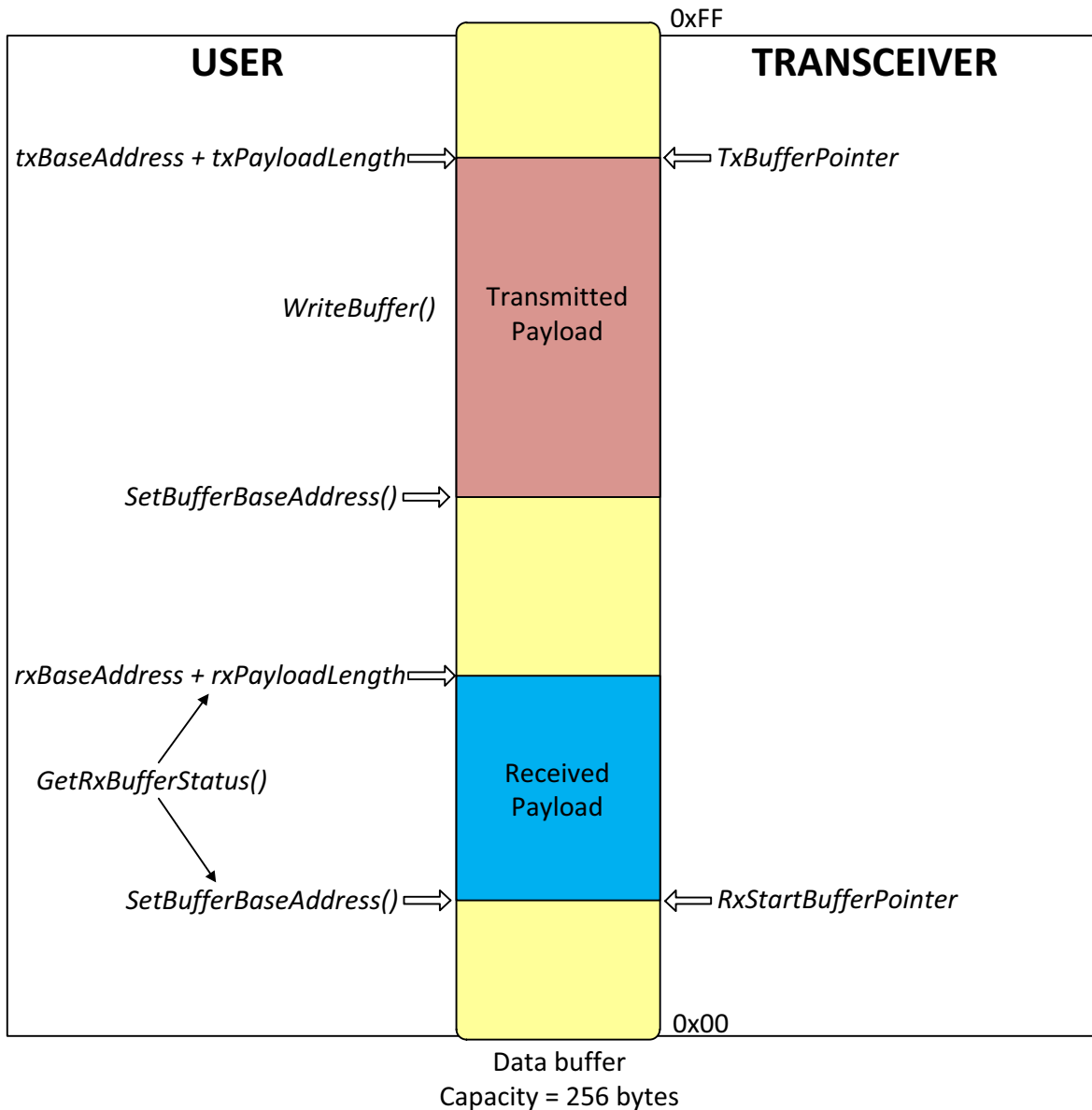
**For the CCIT CRC configuration the user must select:**

- 0x1021 for the CRC polynomial
- 0x1D0F for the initial value
- CRC\_2\_BYTE\_INV for the field *CRCType* in the command *SetPacketParam(...)*

# 7. Data Buffer

The transceiver is equipped with a 256-byte RAM data buffer which is accessible in all modes except sleep mode. This RAM area is fully customizable by the user and allows access to either data for transmission or from the last packet reception.

## 7.1 Principle of Operation



**Figure 7-1: Data Buffer Diagram**

The data buffer can be configured to store both transmit and receive payloads.

---

## 7.2 Data Buffer in Receive Mode

In receive mode *RxBaseAddr* specifies the buffer offset in memory at which the received packet payload data will be written. The buffer offset of the last byte written in receive mode is then stored in *RxDataPointer* which is initialized to the value of *RxBaseAddr* at the beginning of the reception.

The pointer to the first byte of the last packet received and the packet length can be read with the command *GetRxbufferStatus()*.

In single mode, *RxDataPointer* is automatically initialized to *RxBaseAddr* each time the transceiver enters Rx mode. In continuous mode the pointer is incremented starting from the previous position.

## 7.3 Data Buffer in Transmit Mode

Upon each transition to transmit mode *TxDataPointer* is initialized to *TxBaseAddr* and is incremented each time a byte is sent over the air. This operation stops once the number of bytes sent equals the *payloadlength* parameter as defined in the function *SetPacketParams(...)*.

## 7.4 Using the Data Buffer

Both, *RxBaseAddr* and *TxBaseAddr* are set using the command *SetBufferBaseAddresses(...)*.

By default *RxBaseAddr* and *TxBaseAddr* are initialized at address 0x00.

Due to the contiguous nature of the data buffer, the base addresses for Tx and Rx are fully configurable across the 256-byte memory area. Each pointer can be set independently anywhere within the buffer. To exploit the maximum data buffer size in transmit or receive mode, the whole data buffer can be used in each mode by setting the base addresses *TxBaseAddr* and *RxBaseAddr* at the bottom of the memory (0x00).

The data buffer is cleared when the device is put into Sleep mode (implying no access). The data is retained in all other modes of operation.

The data buffer is accessed via the command *WriteBuffer(...)* and *ReadBuffer(...)*. In this function the parameter offset defines the address pointer of the first data to be written or read. Offset zero defines the first position of the data buffer.

Before any read or write operation it is hence necessary to initialize this offset to the corresponding beginning of the buffer. Upon reading or writing to the data buffer the address pointer will then increment automatically.

Two possibilities exist to obtain the offset value:

- First is to use the *RxBaseAddr* value since the user defines it before receiving a payload.
- Second, offset can be initialized with the value of *RxStartBufferPointer* returned by *GetRxbufferStatus(...)* command.

### Note:

All the received data will be written to the data buffer even if the CRC is invalid, permitting user-defined post processing of corrupted data. When receiving, if the packet size exceeds the buffer memory allocated for the Rx, it will overwrite the transmit portion of the data buffer.



# 8. Digital Interface and Control

The SX1261/2 is controlled via a serial SPI interface and a set of general purpose input/output (DIOs). At least one DIO must be used for IRQ and the BUSY line is mandatory to ensure the host controller is ready to accept the commands. The SX1261/2 uses an internal controller (CPU) to handle communication and chip control (mode switching, API etc...). BUSY is used as a busy signal indicating that the chip is ready for new command only if this signal is low. When BUSY is high, the host controller must wait until it goes down again before sending another command. Through SPI the application sends commands to the internal chip or access directly the data memory space.

## 8.1 Reset

A complete “factory reset” of the chip can be issued on request by toggling pin 15 NRESET of the SX1261/2. It will be automatically followed by the standard calibration procedure and any previous context will be lost. The pin should be held low for more than 50 μs (typically 100 μs) for the Reset to happen.

## 8.2 SPI Interface

The SPI interface gives access to the configuration register via a synchronous full-duplex protocol corresponding to CPOL = 0 and CPHA = 0 in Motorola/Freescale nomenclature. Only the slave side is implemented.

An address byte followed by a data byte is sent for a write access whereas an address byte is sent and a read byte is received for the read access. The NSS pin goes low at the beginning of the frame and goes high after the data byte.

MOSI is generated by the master on the falling edge of SCK and is sampled by the slave (i.e. this SPI interface) on the rising edge of SCK. MISO is generated by the slave on the falling edge of SCK.

A transfer is always started by the NSS pin going low. MISO is high impedance when NSS is high.

The SPI runs on the external SCK clock to allow high speed up to 16 MHz.

### 8.2.1 SPI Timing When the Transceiver is in Active Mode

In this mode the chip is able to handle SPI command in a standard way i.e. no extra delay needed at the first SPI transaction.

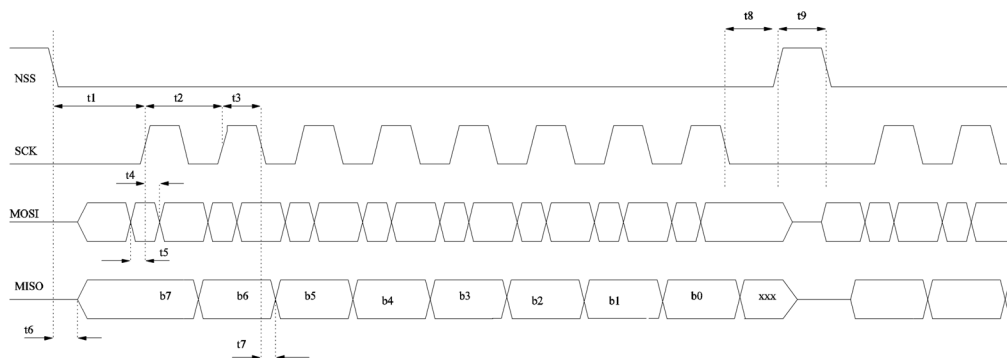


Figure 8-1: SPI Timing Diagram

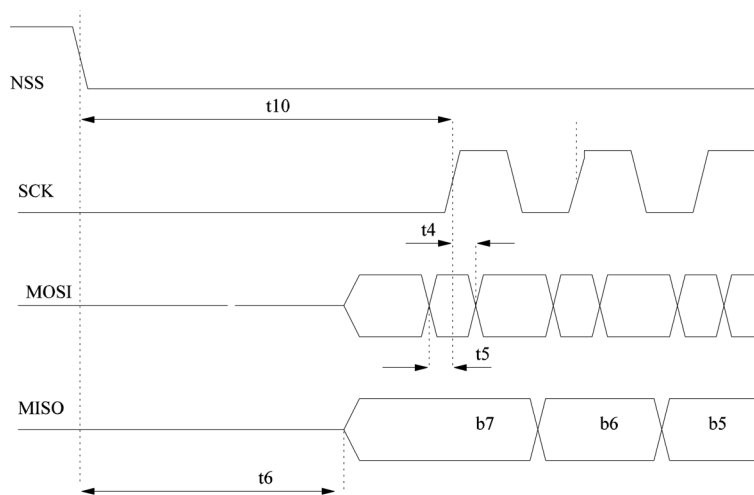
All timings in following table are given for a max load cap of 10 pF.

**Table 8-1: SPI Timing Requirements**

Symbol	Description	Minimum	Typical	Maximum	Unit
t1	NSS falling edge to SCK setup time	32	-	-	ns
t2	SCK period	62.5	-	-	ns
t3	SCK high time	31.25	-	-	ns
t4	MOSI to SCK hold time	5	-	-	ns
t5	MOSI to SCK setup time	5	-	-	ns
t6	NSS falling to MISO delay	0	-	15	ns
t7	SCK falling to MISO delay,	0	-	15	ns
t8	SCK to NSS rising edge hold time	31.25	-	-	ns
t9	NSS high time	125	-	-	ns
t10	NSS falling edge to SCK setup time when switching from SLEEP to STDBY_RC mode	100	-	-	μs
t11	NSS falling to MISO delay when switching from SLEEP to STDBY_RC mode	0	-	150	μs

## 8.2.2 SPI Timing When the Transceiver Leaves Sleep Mode

One way for the chip to leave Sleep mode is to wait for a falling edge of NSS. At falling edge, all necessary internal regulators are switched On; the chip starts chip initialization before being able to accept first SPI command. This means that the delay between the falling edge of NSS and the first rising edge of SCK must take into account the wake-up sequence and the chip initialization. In Sleep mode and during the initialization phase, the busy signal mapped on BUSY pin, is set high indicating to the host that the chip is not able to accept a new command. Once the chip is in STDBY\_RC mode, the busy signal goes low and the host can start sending a command. This is also true for startup at battery insertion or after a hard reset.



**Figure 8-2: SPI Timing Transition**

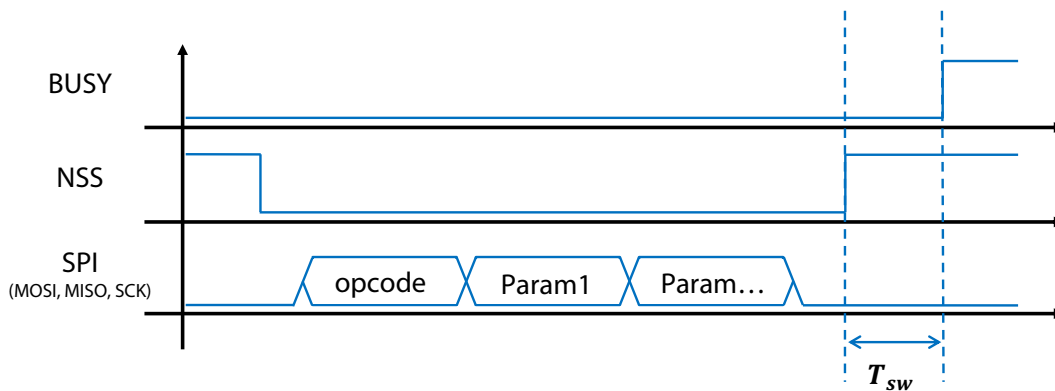
## 8.3 Multi-Purpose Digital Input/Output (DIO)

The chip is interfaced through the 4 control lines which are composed of the BUSY pin and 3 DIOs pins that can be configured as interrupt, debug or to control the radio immediate peripherals (TCXO or RF Switch).

### 8.3.1 BUSY Control Line

The BUSY control line is used to indicate the status of the internal state machine. When the BUSY line is held low, it indicates that the internal state machine is in idle mode and that the radio is ready to accept a command from the host controller.

The BUSY control line is set back to zero once the chip has reached a stable mode and it is ready for a new command. Inherently, the amount of time the BUSY line will stay high depends on the nature of the command. For example, setting the device into TX mode from the STDBY\_RC mode will take much more time than simply changing some radio parameters because the internal state machine will maintain the BUSY line high until the radio is effectively transmitting the packet.



**Figure 8-3: Switching Time Definition**

From the internal state machine point of view, all “write” command will make the BUSY line to go high after a small lap of time represented as  $T_{SW}$  on the graph above.  $T_{SW}$  represents the time needed by the internal state machine to wake-up and start processing the command.

Conversely, the “read” command will be handled directly without the help of the internal state machine and thus the BUSY line will remain low after a “read” command.

The max value for  $T_{SW}$  from NSS rising edge to the BUSY rising edge is, in all cases, 600 ns.

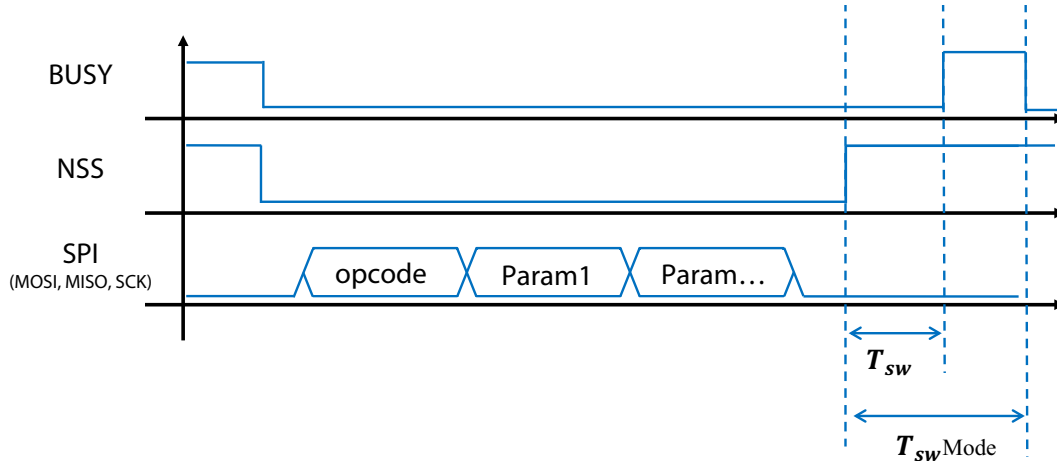
In Sleep mode, the BUSY pin is held high through a 20 k $\Omega$  resistor and the BUSY line will go low as soon as the radio leaves the Sleep mode.

In FS, BUSY will go low when the PLL is locked.

In RX, BUSY will go to low as soon as the RX is up and ready to receive data.

In TX, BUSY will go low when the PA has ramped-up and transmission of preamble starts.

In addition to this, the BUSY will also go high to handle its internal IRQ. In this scenario, it is essential to wait for the BUSY line to go low before sending an SPI command (either a “read” or “write” command).



**Figure 8-4: Switching Time Definition in Active Mode**

The following table gives the value of  $T_{SWMode}$  for all possible transitions. The switching time is defined as the time between the rising edge of the NSS ending the SPI transaction and the falling edge of BUSY.

**Table 8-2: Switching Time**

Transition	$T_{SWMode}$ Typical Value [ $\mu$ s]
SLEEP to STBY_RC cold start (no data retention)	3500
SLEEP to STBY_RC warm start (with data retention)	340
STBY_RC to STBY_XOSC	31
STBY_RC to FS	50
STBY_RC to RX	83
STBY_RC to TX	126
STBY_XOSC to FS	40
STBY_XOSC to TX	105
STBY_XOSC to RX	62
FS to RX	41
FS to TX	76
RX to FS	15
RX to TX	92

## 8.3.2 Digital Input/Output

Any of the 3 DIOs can be selected as an output interrupt source for the application. When the application receives an interrupt, it can determine the source by using the command *GetIrqStatus(...)*. The interrupt can then be cleared using the *ClearIrqStatus(...)* command. The Pin Description is as follows:

**DIO1** is the generic IRQ line, any interrupt can be mapped to DIO1. The complete list of available IRQ can be found in [Section 8.4 "Digital Interface Status versus Chip modes" on page 53](#).

**DIO2** has a double functionality. As DIO1, DIO2 can be used as a generic IRQ line and any IRQ can be routed through this pin. Also, DIO2 can be configured to drive an RF switch through the use of the command *SetDio2AsRfSwitchCtrl(...)*. In this mode, DIO2 will be at a logical 1 during Tx and at a logical 0 in any other mode.

**DIO3** also has a double functionality and as DIO1 or DIO2, it can be used as a generic IRQ line. Also, DIO3 can be used to automatically control a TCXO through the command *SetDio3AsTCXOCtrl(...)*. In this case, the device will automatically power cycle the TCXO when needed.

## 8.4 Digital Interface Status versus Chip modes

**Table 8-3: Digital Pads Configuration for each Chip Mode**

Mode	DIO3	DIO2	DIO1	BUSY	MISO	MOSI	SCK	NSS	NRESET
Reset	PD	PD	PD	PU	HIZ	HIZ	HIZ	IN	-
Start-up	HIZ PD	HIZ PD	HIZ PD	HIZ PU	HIZ	HIZ	HIZ	IN	IN PU
Sleep	HIZ PD	HIZ PD	HIZ PD	HIZ PU	HIZ	HIZ	HIZ	IN	IN PU
STBY_RC	OUT	OUT	OUT	OUT	OUT	IN	IN	IN	IN PU
STBY_XOSC	OUT	OUT	OUT	OUT	OUT	IN	IN	IN	IN PU
FS	OUT	OUT	OUT	OUT	OUT	IN	IN	IN	IN PU
RX	OUT	OUT	OUT	OUT	OUT	IN	IN	IN	IN PU
TX	OUT	OUT	OUT	OUT	OUT	IN	IN	IN	IN PU

**Note:**

- PU = pull up with 50 kΩ at typical conditions
- PD = pull down with 50 kΩ at typical conditions (the resistor value varies with the supply voltage)

---

## 8.5 IRQ Handling

In total there are 10 possible interrupt sources depending on the selected frame and chip mode. Each one can be enabled or masked. In addition, each one can be mapped to DIO1, DIO2 or DIO3.

**Table 8-4: IRQ Status Registers**

Bit	IRQ	Description	Protocol
0	TxDone	Packet transmission completed	All
1	RxDone	Packet received	All
2	PreambleDetected	Preamble detected	All
3	SyncWordValid	Valid Sync Word detected	FSK
4	HeaderValid	Valid LoRa Header received	LoRa®
5	HeaderErr	LoRa® header CRC error	LoRa®
6	CrcErr	Wrong CRC received	All
7	CadDone	Channel activity detection finished	LoRa®
8	CadDetected	Channel activity detected	LoRa®
9	Timeout	Rx or Tx Timeout	All

For more information on how to setup IRQ and DIOs, refer to the function *SetDioIrqParams()* in [Section 13.3.1 "SetDioIrqParams"](#) on page 78.

---

## 9. Operational Modes

The SX1261/2 features six operating modes. The analog front-end and digital blocks that are enabled in each operating mode are explained in the following table.

**Table 9-1: SX1261/2 Operating Modes**

Mode	Enabled Blocks
SLEEP	Optional registers, backup regulator, RC64k oscillator, data RAM
STDBY_RC	Top regulator (LDO), RC13M oscillator
STDBY_XOSC	Top regulator (DC-DC or LDO), XOSC
FS	All of the above + Frequency synthesizer at Tx frequency
Tx	Frequency synthesizer and transmitter, Modem
Rx	Frequency synthesizer and receiver, Modem

### 9.1 Startup

At power-up or after a reset, the chip goes into STARTUP state, the control of the chip being done by the sleep state machine operating at the battery voltage. The BUSY pin is set to high indicating that the chip is busy and cannot accept a command. When the digital voltage and RC clock become available, the chip can boot up and the CPU takes control. At this stage the BUSY line goes down and the device is ready to accept commands.

### 9.2 Calibrate

Calibration procedure is automatically called in case of POR or via the calibration command. Parameters can be added to the calibrate command to identify which section of calibration should be repeated. The following blocks can be calibrated:

- RC64k using the 32 MHz crystal oscillator as reference
- RC13M using the 32 MHz crystal oscillator as reference
- PLL to select the proper VCO frequency and division ratio for any RF frequency
- RX ADC
- Image (RX mode with defined tone)

Once the calibration is finished, the chip enters STDBY\_RC mode.

#### 9.2.1 Image Calibration for Specific Frequency Bands

The image calibration is done through the command *CalibrateImage(...)* for a given range of frequencies defined by the parameters *freq1* and *freq2*. Once performed, the calibration is valid for all frequencies between the two extremes used as parameters. Typically, the user can select the parameters *freq1* and *freq2* to cover any specific ISM band.

**Table 9-2: Image Calibration Over the ISM Bands**

Frequency Band [MHz]	Freq1	Freq2
430 - 440	0x6B	0x6F
470 - 510	0x75	0x81
779 - 787	0xC1	0xC5
863 - 870	0xD7	0xDB
902 - 928	0xE1 (default)	0xE9 (default)

In case of POR or when the device is recovering from Sleep mode in cold start mode, the image calibration is performed as part of the initial calibration process and for optimal image rejection in the band 902 - 928 MHz. However at this stage the internal state machine has no information whether an XTAL or a TCXO is fitted. When the 32 MHz clock is coming from a TCXO, the calibration will fail and the user should request a complete calibration after calling the function *SetDIO3AsTcxoCtrl(...)*.

By default, the image calibration is made in the band 902 - 928 MHz. Nevertheless, it is possible to request the device to perform a new image calibration at other frequencies.

**Note:**

Contact your Semtech representative for the other optimal calibration settings outside of the given frequency bands.

## 9.3 Sleep Mode

In this mode, most of the radio internal blocks are powered down or in low power mode and optionally the RC64k clock and the timer are running. The chip may enter this mode from STDBY\_RC and can leave the SLEEP mode if one of the following events occurs:

- NSS pin goes low in any case
- RTC timer generates an End-Of-Count (corresponding to Listen mode)

When the radio is in Sleep mode, the BUSY pin is held high.

## 9.4 Standby (STDBY) Mode

In standby mode the host should configure the chip before going to RX or TX modes. By default in this state, the system is clocked by the 13 MHz RC oscillator to reduce power consumption (in all other modes except SLEEP the XTAL is turned ON). However if the application is time critical, the XOSC block can be turned or left ON.

XOSC or RC13M selection in standby mode is determined by mode parameter in the command *SetStandby(...)*.

The mode where only RC13M is used is called STDBY\_RC and the one with XOSC ON is called STDBY\_XOSC.

If DC-DC is to be used, the selection should be made while the circuit is in STDBY\_RC mode by using the *SetRegulatorMode(...)* command, then the DC-DC will automatically switch ON when entering STDBY\_XOSC mode. The DC-DC will be clocked by the RC13M. The LDO will remain active with a target voltage 50 mV lower than the DC-DC one.



---

## 9.5 Frequency Synthesis (FS) Mode

In FS mode, PLL and related regulators are switched ON. The BUSY goes low as soon as the PLL is locked or timed out.

For debugging purposes the chip may be requested to remain in this mode by using the *SetFs()* command.

Since the SX1261/2 uses low IF architecture, the RX and TX frequencies are different. The RX frequency is equal to TX one minus the intermediate frequency (IF). In FS or TX modes, the RF frequency is directly programmed by the user.

## 9.6 Receive (RX) Mode

In RX mode, the RF front-end, RX ADC and the selected modem (LoRa® or FSK) are turned ON. In RX mode the circuit can operate in different sub-modes:

- **Continuous mode:** the device remains in RX mode and waits for incoming packet reception until the host requests a different mode,
- **Single mode:** the device returns automatically to STDBY\_RC mode after packet reception,
- **Single mode with timeout:** the device returns automatically to STDBY\_RC mode after packet reception or after the selected timeout,
- **Listen mode:** the device alternate between Sleep and Rx mode until an IRQ is triggered.

In RX mode, BUSY will go low as soon as the RX is up and ready to receive data.

The SX1261 and SX1262 can operate in a Rx Boosted gain setup or in a Rx power saving gain setup. In the Rx power saving gain, the radio will consume less power at a small cost in sensitivity. In Rx Boosted gain, the radio will consume more power to improve the sensitivity.

**Table 9-3: Rx Gain Configuration**

Rx Gain	Register Address	Value
Rx Gain	0x08AC	Rx Power Saving gain: 0x94 (default) Rx Boosted gain: 0x96

**Note:**

In LoRa® mode, the user can also use the command *SetLoRaSymbNumTimeout(...)* to perform a quick and immediate assessment of the presence (or not) of LoRa preamble symbols. If the user defined parameter SymbNum is different from 0, the modem will wait for a total of SymbNum LoRa® symbol to validate, or not, the correct detection of a LoRa® packet. If the various states of the demodulator are not lock at this moment, the radio will generate the RxTimeout IRQ. Otherwise, the radio will stay in Rx for the full duration of the packet. For more information, please see [Section 13.4.9 "SetLoRaSymbNumTimeout"](#) on page 93.

---

## 9.7 Transmit (TX) Mode

In TX mode after ramping-up the Power-Amplifier (PA) transmits the data buffer. In TX mode the circuit can operate in different sub-modes: single mode or single with timeout mode.

The timeout in Tx mode can be used as a security to ensure that if for any reason the Tx is aborted or does not succeed (ie. the TxDone IRQ never is never triggered), the TxTimeout will prevent the system from waiting for an unknown amount of time. Using the timeout while in Tx mode remove the need to use resources from the host MCU to perform the same task.

In TX mode, BUSY will go low as soon as the PA has ramped-up and transmission of preamble starts.

### 9.7.1 PA Ramping

The ramping of the PA can be selected while setting the output power by using the command *SetTxParams(...)*.

The PA ramp time can be selected to go from 10  $\mu$ s up to 3.4 ms.

## 9.8 Active Mode Switching Time

For more details on active mode switching time, see [Section 8.3.1 "BUSY Control Line" on page 51](#).

# 9.9 Transceiver Circuit Modes Graphical Illustration

All of the device operating modes and the states through which each mode selection transitions is shown here:

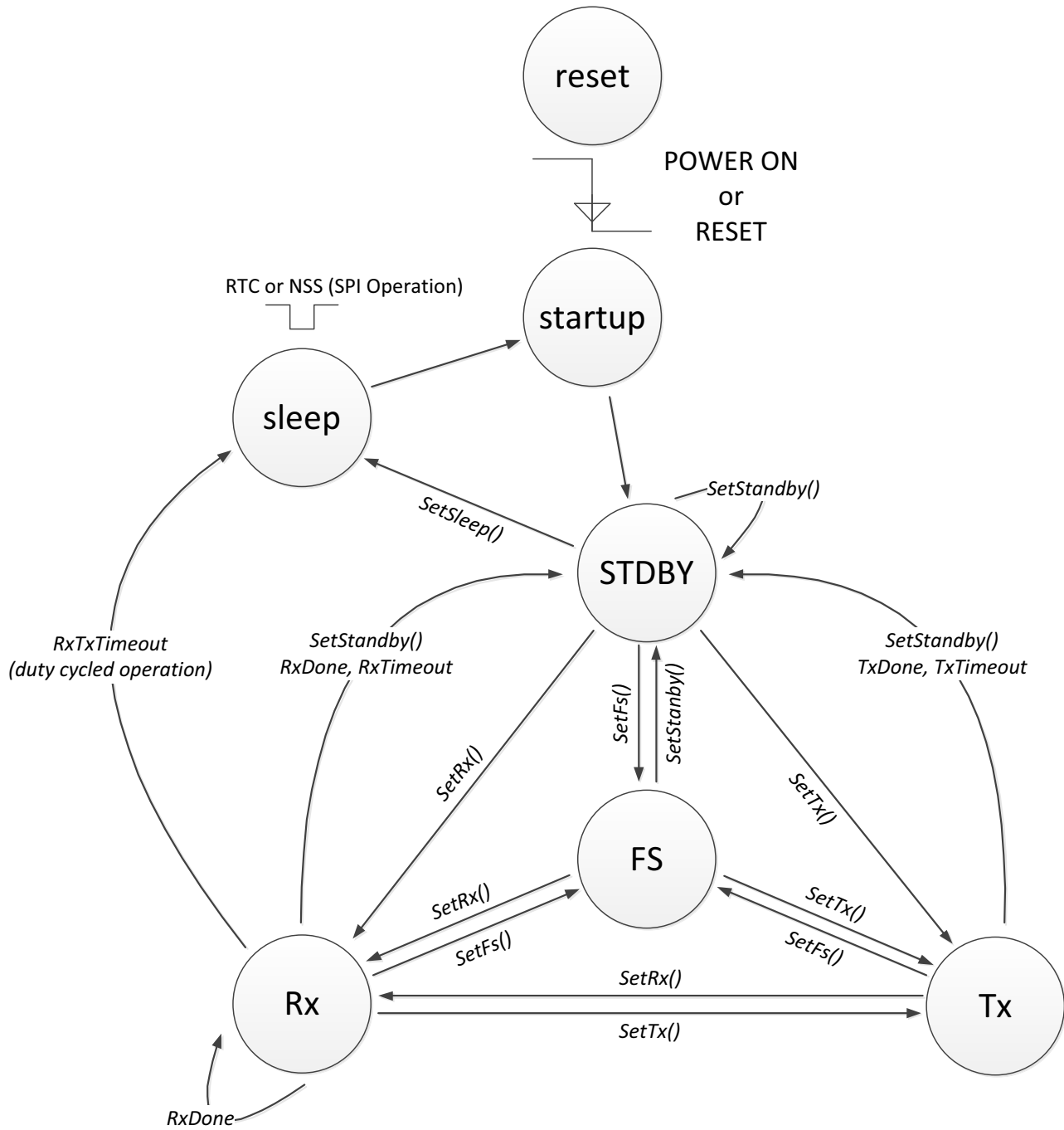


Figure 9-1: Transceiver Circuit Modes

---

# 10. Host Controller Interface

Through the SPI interface, the host can issue commands to the chip or access the data memory space to directly retrieve or write data. In normal operation, a reduced number of direct data write operations is required except for data buffer.

The user interacts with the circuit through an API (instruction set).

The SX1261 uses the pin BUSY to indicate the status of the chip and its ability (or not) to receive another command while it is doing its internal processing. Prior to executing one of the generic functions, it is thus necessary to check the status of BUSY to make sure the chip is in a state where it can process another function.

## 10.1 Command Structure

In case of a command that does not require any parameter, the host sends only the opcode (1 byte).

In case of a command which requires one or several parameters, the opcode byte is followed immediately by parameter bytes with the NSS rising edge terminating the command.

**Table 10-1: SPI Interface Command Sequence**

Byte	0	[1:n]
Data from host	Opcode	Parameters
Data to host	RFU	Status

## 10.2 Transaction Termination

The host terminates an SPI transaction with the rising NSS signal; the host does not explicitly send the command length as a parameter. The host must not raise NSS within the bytes of a transaction.

If a transaction sends a command requiring parameters, all the parameters must be sent before rising NSS. If not the chip will take some unknown value for the missing parameters.

# 11. List of Commands

The following tables give the list of commands and their corresponding opcode. Unless specified, all parameters are 8-bit values.

## 11.1 Operational Modes Commands

These functions have a direct impact on the behaviour of the device. They control the internal state machine to transmit or receive packets, and all the modes in-between.

**Table 11-1: Commands Selecting the Operating Modes of the Radio**

Command	Opcode	Parameters	Description
SetSleep	0x84	sleepConfig	Set Chip in SLEEP mode
SetStandby	0x80	standbyConfig	Set Chip in STDBY_RC or STDBY_XOSC mode
SetFs	0xC1	-	Set Chip in Frequency Synthesis mode
SetTx	0x83	timeout[23:0]	Set Chip in Tx mode
SetRx	0x82	timeout[23:0]	Set Chip in Rx mode
StopTimerOnPreamble	0x9F	StopOnPreambleParam	Stop Rx timeout on Sync Word/Header or preamble detection
SetRxDutyCycle	0x94	rxPeriod[23:0], sleepPeriod[23:0]	Store values of RTC setup for listen mode and if period parameter is not 0, set chip into RX mode
SetCad	0xC5	-	Set chip into RX mode with passed CAD parameters
SetTxContinuousWave	0xD1	-	Set chip into TX mode with infinite carrier wave settings
SetTxInfinitePreamble	0xD2	-	Set chip into TX mode with infinite preamble settings
SetRegulatorMode	0x96	regModeParam	Select LDO or DC_DC+LDO for CFG_XOSC, FS, RX or TX mode
Calibrate	0x89	calibParam	Calibrate the RC13, RC64, ADC, PLL, Image according to parameter
CalibrateImage	0x98	freq1, freq2	Launches an image calibration at the given frequencies
SetPaConfig	0x95	paDutyCycle, HpMax, deviceSel, paLUT	Configure the Duty Cycle, Max output power, device for the PA for SX1261 or SX1262
SetRxTxFallbackMode	0x93	fallbackMode	Defines into which mode the chip goes after a TX / RX done.

## 11.2 Register and Buffer Access Commands

**Table 11-2: Commands to Access the Radio Registers and FIFO Buffer**

Command	Opcode	Parameters	Description
WriteRegister	0x0D	address[15:0], data[0:n]	Write into one or several registers
ReadRegister	0x1D	address[15:0]	Read one or several registers
WriteBuffer	0x0E	offset, data[0:n]	Write data into the <b>FIFO</b>
ReadBuffer	0x1E	offset	Read data from the FIFO

## 11.3 DIO and IRQ Control

**Table 11-3: Commands Controlling the Radio IRQs and DIOs**

Command	Opcode	Parameters	Description
SetDioIrqParams	0x08	IrqMask[15:0], Dio1Mask[15:0], Dio2Mask[15:0], Dio3Mask[15:0],	Configure the IRQ and the DIOs attached to each IRQ
GetIrqStatus	0x12	-	Get the values of the triggered IRQs
ClearIrqStatus	0x02	-	Clear one or several of the IRQs
SetDIO2AsRfSwitchCtrl	0x9D	enable	Configure radio to control an RF switch from DIO2
SetDIO3AsTcxoCtrl	0x97	tcxoVoltage, timeout[23:0]	Configure the radio to use a <b>TCXO</b> controlled by DIO3

## 11.4 RF, Modulation and Packet Commands

**Table 11-4: Commands Controlling the RF and Packets Settings**

Command	Opcode	Parameters	Description
SetRfFrequency	0x86	rfFreq[23:0]	Set the RF frequency of the radio
SetPacketType	0x8A	protocol	Select the packet type corresponding to the modem
GetPacketType	0x11	-	Get the current packet configuration for the device
SetTxParams	0x8E	power, rampTime	Set output power and ramp time for the PA
SetModulationParams	0x8B	modParam1, modParam2, modParam3	Compute and set values in selected protocol modem for given modulation parameters

**Table 11-4: Commands Controlling the RF and Packets Settings**

Command	Opcode	Parameters	Description
SetPacketParams	0x8C	packetParam1, packetParam2, packetParam3, packetParam4, packetParam5, packetParam6, packetParam7, packetParam8, packetParam9	Set values on selected protocol modem for given packet parameters
SetCadParams	0x88	cadSymbolNum, cadDetPeak, cadDetMin, cadExitMode, cadTimeout	Set the parameters which are used for performing a CAD (LoRa® only)
SetBufferBaseAddress	0x8F	TxbaseAddr, RxbaseAddr	Store TX and RX base address in register of selected protocol modem
SetLoRaSymbNumTimeout	0xA0	SymbNum	Set the number of symbol the modem has to wait to validate a lock

## 11.5 Status Commands

**Table 11-5: Commands Returning the Radio Status**

Command	Opcode	Parameters	Description
GetStatus	0xC0	-	Returns the current status of the device
GetRssiInst	0x15	-	Returns the instantaneous measured RSSI while in Rx mode
GetRxBufferStatus	0x13	-	Returns PayloadLengthRx(7:0), RxBufferPointer(7:0)
GetPacketStatus	0x14	-	Returns RssiAvg, RssiSync, PStatus2, PStatus3, PStatus4 in FSK protocol, returns RssiPkt, SnrPkt in LoRa® protocol
GetDeviceErrors	0x17	-	Returns the error which has occurred in the device
ClearDeviceErrors	0x07	0x00	Clear all the error(s). The error(s) cannot be cleared independently
GetStats	0x10	-	Returns statistics on the last few received packets
ResetStats	0x00	-	Resets the value read by the command GetStats

# 12. Register Map

## 12.1 Register Table

**Table 12-1: List of Registers**

Register Name	Address	Reset Value	Function
Whitening initial value MSB	0x06B8	0xX1	Initial value used for the whitening LFSR in FSK mode. The user should not change the value of the 7 MSB of this register
Whitening initial value LSB	0x06B9	0x00	
CRC MSB Initial Value [0]	0x06BC	0x1D	Initial value used for the polynomial used to compute the CRC in FSK mode
CRC LSB Initial Value [1]	0x06BD	0x0F	
CRC MSB polynomial Value [0]	0x06BE	0x10	Polynomial used to compute the CRC in FSK mode
CRC LSB polynomial Value [1]	0x06BF	0x21	
SyncWord[0]	0x06C0	-	1st byte of the Sync Word in FSK mode
SyncWord[1]	0x06C1	-	2nd byte of the Sync Word in FSK mode
SyncWord[2]	0x06C2	-	3rd byte of the Sync Word in FSK mode
SyncWord[3]	0x06C3	-	4th byte of the Sync Word in FSK mode
SyncWord[4]	0x06C4	-	5th byte of the Sync Word in FSK mode
SyncWord[5]	0x06C5	-	6th byte of the Sync Word in FSK mode
SyncWord[6]	0x06C6	-	7th byte of the Sync Word in FSK mode
SyncWord[7]	0x06C7	-	8th byte of the Sync Word in FSK mode
Node Address	0x06CD	0x00	Node Address used in FSK mode
Broadcast Address	0x06CE	0x00	Broadcast Address used in FSK mode
LoRa Sync Word MSB	0x0740	0x14	Differentiate the LoRa® signal for Public or Private Network Set to 0x3444 for Public Network Set to 0x1424 for Private Network
LoRa Sync Word LSB	0x0741	0x24	
RandomNumberGen[0]	0x0819	-	Can be used to get a 32-bit random number
RandomNumberGen[1]	0x081A	-	
RandomNumberGen[2]	0x081B	-	
RandomNumberGen[3]	0x081C	-	
Rx Gain	0x08AC	0x94	Set the gain used in Rx mode: Rx Power Saving gain: 0x94 Rx Boosted gain: 0x96



**Table 12-1: List of Registers**

Register Name	Address	Reset Value	Function
OCP Configuration	0x08E7	0x18	Set the Over Current Protection level. The value is changed internally depending on the device selected. Default values are: SX1262: 0x38 (140 mA) SX1261: 0x18 (60 mA)
XTA trim	0x0911	0x05	Value of the trimming cap on XTA pin This register should only be changed while the radio is in STDBY_XOSC mode.
XTB trim	0x0912	0x05	Value of the trimming cap on XTB pin This register should only be changed while the radio is in STDBY_XOSC mode.

# 13. Commands Interface

## 13.1 Operational Modes Functions

### 13.1.1 SetSleep

The command *SetSleep(...)* is used to set the device in SLEEP mode with the lowest current consumption possible. This command can be sent only while in STDBY mode (STDBY\_RC or STDBY\_XOSC). After the rising edge of NSS, all blocks are switched OFF except the backup regulator if needed and the blocks specified in *the* parameter *sleepConfig*.

**Table 13-1: SetSleep SPI Transaction**

Byte	0	1
Data from host	Opcode = 0x84	sleepConfig

The *sleepConfig* argument is defined in [Table 13-2](#).

**Table 13-2: Sleep Mode Definition**

SleepConfig[7:3]	SleepConfig [2]	SleepConfig [1]	SleepConfig [0]
RESERVED	0: cold start	0: RFU	0: RTC timeout disable
RESERVED	1: warm start (device configuration in retention) <sup>1</sup>	0: RFU	1: wake-up on RTC timeout (RC64k)

1. Note that only configuration for the activated modem before going to sleep is retained. Configuration of the other modems is lost and must be re-configured.

When entering SLEEP mode, the BUSY line goes up and stays at a high level for the complete duration of the SLEEP period.

Once in SLEEP mode, it is possible to wake the device up from the host processor with a falling edge on the NSS line. The device can also wake up automatically based on a counter event driven by the RTC 64 kHz clock. If the RTC is used, a rising edge of NSS will still wake up the chip (the host keeps control of the chip).

By default, when entering into SLEEP mode, the chip configuration is lost. However, being able to store chip configuration to lower host interaction or during RxDutyCycle mode is a must that can be done using the register in retention mode during SLEEP state. This is available when the *SetSleep(...)* command is sent with *sleepConfig[2]* set to 1. Once the chip leaves SLEEP mode (by NSS or RTC event), the chip will first restore the registers with the value stored into the retention register.

#### Caution:

Once sending the command *SetSleep(...)*, the device will become unresponsive for around 500  $\mu$ s, time needed for the configuration saving process and proper switch off of the various blocks. The user must thus make sure the device will not be receiving SPI command during these 500  $\mu$ s to ensure proper operations of the device.

### 13.1.2 SetStandby

The command *SetStandby(...)* is used to set the device in a configuration mode which is at an intermediate level of consumption. In this mode, the chip is placed in halt mode waiting for instructions via SPI. This mode is dedicated to chip configuration using high level commands such as *SetPacketType(...)*.

By default, after battery insertion or reset operation (pin NRESET goes low), the chip will enter in STDBY\_RC mode running with a 13 MHz RC clock.

**Table 13-3: SetConfig SPI Transaction**

Byte	0	1
Data from host	Opcode = 0x80	StdbbyConfig

The *StdbbyConfig* byte definition is as follows:

**Table 13-4: STDBY Mode Configuration**

StdbbyConfig	Value	Description
STDBY_RC	0	Device running on RC13M, set STDBY_RC mode
STDBY_XOSC	1	Device running on XTAL 32MHz, set STDBY_XOSC mode

### 13.1.3 SetFs

The command *SetFs()* is used to set the device in the frequency synthesis mode where the PLL is locked to the carrier frequency. This mode is used for test purposes of the PLL and can be considered as an intermediate mode. It is automatically reached when going from STDBY\_RC mode to TX mode or RX mode.

**Table 13-5: SetFs SPI Transaction**

Byte	0
Data from host	Opcode = 0xC1

In FS mode, the PLL will be set to the frequency programmed by the function *SetRffFrequency(...)* which is the same used for TX or RX operations.

### 13.1.4 SetTx

The command *SetTx()* sets the device in transmit mode.

**Table 13-6: SetTx SPI Transaction**

Byte	0	1-3
Data from host	Opcode = 0x83	timeout(23:0)

- Starting from STDBY\_RC mode, the oscillator is switched ON followed by the PLL, then the PA is switched ON and the PA regulator starts ramping according to the ramping time defined by the command *SetTxParams(...)*
- When the ramping is completed the packet handler starts the packet transmission
- When the last bit of the packet has been sent, an IRQ TX\_DONE is generated, the PA regulator is ramped down, the PA is switched OFF and the chip goes back to STDBY\_RC mode
- A TIMEOUT IRQ is triggered if the TX\_DONE IRQ is not generated within the given timeout period
- The chip goes back to STBY\_RC mode after a TIMEOUT IRQ or a TX\_DONE IRQ.

The timeout duration can be computed with the formula:

$$\text{Timeout duration} = \text{Timeout} * 15.625 \mu\text{s}$$

*Timeout* is a 23-bit parameter defining the number of step used during timeout as defined in the following table.

**Table 13-7: SetTx Timeout Duration**

Timeout(23:0)	Timeout Duration
0x000000	Timeout disable, Tx Single mode, the device will stay in TX Mode until the packet is transmitted and returns in STBY_RC mode upon completion.
Others	Timeout active, the device remains in TX mode, it returns automatically to STBY_RC mode on timer end-of-count or when a packet has been transmitted. The maximum timeout is then 262 s.

The value given for the timeout should be calculated for a given packet size, given modulation and packet parameters. The timeout behaves as a security in case of conflicting commands from the host controller.

The timeout in Tx mode can be used as a security to ensure that if for any reason the Tx is aborted or does not succeed (ie. the TxDone IRQ never is never triggered), the TxTimeout will prevent the system from waiting for an unknown amount of time. Using the timeout while in Tx mode remove the need to use resources from the host MCU to perform the same task.

### 13.1.5 SetRx

The command *SetRx()* sets the device in receiver mode.

**Table 13-8: SetRx SPI Transaction**

Byte	0	1-3
Data from host	Opcode = 0x82	timeout(23:0)

This command sets the chip in RX mode, waiting for the reception of one or several packets. The receiver mode operates with a timeout to provide maximum flexibility to end users.

**Table 13-9: SetRx Timeout Duration**

Timeout15:0)	Timeout Duration
0x000000	No timeout. Rx Single mode. The device will stay in RX Mode until a reception occurs and the devices return in STBY_RC mode upon completion
0xFFFFF	Rx Continuous mode. The device remains in RX mode until the host sends a command to change the operation mode. The device can receive several packets. Each time a packet is received, a packet done indication is given to the host and the device will automatically search for a new packet.
Others	Timeout active. The device remains in RX mode, it returns automatically to STBY_RC mode on timer end-of-count or when a packet has been received. As soon as a packet is detected, the timer is automatically disabled to allow complete reception of the packet. The maximum timeout is then 262 s.

When the timeout is active ( $0x000000 < \text{timeout} < 0xFFFFF$ ), the radio will stop the reception at the end of the timeout period unless a preamble and Sync Word (in GFSK) or Header (in LoRa®) has been detected. This is to ensure that a valid packet will not be dropped in the middle of the reception due to the pre-defined timeout. By default, the timer will be stopped only if the Sync Word or header has been detected. However, it is also possible to stop the timer upon preamble detection by using the command *StopTimerOnPreamble(...)*.

### 13.1.6 StopTimerOnPreamble

The command *StopTimerOnPreamble(...)* allows the user to select if the timer is stopped upon preamble detection of Sync Word / header detection.

**Table 13-10: StopTimerOnPreamble SPI Transaction**

Byte	0	1
Data from host	Opcode = 0x9F	StopOnPreambleParam

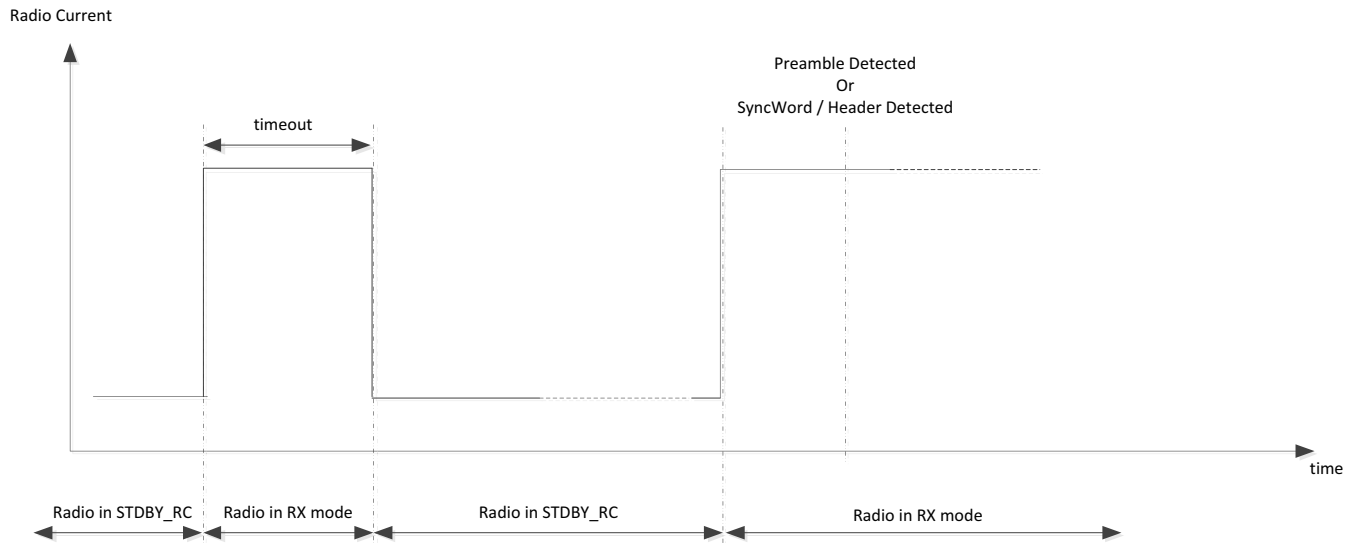
The enable byte definition is given in the following table.

**Table 13-11: StopOnPreambleParam Definition**

StopOnPreambleParam	Value	Description
disable	0x00	Timer is stopped upon Sync Word or Header detection
enable	0x01	Timer is stopped upon preamble detection

By default, the timer is stopped only when the Sync Word (in GFSK) or Header (in LoRa®) has been detected. When the function *StopTimerOnPreamble(...)* is used with the value *enable* at 0x01, then the timer will be stopped upon preamble

detection and the device will stay in RX mode until a packet is received. It is important to notice that stopping the timer upon preamble may cause the device to stay in Rx for an unexpected long period of time in case of false detection.



**Figure 13-1: Stopping Timer on Preamble or Header Detection**

### 13.1.7 SetRxDutyCycle

This command sets the chip in sniff mode so that it regularly looks for new packets. This is the listen mode.

**Table 13-12: SetRxDutyCycle SPI Transaction**

Byte	0	1-3	4-6
Data from host	Opcode= 0x94	rxPeriod(23:0)	sleepPeriod(23:0)

When this command is sent in STDBY\_RC mode, the context (device configuration) is saved and the chip enters in a loop defined by the following steps:

- The chip enters RX and listens for a packet for a period of time defined by rxPeriod
- The chip is looking for a preamble in either LoRa® or FSK
- Upon preamble detection, the timeout is stopped and restarted with the value **2 \* rxPeriod + sleepPeriod**
- If no packet is received during the RX window (defined by rxPeriod), the chip goes into SLEEP mode with context saved for a period of time defined by sleepPeriod
- At the end of the SLEEP window, the chip automatically restarts the process of restoring context and enters the RX mode, and so on. At any time, the host can stop the procedure.

The loop is terminated if either:

- A packet is detected during the RX window, at which moment the chip interrupts the host via the RX\_DONE flag and returns to STBY\_RC mode
- The host issues a *SetStandby(...)* command during the RX window (during SLEEP mode, the device is unable to receive commands straight away and must first be waken up by a falling edge of NSS).

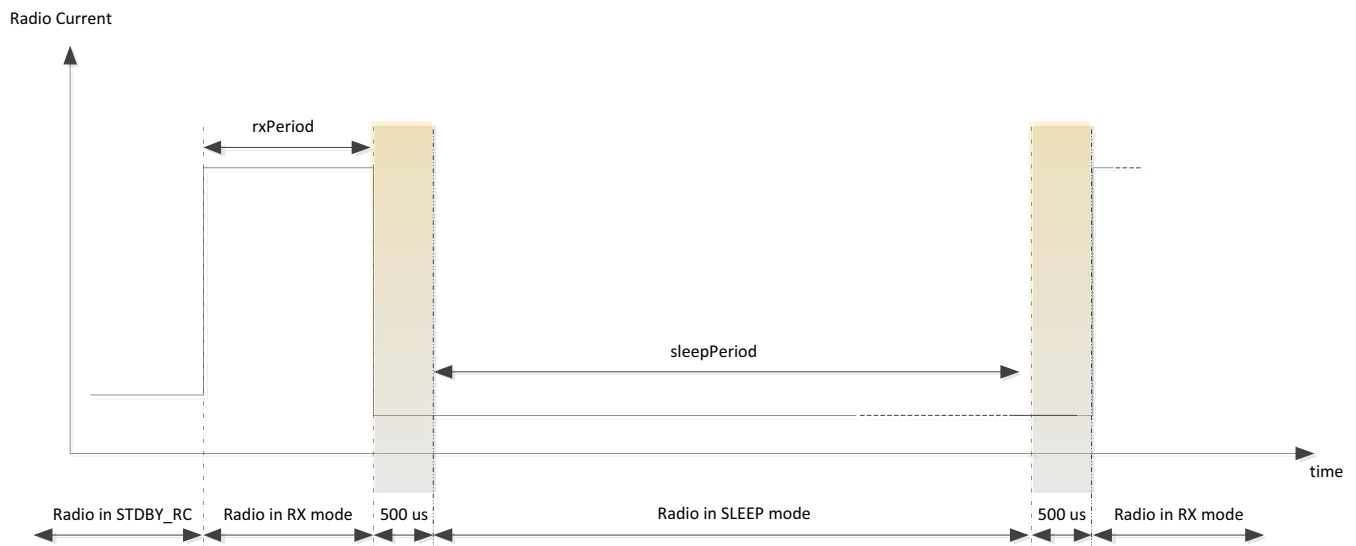
The SLEEP mode duration is defined by:

$$\text{Sleep Duration} = \text{sleepPeriod} * 15.625 \mu\text{s}$$

The RX mode duration is defined by

$$\text{Rx Duration} = \text{rxPeriod} * 15.625 \mu\text{s}$$

The following figure highlights operations being performed while in RxDutyCycle mode. It can be observed that the radio will spend around 1 ms to save the context and go into SLEEP mode and then re-initialize the radio, lock the PLL and go into RX. The delay is not accurate and may vary depending on the time needed for the XTAL to start, the PLL to lock, etc.

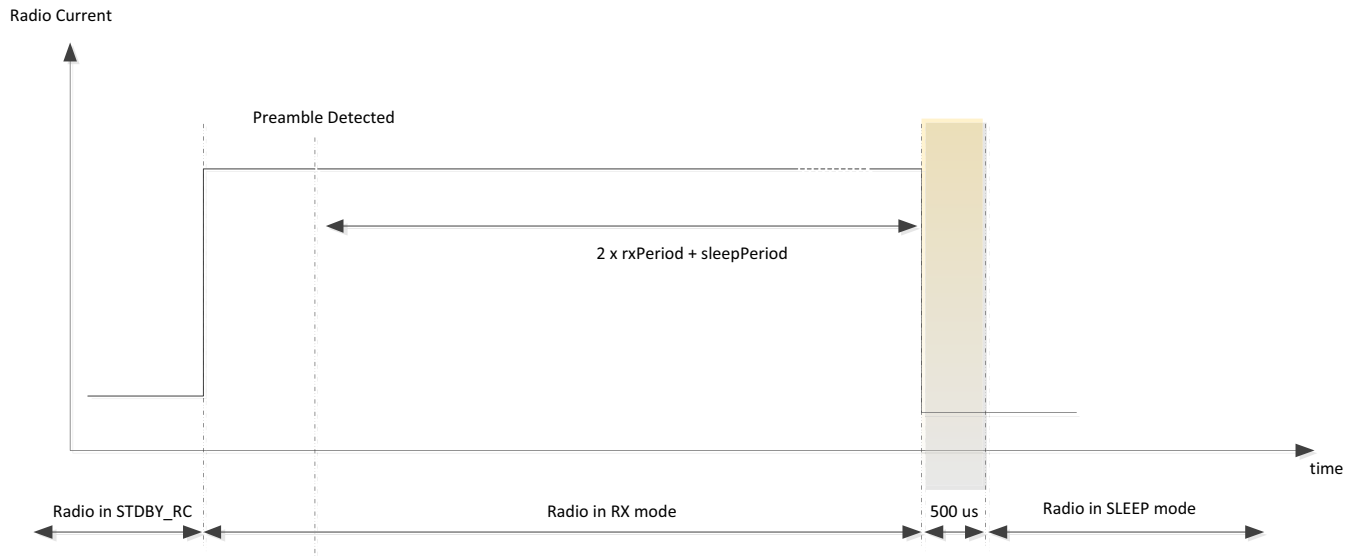


**Figure 13-2: RX Duty Cycle Energy Profile**

Upon preamble detection, the radio is set to look for a Sync Word (in GFSK) or a header (in LoRa®) and the timer is restarted with a new value which is computed as  $2 * \text{rxPeriod} + \text{sleepPeriod}$ . This is to ensure that the radio does not spend an indefinite amount of time waiting in Rx for a packet which may never arrive (false preamble detection).

This implies a strong relationship between the time-on-air of the packet to be received, and the amount of time the radio spends in RX and in SLEEP mode. If a long preamble is used on the TX side, care must be taken that the formula below is respected:

$$T_{\text{preamble}} + T_{\text{header}} \leq 2 * \text{rxPeriod} + \text{sleepPeriod}$$



**Figure 13-3: RX Duty Cycle when Receiving**

### 13.1.8 SetCAD

The command *SetCAD()* can be used only in LoRa® packet type. The Channel Activity Detection is a LoRa® specific mode of operation where the device searches for the presence of a LoRa® preamble signal. After the search has completed, the device returns in STDBY\_RC mode. The length of the search is configured via the command *SetCadParams(...)*. At the end of the search period, the device triggers the IRQ *CADdone* if it has been enabled. If a valid signal has been detected it also generates the IRQ *CadDetected*.

**Table 13-13: SetCAD SPI Transaction**

Byte	0
Data from host	Opcode = 0xC5

### 13.1.9 SetTxContinuousWave

*SetTxContinuousWave()* is a test command available for all packet types to generate a continuous wave (RF tone) at selected frequency and output power. The device stays in TX continuous wave until the host sends a mode configuration command.

**Table 13-14: SetTxContinuousWave SPI Transaction**

Byte	0
Data from host	Opcode = 0xD1

While this command has no real use case in real life, it can provide valuable help to the developer to check and monitor the performances of the radio while in Tx mode.



### 13.1.10 SetTxInfinitePreamble

*SetTxInfinitePreamble()* is a test command to generate an infinite sequence of alternating zeros and ones in FSK modulation. In LoRa®, the radio is only able to constantly modulate LoRa® preamble symbols. The device will remain in TX infinite preamble until the host sends a mode configuration command.

While this command has no real use case in real life, it can provide valuable help to the developer to check and monitor the performances of the radio while modulating in Tx mode.

**Table 13-15: SendTxInfinitePreamble SPI Transaction**

Byte	0
Data from host	Opcode = 0xD2

However, when using this function, it is impossible to define any data sent by the device. In LoRa® mode, the radio is only able to constantly modulate LoRa preamble symbols and, in FSK mode, the radio is only able to generate FSK preamble (0x55). Nevertheless, the end user will be able to easily monitor the spectral impact of its modulation parameters.

### 13.1.11 SetRegulatorMode

By default only the LDO is used. This is useful in low cost applications where the cost of the extra self needed for a DC-DC converter is prohibitive. Using only a linear regulator implies that the RX or TX current is almost doubled. This function allows to specify if DC-DC or LDO is used for power regulation. The regulation mode is defined by parameter *regModeParam*.

**Note:**

This function is clearly related to the hardware implementation of the device. The user should always use this command while knowing what has been implemented at the hardware level.

**Table 13-16: SetRegulatorMode SPI Transaction**

Byte	0	1
Data from host	Opcode= 0x96	regModeParam 0: Only LDO used for all modes 1: DC_DC+LDO used for STBY_XOSC,FS, RX and TX modes

### 13.1.12 Calibrate Function

At power up the radio performs calibration of RC64k, RC13M, PLL and ADC. It is however possible to launch a calibration of one or several blocks at any time starting in STDBY\_RC mode. The calibrate function starts the calibration of a block defined by *calibParam*.

**Table 13-17: Calibrate SPI Transaction**

Byte	0	1
Data from host	Opcode = 0x89	calibParam

The total calibration time if all blocks are calibrated is 3.5 ms. The calibration must be launched in STDBY\_RC mode and the BUSY pins will be high during the calibration process. A falling edge of BUSY indicates the end of the procedure.

**Table 13-18: Calibration Setting**

CalibParam	Calibration Setting
Bit 0	0: RC64k calibration disabled 1: RC64k calibration enabled
Bit 1	0: RC13M calibration disabled 1: RC13M calibration enabled
Bit 2	0: PLL calibration disabled 1: PLL calibration enabled
Bit 3	0: ADC pulse calibration disabled 1: ADC pulse calibration enabled
Bit 4	0: ADC bulk N calibration disabled 1: ADC bulk N calibration enabled
Bit 5	0: ADC bulk P calibration disabled 1: ADC bulk P calibration enabled
Bit 6	0: Image calibration disabled 1: Image calibration enabled
Bit 7	0: RFU

### 13.1.13 Calibratelmage

The function *Calibratelmage(...)* allows the user to calibrate the image rejection of the device for the device operating frequency band.

**Table 13-19: Calibratelmage SPI Transaction**

Byte	0	1	2
Data from host	Opcode = 0x98	freq1	freq2

For more details on the specific frequency bands, see [Section 9.2.1 "Image Calibration for Specific Frequency Bands"](#) on [page 55](#).

### 13.1.14 SetPaConfig

*SetPaConfig* is the command which is used to differentiate the SX1261 from the SX1262. When using this command, the user selects the PA to be used by the device as well as its configuration.

**Table 13-20: SetPaConfig SPI Transaction**

Byte	0	1	2	3	4
Data from host	Opcode = 0x95	paDutyCycle	hpMax	deviceSel 0: SX1262 1: SX1261	paLut reserved and always 0x01

*paDutyCycle* controls the duty cycle (conduction angle) of both PAs (SX1261 and SX1262). The maximum output power, the power consumption, and the harmonics will drastically change with *paDutyCycle*. The values given across this datasheet are the recommended settings to achieve the best efficiency of the PA. Changing the *paDutyCycle* will affect the distribution of the power in the harmonics and should thus be selected to work in conjunction of a given matching network.

*hpMax* selects the size of the PA in the SX1262, this value has no influence on the SX1261. The maximum output power can be reduced by reducing the value of *hpMax*. The valid range is between 0x00 and 0x07 and 0x07 is the maximum supported value for the SX1262 to achieve +22 dBm output power. Increasing *hpMax* above 0x07 could cause early aging of the device or could damage the device when used in extreme temperatures.

*deviceSel* is used to select either the SX1261 or the SX1262.

*paLut* is reserved and has always the value 0x01.

#### 13.1.14.1 PA Optimal Settings

PA optimal settings are used to maximize the PA efficiency when the requested output power is lower than the nominal +22 dBm (SX1262) or +14/15 dBm (SX1261). For example, the maximum output power in Japan is +10 dBm, and in China it is +17 dBm in some bands. Those optimal settings require:

- a dedicated matching / PA load impedance
- a specific tweaking of the PA settings, described in [Table 13-21: PA Operating Modes with Optimal Settings](#)

**Table 13-21: PA Operating Modes with Optimal Settings**

Mode	Output Power	paDutyCycle	hpMax	deviceSel	paLut	Value in SetTxParams <sup>1</sup>
SX1261	+15 dBm	0x06	0x00	0x01	0x01	+14 dBm
	+14 dBm	0x04	0x00	0x01	0x01	+14 dBm
	+10 dBm	0x01	0x00	0x01	0x01	+13 dBm

**Table 13-21: PA Operating Modes with Optimal Settings**

Mode	Output Power	paDutyCycle	hpMax	deviceSel	paLut	Value in SetTxParams <sup>1</sup>
SX1262	+22 dBm	0x04	0x07	0x00	0x01	+22 dBm
	+20 dBm	0x03	0x05	0x00	0x01	+22 dBm
	+17 dBm	0x02	0x03	0x00	0x01	+22 dBm
	+14 dBm	0x02	0x02	0x00	0x01	+14 dBm

1. See Section 13.4.4 "SetTxParams" on page 83.

**Note:**

These changes make the use of nominal power either sub-optimal or unachievable.

**Caution!**

The following restrictions must be observed to avoid voltage overstress on the PA, exceeding the maximum ratings may cause irreversible damage to the device:

- For SX1261 at synthesis frequency above 400 MHz, *paDutyCycle* should not be higher than 0x07.
- For SX1261 at synthesis frequency below 400 MHz, *paDutyCycle* should not be higher than 0x04.
- For SX1262, *paDutyCycle* should not be higher than 0x04.

**13.1.15 SetRxTxFallbackMode**

The command *SetRxTxFallbackMode* defines into which mode the chip goes after a successful transmission or after a packet reception.

**Table 13-22: SetRxTxFallbackMode SPI Transaction**

Byte	0	1
Data from host	Opcode = 0x93	fallbackMode

The fallbackMode byte definition is given as follows:

**Table 13-23: Fallback Mode Definition**

Fallback Mode	Value	Description
FS	0x40	The radio goes into FS mode after Tx or Rx
STDBY_XOSC	0x30	The radio goes into STDBY_XOSC mode after Tx or Rx
STDBY_RC	0x20	The radio goes into STDBY_RC mode after Tx or Rx

By default, the radio will always return in STDBY\_RC unless the configuration is changed by using this command. Changing the default mode from STDBY\_RC to STDBY\_XOSC or FS will only have an impact on the switching time of the radio.

## 13.2 Registers and Buffer Access

### 13.2.1 WriteRegister Function

The command *WriteRegister(...)* allows writing a block of bytes in a data memory space starting at a specific address. The address is auto incremented after each data byte so that data is stored in contiguous memory locations. The SPI data transfer is described in the following table.

**Table 13-24: WriteRegister SPI Transaction**

Byte	0	1	2	3	4	...	n
Data from host	Opcode = 0x0D	address[15:8]	address[7:0]	data@address	data@address+1	...	data@address+ (n-3)
Data to host	RFU	Status	Status	Status	Status	...	status

### 13.2.2 ReadRegister Function

The command *ReadRegister(...)* allows reading a block of data starting at a given address. The address is auto-incremented after each byte. The SPI data transfer is described in [Table 13-25](#). Note that the host has to send an **NOP** after sending the 2 bytes of address to start receiving data bytes on the next NOP sent.

**Table 13-25: ReadRegister SPI Transaction**

Byte	0	1	2	3	4	5	...	n
Data from host	Opcode = 0x1D	address[15:8]	address[7:0]	NOP	NOP	NOP	...	NOP
Data to host	RFU	Status	Status	Status	data@address	data@address+1	...	data@address+ (n-4)

### 13.2.3 WriteBuffer Function

This function is used to store data payload to be transmitted. The address is auto-incremented; when it exceeds the value of 255 it is wrapped back to 0 due to the circular nature of the data buffer. The address starts with an offset set as a parameter of the function. [Table 13-26](#) describes the SPI data transfer.

**Table 13-26: WriteBuffer SPI Transaction**

Byte	0	1	2	3	...	n
Data from host	Opcode = 0x0E	offset	data@offset	data@offset+1	...	data@offset+(n-2)
Data to host	RFU	Status	Status	Status	...	Status

## 13.2.4 ReadBuffer Function

This function allows reading (n-3) bytes of payload received starting at offset. Note that the NOP must be sent after sending the offset.

**Table 13-27: ReadBuffer SPI Transaction**

Byte	0	1	2	3	4	...	n
Data from host	Opcode = 0x1E	offset	NOP	NOP	NOP	...	NOP
Data to host	RFU	Status	Status	data@offset	data@offset+1	...	data@offset+(n-3)

## 13.3 DIO and IRQ Control Functions

### 13.3.1 SetDioIrqParams

This command is used to set the IRQ flag.

**Table 13-28: SetDioIrqParams SPI Transaction**

Byte	0	1-2	3-4	5-6	7-8
Data from host	SetDioIrqParams (0x08)	Irq Mask(15:0)	DIO1Mask(15:0)	DIO2Mask(15:0)	DIO3Mask(15:0)

### 13.3.2 IrqMask

The IrqMask masks or unmasks the IRQ which can be triggered by the device. By default, all IRQ are masked (all '0') and the user can enable them one by one (or several at a time) by setting the corresponding mask to '1'.

#### 13.3.2.1 DioxMask

The interrupt causes a DIO to be set if the corresponding bit in DioxMask and the IrqMask are set. As an example, if bit 0 of IrqMask is set to 1 and bit 0 of DIO1Mask is set to 1 then, a rising edge of IRQ source TxDone will be logged in the IRQ register and will appear at the same time on DIO1.

One IRQ can be mapped to all DIOs, one DIO can be mapped to all IRQs (an OR operation is done) but some IRQ sources will be available only on certain modes of operation and frames.

In total there are 10 possible interrupt sources depending on the chosen frame and chip mode. Each one of them can be enabled or masked. In addition, every one of them can be mapped to DIO1, DIO2 or DIO3. Note that if DIO2 or DIO3 are used to control the RF Switch or the TCXO, the IRQ will not be generated even if it is mapped to the pins.

**Table 13-29: IRQ Registers**

Bit	IRQ	Description	Protocol
0	TxDone	Packet transmission completed	All
1	RxDone	Packet received	All
2	PreambleDetected	Preamble detected	All
3	SyncWordValid	Valid sync word detected	FSK
4	HeaderValid	Valid LoRa header received	LoRa®
5	HeaderErr	LoRa header CRC error	LoRa®
6	CrcErr	Wrong CRC received	All
7	CadDone	Channel activity detection finished	LoRa®
8	CadDetected	Channel activity detected	LoRa®
9	Timeout	Rx or Tx timeout	All

A dedicated 10-bit register called IRQ\_reg is used to log IRQ sources. Each position corresponds to one IRQ source as described in the table above. A set of user commands is used to configure IRQ mask, DIOs mapping and IRQ clearing as explained in the following chapters.

### 13.3.3 GetIrqStatus

This command returns the value of the IRQ register.

**Table 13-30: GetIrqStatus SPI Transaction**

Byte	0	1	2-3
Data from host	Opcode = 0x12	NOP	NOP
Data to host	RFU	Status	IrqStatus(15:0)

### 13.3.4 ClearIrqStatus

This command clears an IRQ flag in the IRQ register.

**Table 13-31: ClearIrqStatus SPI Transaction**

Byte	0	1-2
Data from host	Opcode = 0x02	ClearIrqParam(15:0)

This function clears an IRQ flag in the IRQ register by setting to 1 the bit of *ClearIrqParam* corresponding to the same position as the IRQ flag to be cleared. As an example, if bit 0 of *ClearIrqParam* is set to 1 then IRQ flag at bit 0 of IRQ register is cleared.

If a DIO is mapped to one single IRQ source, the DIO is cleared if the corresponding bit in the IRQ register is cleared. If DIO is set to 0 with several IRQ sources, then the DIO remains set to one until all bits mapped to the DIO in the IRQ register are cleared.

### 13.3.5 SetDIO2AsRfSwitchCtrl

This command is used to configure DIO2 so that it can be used to control an external RF switch.

**Table 13-32: SetDIO2AsRfSwitchCtrl SPI Transaction**

Byte	0	1
Data from host	Opcode = 0x9D	enable

When controlling the external RX switch, the pin DIO2 will toggle accordingly to the internal state machine. DIO2 will go up a few microseconds before the ramp-up of the PA and will go back down to zero after the ramp-down of the PA.

The enable byte definition is given as follows:

**Table 13-33: Enable Configuration Definition**

Enable	Description
0	DIO2 is free to be used as an IRQ
1	DIO2 is selected to be used to control an RF switch. In this case: DIO2 = 0 in SLEEP, STDBY_RX, STDBY_XOSC, FS and RX modes, DIO2 = 1 in TX mode

### 13.3.6 SetDIO3AsTCXOCtrl

This command is used to configure the chip for an external TCXO reference voltage controlled by DIO3.

**Table 13-34: SetDIO3asTCXOCtrl SPI Transaction**

Byte	0	1	2-4
Data from host	Opcode = 0x97	tcxoVoltage	timeout(23:0)



When this command is used, the device now controls the TCXO itself through DIO3. When needed (in mode STDBY\_XOSC, FS, TX and RX), the internal state machine will set DIO3 to a predefined output voltage (control through the parameter *tcxoVoltage*). Internally, the clock controller will wait for the 32 MHz to appear before releasing the internal state machine.

The time needed for the 32 MHz to appear and stabilize can be controlled through the parameter *timeout*. If the 32 MHz from the TCXO is not detected internally at the end the *timeout* period, the error XOSC\_START\_ERR will be flagged in the error controller.

The *tcxoVoltage* byte definition is given in as follows:

**Table 13-35: tcxoVoltage Configuration Definition**

<b>tcxoVoltage</b>	<b>Description</b>
0x00	DIO3 outputs 1.6 V to supply the TCXO
0x01	DIO3 outputs 1.7 V to supply the TCXO
0x02	DIO3 outputs 1.8 V to supply the TCXO
0x03	DIO3 outputs 2.2 V to supply the TCXO
0x04	DIO3 outputs 2.4 V to supply the TCXO
0x05	DIO3 outputs 2.7 V to supply the TCXO
0x06	DIO3 outputs 3.0 V to supply the TCXO
0x07	DIO3 outputs 3.3 V to supply the TCXO

The power regulation for *tcxoVoltage* is configured to be 200 mV below the supply voltage. This means that even if *tcxoVoltage* is configured above the supply voltage, the supply voltage will be limited by: **VDDop > VTCXO + 200 mV**

The *timeout* duration is defined by

$$\textit{Timeout duration} = \textit{Timeout} * 15.625 \mu\text{s}$$

Most TCXO will not be immediately ready at the desired frequency and will suffer from an initial setup time where the frequency is gently drifting toward the wanted frequency. This setup time is different from one TCXO to another and is also dependent on the TCXO manufacturer. To ensure this setup time does not have any effect on the modulation or packets, the *timeout* value will internally gate the 32 MHz coming from the TCXO to give enough time for this initial drift to stabilize. At the end of the *timeout* period, the internal block will stop gating the clock and the radio will carry on to the next step.

**Note:**

The user should take the *timeout* period into account when going into Tx or Rx mode from STDBY\_RC mode. Indeed, the time needed to switch modes will increase with the duration of *timeout*. To avoid increasing the switching mode time, the user can first set the device in STDBY\_XOSC which will switch on the TCXO and wait for the *timeout* period. Then, the user can set the device into Tx or Rx mode without suffering from any delay additional to the internal processing.

## 13.4 RF Modulation and Packet-Related Functions

### 13.4.1 SetRfFrequency

The command *SetRfFrequency(...)* is used to set the frequency of the RF frequency mode.

**Table 13-36: SetRfFrequency SPI Transaction**

Byte	0	1-4
Data from host	Opcode = 0x86	RfFreq(31:0)

The **LSB** of Freq is equal to the **PLL** step which is:

$$RF_{frequency} = \frac{RF_{Freq} * F_{XTAL}}{2^{25}}$$

*SetRfFrequency(...)* defines the chip frequency in FS, TX and RX modes. In RX, the frequency is internally lowered to **IF** (250 kHz by default).

### 13.4.2 SetPacketType

The command *SetPacketType(...)* sets the SX1261 radio in **LoRa®** or in **FSK** mode. The command *SetPacketType(...)* must be the first of the radio configuration sequence. The parameter for this command is *PacketType*.

**Table 13-37: SetPacketType SPI Transaction**

Byte	0	1
Data from host	Opcode = 0x8A	PacketType

**Table 13-38: PacketType Definition**

PacketType	Value	Modem Mode of Operation
PACKET_TYPE_GFSK	0x00	GFSK packet type
PACKET_TYPE_LORA	0x01	LORA mode

Changing from one mode of operation to another is done using the command *SetPacketType(...)*. The parameters from the previous mode are not kept internally. The switch from one frame to another must be done in **STDBY\_RC** mode.

### 13.4.3 GetPacketType

The command *GetPacketType()* returns the current operating packet type of the radio.

**Table 13-39: GetPacketType SPI Transaction**

Byte	0	1	2
Data from host	Opcode = 0x11	NOP	NOP
Data to host	RFU	Status	packetType

### 13.4.4 SetTxParams

This command sets the TX output power by using the parameter *power* and the TX ramping time by using the parameter *RampTime*. This command is available for all protocols selected.

**Table 13-40: SetTxParams SPI Transaction**

Byte	0	1	2
Data from host	Opcode = 0x8E	power	RampTime

The output power is defined as *power* in dBm in a range of

- - 17 (0xEF) to +14 (0x0E) dBm by step of 1 dB if low power PA is selected
- - 9 (0xF7) to +22 (0x16) dBm by step of 1 dB if high power PA is selected

Selection between high power PA and low power PA is done with the command *SetPaConfig* and the parameter *deviceSel*. By default low power PA and +14 dBm are set.

The power ramp time is defined by the parameter *RampTime* as defined in the following table:

**Table 13-41: RampTime Definition**

RampTime	Value	RampTime ( $\mu$ s)
SET_RAMP_10U	0x00	10
SET_RAMP_20U	0x01	20
SET_RAMP_40U	0x02	40
SET_RAMP_80U	0x03	80
SET_RAMP_200U	0x04	200
SET_RAMP_800U	0x05	800
SET_RAMP_1700U	0x06	1700
SET_RAMP_3400U	0x07	3400

## 13.4.5 SetModulationParams

The command *SetModulationParams(...)* is used to configure the modulation parameters of the radio. Depending on the packet type selected prior to calling this function, the parameters will be interpreted differently by the chip.

**Table 13-42: SetModulationParams SPI Transaction**

Byte	0	1	2	3	4	5	6	7	8
Data from host for Modulation Params	Opcode 0x8B	Mod Param1	Mod Param2	Mod Param3	Mod Param4	Mod Param5	Mod Param6	Mod Param7	Mod Param8

The meaning of the parameter depends on the selected protocol.

In **FSK** bitrate (BR) and Frequency Deviation (Fdev) are used for the transmission or reception. Bandwidth is used for reception purpose. The pulse represents the Gaussian filter used to filter the modulation stream on the transmitter side.

In **LoRa®** packet type, SF corresponds to the Spreading Factor used for the **LoRa®** modulation. SF is defined by the parameter *Param[1]*. BW corresponds to the bandwidth onto which the **LoRa®** signal is spread. BW in **LoRa®** is defined by the parameter *Param[2]*.

The **LoRa®** payload is fit with a forward error correcting mechanism which has several levels of encoding. The Coding Rate (CR) is defined by the parameter *Param[3]* in **LoRa®**.

The parameter *LdOpt* corresponds to the Low Data Rate Optimization (LDRO). This parameter is usually set when the **LoRa®** symbol time is equal or above 16.38 ms (typically for SF11 with BW125 and SF12 with BW125 and BW250). See [Section 6.1.1.4 "Low Data Rate Optimization" on page 39](#).

### 13.4.5.1 GFSK Modulation Parameters

The tables below provide more details on the GFSK modulation parameters:

**Table 13-43: GFSK ModParam1, ModParam2 & ModParam3 - br**

BR(23:0)	Description
0x000001 to 0xFFFFF	$br = 32 * F_{xtal} / \text{bit rate}$

The bit rate is entered with the parameter *br* which is related to the frequency of the main oscillator (32 MHz). The bit rate range is from 600 b/s up to 300 kb/s with a default value at 4.8 kb/s.

**Table 13-44: GFSK ModParam4 - PulseShape**

PulseShape	Description
0x00	No Filter applied
0x08	Gaussian BT 0.3
0x09	Gaussian BT 0.5
0x0A	Gaussian BT 0.7
0x0B	Gaussian BT 1

**Table 13-45: GFSK ModParam5 - Bandwidth**

Bandwidth	Description
0x1F	RX_BW_4800 (4.8 kHz DSB)
0x17	RX_BW_5800 (5.8 kHz DSB)
0x0F	RX_BW_7300 (7.3 kHz DSB)
0x1E	RX_BW_9700 (9.7 kHz DSB)
0x16	RX_BW_11700 (11.7 kHz DSB)
0x0E	RX_BW_14600 (14.6 kHz DSB)
0x1D	RX_BW_19500 (19.5 kHz DSB)
0x15	RX_BW_23400 (23.4 kHz DSB)
0x0D	RX_BW_29300 (29.3 kHz DSB)
0x1C	RX_BW_39000 (39 kHz DSB)
0x14	RX_BW_46900 (46.9 kHz DSB)
0x0C	RX_BW_58600 (58.6 kHz DSB)
0x1B	RX_BW_78200 (78.2 kHz DSB)
0x13	RX_BW_93800 (93.8 kHz DSB)
0x0B	RX_BW_117300 (117.3 kHz DSB)
0x1A	RX_BW_156200 (156.2 kHz DSB)
0x12	RX_BW_187200 (187.2 kHz DSB)
0x0A	RX_BW_234300 (232.3 kHz DSB)
0x19	RX_BW_312000 (312 kHz DSB)
0x11	RX_BW_373600 (373.6 kHz DSB)
0x09	RX_BW_467000 (467 kHz DSB)

**Table 13-46: GFSK ModParam6, ModParam7 & ModParam8 - Fdev**

Fdev(23:0)	Description
0x000000 to 0xFFFFF	Fdev = (Frequency Deviation * 2 <sup>25</sup> ) / Fxtal

$$Frequency\ deviation = \frac{F_{dev} * F_{XTAL}}{2^{25}}$$

### 13.4.5.2 LoRa® Modulation Parameters

The tables below provide more details on the LoRa® modulation parameters:

**Table 13-47: LoRa® ModParam1- SF**

SF	Description
0x05	SF5
0x06	SF6
0x07	SF7
0x08	SF8
0x09	SF9
0x0A	SF10
0x0B	SF11
0x0C	SF12

**Table 13-48: LoRa® ModParam2 - BW**

BW	Description
0x00	LORA_BW_7 (7.81 kHz real)
0x08	LORA_BW_10 (10.42 kHz real)
0x01	LORA_BW_15 (15.63 kHz real)
0x09	LORA_BW_20 (20.83 kHz real)
0x02	LORA_BW_31 (31.25 kHz real)
0x0A	LORA_BW_41 (41.67 kHz real)
0x03	LORA_BW_62 (62.50 kHz real)
0x04	LORA_BW_125 (125 kHz real)
0x05	LORA_BW_250 (250 kHz real)
0x06	LORA_BW_500 (500 kHz real)

**Table 13-49: LoRa® ModParam3 - CR**

CR	Description
0x01	LORA_CR_4_5
0x02	LORA_CR_4_6
0x03	LORA_CR_4_7
0x04	LORA_CR_4_8

**Table 13-50: LoRa® ModParam4 - LowDataRateOptimize**

LowDataRateOptimize	Description
0x00	LowDataRateOptimize OFF
0x01	LowDataRateOptimize ON

### 13.4.6 SetPacketParams

This command is used to set the parameters of the packet handling block.

**Table 13-51: SetPacketParams SPI Transaction**

Byte	0	1	2	3	4	5	6	7	8	9
Data from host for packet type	Opcode = 0x8C	packet Param1	packet Param2	packet Param3	packet Param4	packet Param5	packet Param6	packet Param7	packet Param8	packet Param9

#### 13.4.6.1 GFSK Packet Parameters

The tables below provide more details on the GFSK packets parameters:

**Table 13-52: GFSK PacketParam1 & PacketParam2 - PreambleLength**

PreambleLength (15:0)	Description
0x0001 to 0xFFFF	Transmitted preamble length: number of bits sent as preamble

The preamble length is a 16-bit value which represents the number of bytes which will be sent by the radio. Each preamble byte represents an alternate of 0 and 1 and each byte is coded as 0x55.

**Table 13-53: GFSK PacketParam3 - PreambleDetectorLength**

PreambleDetector	Description
0x00	Preamble detector length off
0x04	Preamble detector length 8 bits
0x05	Preamble detector length 16 bits
0x06	Preamble detector length 24 bits
0x07	Preamble detector length 32 bits

The preamble detector acts as a gate to the packet controller, when different from 0x00 (preamble detector length off), the packet controller will only become active if a certain number of preamble bits have been successfully received by the radio.

**Table 13-54: GFSK PacketParam4 - SyncWordLength**

SyncWordLength	Description
0x00 to 0x40	Sync Word length in bits (going from 0 to 8 bytes)

The Sync Word is directly programmed into the device through simple register access. The table below provide the addresses to program the Sync Word value.

**Table 13-55: Sync Word Programming**

Sync Word	Register Address
Byte 0	0x06C0
Byte 1	0x06C1
Byte 2	0x06C2
Byte 3	0x06C3
Byte 4	0x06C4
Byte 5	0x06C5
Byte 6	0x06C6
Byte 7	0x06C7

**Table 13-56: GFSK PacketParam5 - AddrComp**

AddrComp	Description
0x00	Address Filtering Disable
0x01	Address Filtering activated on Node address
0x02	Address Filtering activated on Node and broadcast addresses

The node address and the broadcast address are directly programmed into the device through simple register access. The tables below provide the addresses to program the values.

**Table 13-57: Node Address Programming**

	Register Address	Default value
NodeAddrReg	0x06CD	0x00



**Table 13-58: Broadcast Address Programming**

	Register Address	Default value
BroadcastReg	0x06CE	0x00

**Table 13-59: GFSK PacketParam6 - PacketType**

PacketType	Description
0x00	The packet length is known on both sides, the size of the payload is not added to the packet
0x01	The packet is on variable size, the first byte of the payload will be the size of the packet

**Table 13-60: GFSK PacketParam7 - PayloadLength**

AddrComp	Description
0x00 to 0xFF	Size of the payload (in bytes) to transmit or maximum size of the payload that the receiver can accept.

**Table 13-61: GFSK PacketParam8 - CRCType**

CRCType	Description
0x01	CRC_OFF (No CRC)
0x00	CRC_1_BYTE (CRC computed on 1 byte)
0x02	CRC_2_BYTE (CRC computed on 2 byte)
0x04	CRC_1_BYTE_INV (CRC computed on 1 byte and inverted)
0x06	CRC_2_BYTE_INV (CRC computed on 2 byte and inverted)

In the SX1261 and SX1262, the CRC can be fully configured and the polynomial used, as well as the initial values can be entered directly through register access.

**Table 13-62: CRC Initial Value Programming**

	Register Address	Default Value
CRC MSB Initial Value [15:8]	0x06BC	0x1D
CRC LSB Initial Value [7:0]	0x06BD	0x0F

**Table 13-63: CRC Polynomial Programming**

	Register Address	Default Value
CRC MSB polynomial value [15:8]	0x06BE	0x10
CRC LSB polynomial value [7:0]	0x06BF	0x21

**Table 13-64: GFSK PacketParam9 - Whitening**

AddrComp	Description
0x00	No encoding
0x01	Whitening enable

**Table 13-65: Whitening Initial Value**

Whitening initial value	Register Address	Default Value
Whitening initial value MSB	0x06B8	0x01
Whitening initial value LSB	0x06B9	0x00

### 13.4.6.2 LoRa® Packet Parameters

The tables below provide more details on the LoRa® packets parameters:

**Table 13-66: LoRa® PacketParam1 & PacketParam2 - PreambleLength**

PreambleLength (15:0)	Description
0x0001 to 0xFFFF	preamble length: number of symbols sent as preamble

The preamble length is a 16-bit value which represents the number of LoRa® symbols which will be sent by the radio.

**Table 13-67: LoRa® PacketParam3 - HeaderType**

HeaderType	Description
0x00	Variable length packet (explicit header)
0x01	Fixed length packet (implicit header)

When the byte headerType is at 0x00, the payload length, coding rate and the header CRC will be added to the LoRa® header and transported to the receiver.

**Table 13-68: LoRa® PacketParam4 - PayloadLength**

Payloadlength	Description
0x00 to 0xFF	Size of the payload (in bytes) to transmit or maximum size of the payload that the receiver can accept.

**Table 13-69: LoRa® PacketParam5 - CRCType**

CRCType	Description
0x00	CRC OFF
0x01	CRC ON

**Table 13-70: LoRa® PacketParam6 - InvertIQ**

AddrComp	Description
0x00	Standard IQ setup
0x01	Inverted IQ setup

### 13.4.7 SetCadParams

The command *SetCadConfig(...)* defines the number of symbols on which CAD operates.

**Table 13-71: SetCadParams SPI Transaction**

Byte	0	1	2	3	4	6-7
Data from host	Opcode = 0x88	cadSymbolNum	cadDetPeak	cadDetMin	cadExitMode	cadTimeout(23:0)

The number of symbols used is defined in the following table.

**Table 13-72: CAD Number of Symbol Definition**

cadSymbolNum	Value	Number of Symbols used for CAD
CAD_ON_1_SYMB	0x00	1
CAD_ON_2_SYMB	0x01	2
CAD_ON_4_SYMB	0x02	4
CAD_ON_8_SYMB	0x03	8
CAD_ON_16_SYMB	0x04	16

The parameters *cadDetPeak* and *cadDetMin* defines the sensitivity of the LoRa modem when trying to correlate to actual LoRa preamble symbols. These two settings depends on the LoRa spreading factor and Bandwidth, but also depends on the number of symbol used to validate or not the detection.

**Table 13-73: Recommended Settings for cadDetPeak and cadDetMin with 4 Symbols Detection**

SF	cadDetPeak	cadDetMin
5	18	10
6	19	10
7	20	10
8	21	10
9	22	10
10	23	10
11	24	10
12	25	10

Choosing the right value is not easy and the values selected must be carefully tested to ensure a good detection at sensitivity level, and also to limit the number of false detections.

The parameter *cadExitMode* defines the action to be done after a CAD operation. This is optional.

**Table 13-74: CAD Exit Mode Definition**

cadExitMode	Value	Operation
CAD_ONLY	0x00	The chip performs the CAD operation in LoRa®. Once done and whatever the activity on the channel, the chip goes back to STBY_RC mode.
CAD_RX	0x01	The chip performs a CAD operation and if an activity is detected, it stays in RX until a packet is detected or the timer reaches the timeout defined by $\text{cadTimeout} * 15.625 \text{ us}$

The parameter cadTimeout is only used when the CAD is performed with cadExitMode = CAD\_RX. Here, the cadTimeout indicates the time the device will stay in Rx following a successful CAD.

$$Rx \text{ Timeout} = cadTimeout * 15.625$$

### 13.4.8 SetBufferBaseAddress

This command sets the base addresses in the data buffer in all modes of operations for the packet handing operation in TX and RX mode. The usage and definition of those parameters are described in the different packet type sections.

**Table 13-75: SetBufferBaseAddress SPI Transaction**

Byte	0	1	2
Data from host	Opcode = 0x8F	TX base address	RX base address

### 13.4.9 SetLoRaSymbNumTimeout

This command sets the number of symbols used by the modem to validate a successful reception.

**Table 13-76: SetLoRaSymbNumTimeout SPI Transaction**

Byte	0	1
Data from host	Opcode = 0xA0	SymbNum

In LoRa® mode, when going into Rx, the modem will lock as soon as a LoRa® symbol has been detected which may lead to false detection. This phenomena is quite rare but nevertheless possible. To avoid this, the command SetLoRaSymbNumTimeout can be used to define the number of symbols which will be used to validate the correct reception of a packet.

When the SymbNum param is set the 0, the modem will validate the reception as soon as a LoRa® Symbol has been detected.

When SymbNum is different from 0, the modem will wait for a total of SymbNum LoRa® symbol to validate, or not, the correct detection of a LoRa® packet. If the various states of the demodulator are not lock at this moment, the radio will generate the RxTimeout IRQ.

## 13.5 Communication Status Information

These commands return the information about the chip status, and received packet such a packet length, received power during packet, several flags indicating if the packet as been correctly received. The returned parameters differ for the LoRa® protocol.

### 13.5.1 GetStatus

The host can retrieve chip status directly through the command *GetStatus()* : this command can be issued at any time and the device returns the status of the device. The command *GetStatus()* is not strictly necessary since device returns status information also on command bytes. The status byte returned is described in [Table 13-77](#).

**Table 13-77: Status Bytes Definition**

7	6:4	3:1	0
Reserved	Chip mode	Command status	Reserved
	0x0: Unused	0x0: Reserved	
	RFU	RFU	
	0x2: STBY_RC	0x2: Data is available to host <sup>1</sup>	
-	0x3: STBY_XOSC	0x3: Command timeout <sup>2</sup>	-
	0x4: FS	0x4: Command processing error <sup>3</sup>	
	0x5: RX	0x5: Failure to execute command <sup>4</sup>	
	0x6: TX	0x6: Command TX done <sup>5</sup>	

1. A packet has been successfully received and data can be retrieved
2. A transaction from host took too long to complete and triggered an internal watchdog. The watchdog mechanism can be disabled by host; it is meant to ensure all outcomes are flagged to the host MCU.
3. Processor was unable to process command either because of an invalid opcode or because an incorrect number of parameters has been provided.
4. The command was successfully processed, however the chip could not execute the command; for instance it was unable to enter the specified device mode or send the requested data,
5. The transmission of the current packet has terminated

The SPI transaction for the command *GetStatus()* is given in the following table.

**Table 13-78: GetStatus SPI Transaction**

Byte	0	1
Data from host	Opcode = 0xC0	NOP
Data to host	RFU	Status

## 13.5.2 GetRxBufferStatus

This command returns the length of the last received packet (PayloadLengthRx) and the address of the first byte received (RxStartBufferPointer). It is applicable to all modems. The address is an offset relative to the first byte of the data buffer.

**Table 13-79: GetRxBufferStatus SPI Transaction**

Byte	0	1	2	3
Data from host	Opcode = 0x13	NOP	NOP	NOP
Data to host	RFU	Status	PayloadLengthRx	RxStartBufferPointer

## 13.5.3 GetPacketStatus

**Table 13-80: GetPacketStatus SPI Transaction**

Byte	0	1	2	3	4
Data from host	Opcode = 0x14	NOP	NOP	NOP	NOP
Data to host for FSK packet type	RFU	Status	RxStatus	RssiSync	RssiAvg
Data to host for LORA packet type	RFU	Status	RssiPkt	SnrPkt	SignalRssiPkt

The next table gives the description of the different RSSI and SNR available on the chip depending on the packet type.

**Table 13-81: Status Bit**

RSSI	Description
RxStatus FSK	bit 7: preamble err bit 6: sync err bit 5: adrs err bit 4: crc err bit 3: lenght err bit 2: abort err bit 1: pkt received bit 0: pkt sent
RssiSync FSK	RSSI value latched upon the detection of the sync address. [negated, dBm, fixdt(0,8,1)] Actual signal power is $-RssiSync/2$ (dBm)
RssiAvg FSK	RSSI average value over the payload of the received packet. Latched upon the pkt_done IRQ. [negated, dBm, fixdt(0,8,1)] Actual signal power is $-RssiAvg/2$ (dBm)
RssiPkt LoRa®	Average over last packet received of RSSI Actual signal power is $-RssiPkt/2$ (dBm)

**Table 13-81: Status Bit**

RSSI	Description
SnrPkt LoRa®	Estimation of SNR on last packet received. In two's complement format multiplied by 4. Actual SNR in dB = SnrPkt/4
SignalRssiPkt LoRa®	Estimation of RSSI of the LoRa® signal (after despreading) on last packet received. In two's complement format. [negated, dBm, fixdt(0,8,1)] Actual Rssi in dB = -SignalRssiPkt/2

### 13.5.4 GetRssiInst

This command returns the instantaneous RSSI value during reception of the packet. The command is valid for all protocols.

**Table 13-82: GetRssiInst SPI Transaction**

Byte	0	1	2
Data from host	Opcode = 0x15	NOP	NOP
Data to host	RFU	Status	RssiInst Signal power in dBm = -RssiInst/2 (dBm)

### 13.5.5 GetStats

This command returns the number of informations received on a few last packets. The command is valid for all protocols.

**Table 13-83: GetStats SPI Transaction**

Byte	0	1	2-3	4-5	6-7
Data from host	Opcode = 0x10	NOP	NOP	NOP	NOP
Data to host in GFSK packet type	RFU	Status	NbPktReceived(15:0)	NbPktCrcError(15:0)	NbPktLengthError(15:0)
Data to host in LoRa® packet type	RFU	Status	NbPktReceived(15:0)	NbPktCrcError(15:0)	NbPktHeaderErr(15:0)

### 13.5.6 ResetStats

This command resets the value read by the command GetStats. To execute this command, the opcode is 0x0 followed by 6 zeros (so 7 zeros in total).



## 13.6 Miscellaneous

### 13.6.1 GetDeviceErrors

This command returns possible error flags that could occur during different chip operation as described below.

**Table 13-84: GetDeviceErrors SPI Transaction**

Byte	0	1	2-3
Data from host	Opcode= 0x17	NOP	NOP
Data to host	RFU	Status	OpError(15:0)

The following table gives the meaning of each OpError.

**Table 13-85: OpError Bits**

OpError	0	1
bit 0	RC64K_CALIB_ERR	RC64k calibration failed
bit 1	RC13M_CALIB_ERR	RC13M calibration failed
bit 2	PLL_CALIB_ERR	PLL calibration failed
bit 3	ADC_CALIB_ERR	ADC calibration failed
bit 4	IMG_CALIB_ERR	IMG calibration failed
bit 5	XOSC_START_ERR	XOSC failed to start
bit 6	PLL_LOCK_ERR	PLL failed to lock
bit 7	RFU	RFU
bit 8	PA_RAMP_ERR	PA ramping failed
bit 15:9	RFU	RFU

### 13.6.2 ClearDeviceErrors

This command clears all the errors recorded in the device. The errors can not be cleared independently.

**Table 13-86: ClearDeviceErrors SPI Transaction**

Byte	0	1
Data from host	Opcode= 0x07	0x00
Data to host	RFU	Status

---

# 14. Application

## 14.1 HOST API Basic Read Write Function

The communication with the SX1261/2 is organized around generic functions which allow the user to control the device behavior. Each function is based on an Operational Command (refer throughout this document as “Opcode”), which is then followed by a set of parameters. The SX1261/2 use the BUSY pin to indicate the status of the chip. In the following chapters, it is assumed that host microcontroller has an SPI and access to it via `spi.write(data)`. Data is an 8-bit word. The SPI chip select is defined by NSS, active low.

## 14.2 Circuit Configuration for Basic Tx Operation

This chapter describes the sequence of operations needed to send or receive a frame starting from a power up.

After power up (battery insertion or hard reset) the chip runs automatically a calibration procedure and goes to STDBY\_RC mode. This is indicated by a low state on BUSY pin. From this state the steps are:

1. If not in STDBY\_RC mode, then go to this mode with the command *SetStandby(...)*
2. Define the protocol (LoRa® or FSK) with the command *SetPacketType(...)*
3. Define the RF frequency with the command *SetRfFrequency(...)*
4. Define output power and ramping time with the command *SetTxParams(...)*
5. Define where the data payload will be stored with the command *SetBufferBaseAddress(...)*
6. Send the payload to the data buffer with the command *WriteBuffer(...)*
7. Define the modulation parameter according to the chosen protocol with the command *SetModulationParams(...)*
8. Define the frame format to be used with the command *SetPacketParams(...)*
9. Configure DIO and IRQ: use the command *SetDioIrqParams(...)* to select *TxDone IRQ* and map this IRQ to a DIO (DIO1, DIO2 or DIO3)
10. Define Sync Word value: use the command *WriteReg(...)* to write the value of the register via direct register access
11. Set the circuit in transmitter mode to start transmission with the command *SetTx()*. Use the parameter to enable *Timeout*
12. Wait for the IRQ *TxDone* or *Timeout*: once the packet has been sent the chip goes automatically to STDBY\_RC mode
13. Clear the IRQ *TxDone* flag

---

## 14.3 Circuit Configuration for Basic Rx Operation

This chapter describes the sequence of operations needed to receive a frame starting from a power up. This sequence is valid for all protocols.

After power up (battery insertion or hard reset) the chip run automatically a calibration procedure and goes to STDBY\_RC mode. This is indicated by a low state on BUSY pin. From this state the steps are:

1. If not in STDBY\_RC mode, then set the circuit in this mode with the command *SetStandby()*
2. Define the protocol (LoRa® or FSK) with the command *SetPacketType(...)*
3. Define the RF frequency with the command *SetRfFrequency(...)*
4. Define where the data will be stored inside the data buffer in Rx with the command *SetBufferBaseAddress(...)*
5. Define the modulation parameter according to the chosen protocol with the command *SetModulationParams(...)*
6. Define the frame format to be used with the command *SetPacketParams(...)*
7. Configure DIO and irq: use the command *SetDioIrqParams(...)* to select the IRQ *RxDone* and map this IRQ to a DIO (DIO1 or DIO2 or DIO3), set IRQ *Timeout* as well.
8. Define Sync Word value: use the command *WriteReg(...)* to write the value of the register via direct register access.
9. Set the circuit in reception mode: use the command *SetRx()*. Set the parameter to enable timeout or continuous mode
10. Wait for IRQ *RxDone* or *Timeout*: the chip will stay in Rx and look for a new packet if the continuous mode is selected otherwise it will goes to STDBY\_RC mode.
11. In case of the IRQ *RxDone*, check the status to ensure CRC is correct: use the command *GetIrqStatus()*

**Note:**

The IRQ *RxDone* means that a packet has been received but the CRC could be wrong: the user must check the CRC before validating the packet.

12. Clear IRQ flag *RxDone* or *Timeout* : use the command *ClearIrqStatus()*. In case of a valid packet (CRC Ok), get the packet length and address of the first byte of the received payload by using the command *GetRxBufferStatus(...)*
13. In case of a valid packet (CRC Ok), start reading the packet

## 14.4 Issuing Commands in the Right Order

Most of the commands can be sent in any order except for the radio configuration commands which will set the radio in the proper operating mode. Indeed, it is mandatory to set the radio protocol using the command *SetPacketType(...)* as a first step before issuing any other radio configuration commands. In a second step, the user should define the modulation parameter according to the chosen protocol with the command *SetModulationParams(...)*. Finally, the user should then select the packet format with the command *SetPacketParams(...)*.

**Note:**

If this order is not respected, the behavior of the device could be unexpected.

# 14.5 Application Schematics

## 14.5.1 Application Design of the SX1261 with RF Switch

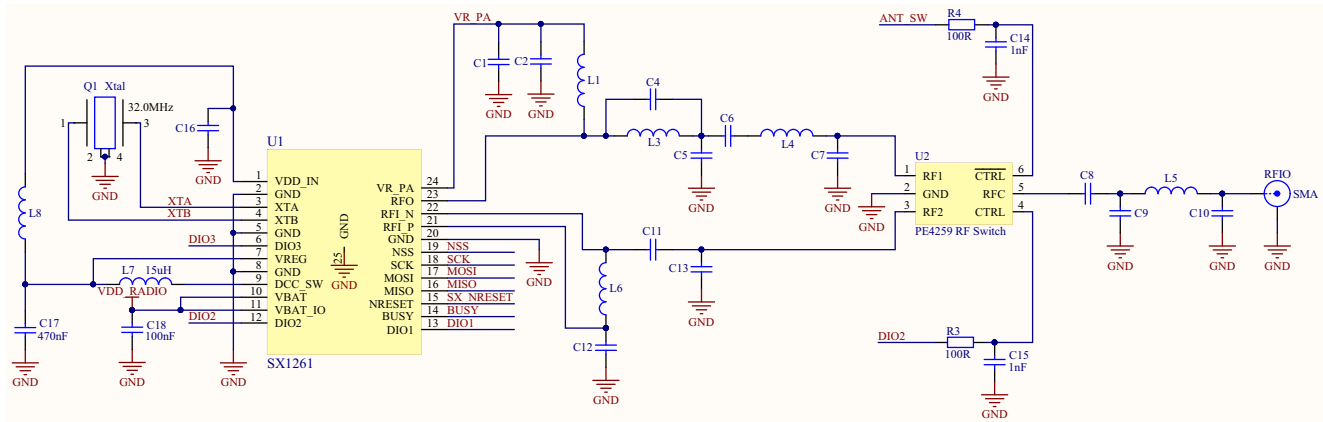


Figure 14-1: Application Schematic of the SX1261 with RF Switch

## 14.5.2 Application Design of the SX1262 with RF Switch

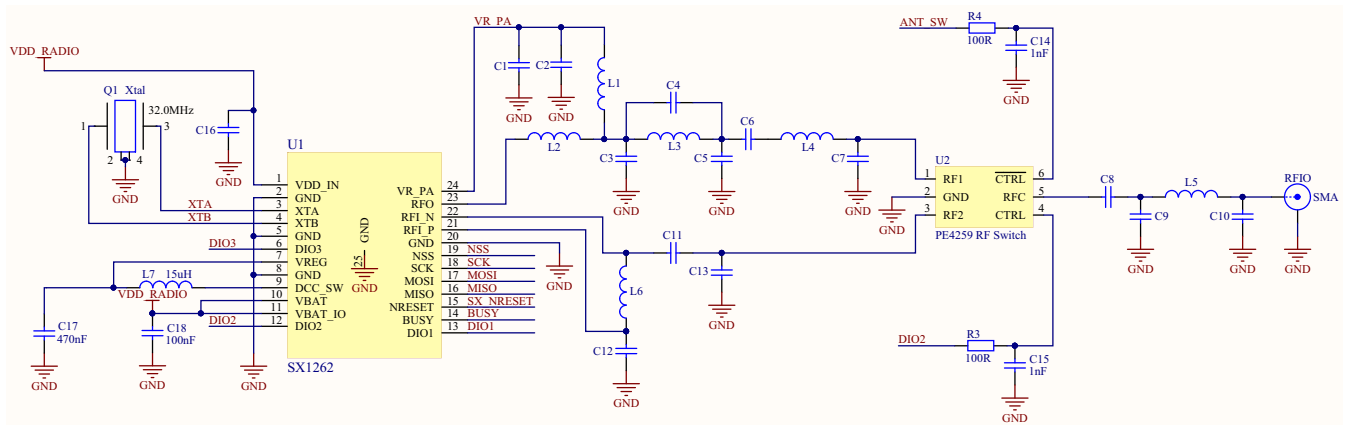


Figure 14-2: Application Schematic of the SX1262 with RF Switch

**Note:**

The application schematics presented here are for information only.

Always refer to the latest reference designs posted on [www.semtech.com](http://www.semtech.com).

**Note:**

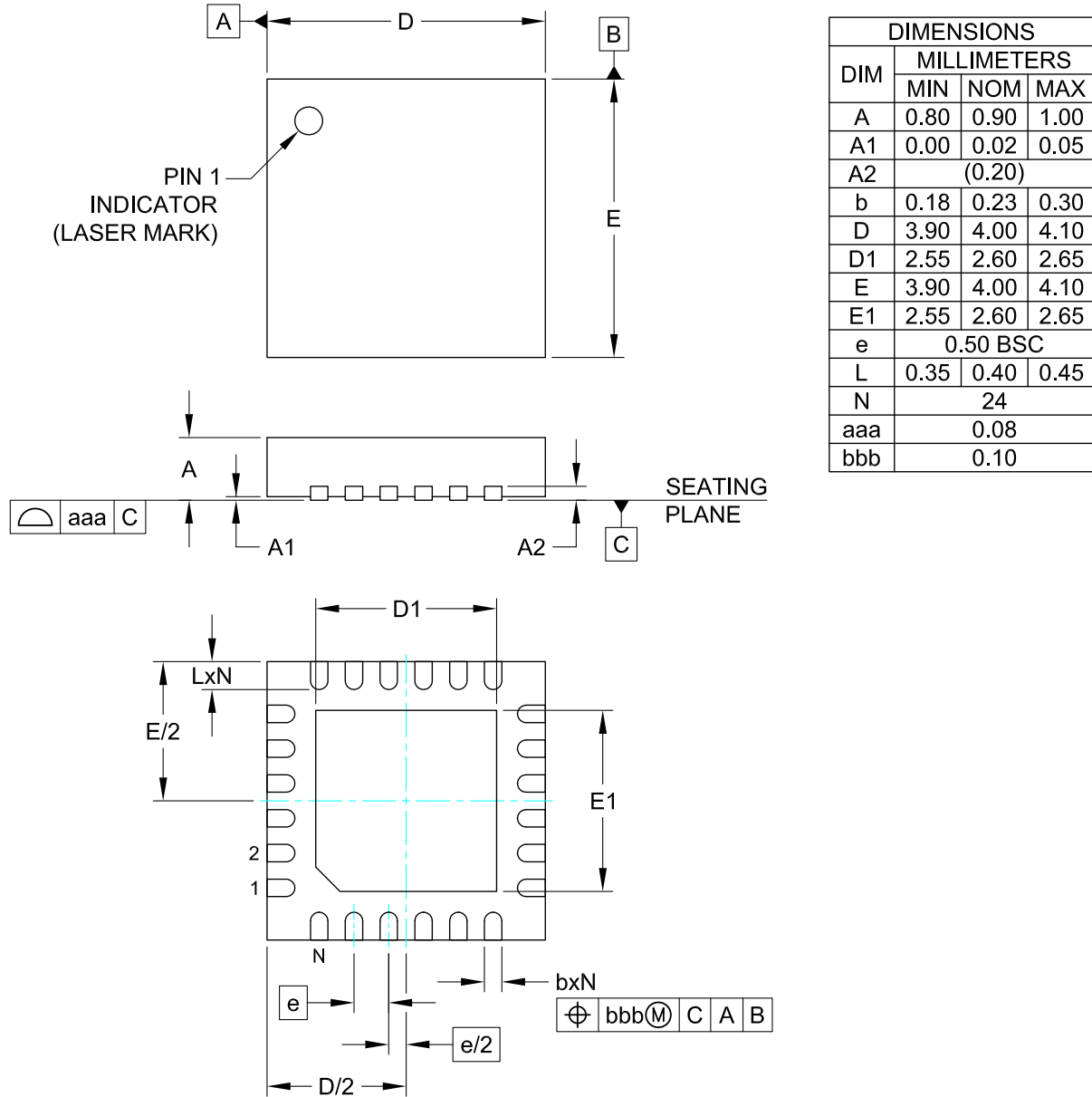
Recommendations for heat dissipation techniques to be applied to the PCB designs are given in detail in the application note AN1200.37 "Recommendations for Best Performance" on [www.semtech.com](http://www.semtech.com).

In miniaturized design implementations where heat dissipations techniques cannot be implemented or the use of the LowDataRateOptimize is not supported, the use of a TCXO will provide a more stable clock reference.

# 15. Packaging Information

## 15.1 Package Outline Drawing

The transceiver is delivered in a 4x4mm QFN package with 0.5 mm pitch:



**NOTES:**

1. CONTROLLING DIMENSIONS ARE IN MILLIMETERS (ANGLES IN DEGREES).
2. COPLANARITY APPLIES TO THE EXPOSED PAD AS WELL AS THE TERMINALS.

**Figure 15-1: QFN 4x4 Package Outline Drawing**

## 15.2 Package Marking



Marking for the 4 x 4 mm MLPQ 24 Lead package:

Snnnn = Part Number (Example: S1261)

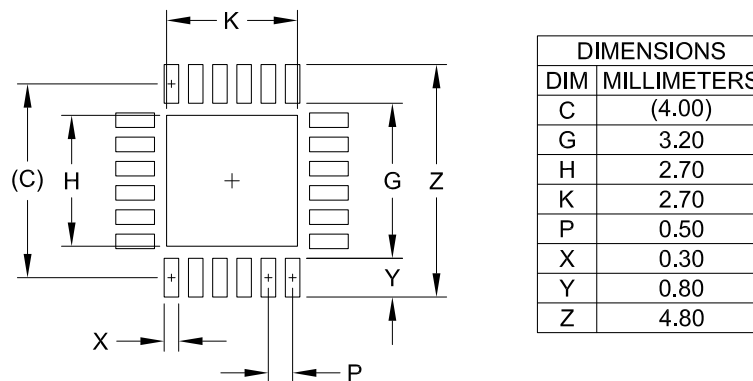
yyww = Date Code (1752)

xxxxx = Semtech Lot Number (Example: E9010)

**Figure 15-2: SX1261/2 Marking**

## 15.3 Land Pattern

The recommended land pattern is as follows:



NOTES:

1. CONTROLLING DIMENSIONS ARE IN MILLIMETERS (ANGLES IN DEGREES).
2. THIS LAND PATTERN IS FOR REFERENCE PURPOSE ONLY. CONSULT YOUR MANUFACTURING GROUP TO ENSURE YOUR COMPANY'S MANUFACTURING GUIDELINES ARE MET.
3. THERMAL VIAS IN THE LAND PATTERN OF THE EXPOSED PAD SHALL BE CONNECTED TO A SYSTEM GROUND PLANE. FAILURE TO DO SO MAY COMPROMISE THE THERMAL AND/OR FUNCTIONAL PERFORMANCE OF THE DEVICE.
4. SQUARE PACKAGE - DIMENSIONS APPLY IN BOTH " X " AND " Y " DIRECTIONS.

**Figure 15-3: QFN 4x4mm Land Pattern**

---

## 15.4 Reflow Profiles

Reflow process instructions are available from the Semtech website, at the following address:

[http://www.semtech.com/quality/ir\\_reflow\\_profiles.html](http://www.semtech.com/quality/ir_reflow_profiles.html)

The transceiver uses a QFN24 4x4 mm package, also named MLP package.

# Glossary

## List of Acronyms and their Meaning

Acronym	Meaning
ACR	Adjacent Channel Rejection
ADC	Analog-to-Digital Converter
API	Application Programming Interface
$\beta$	Modulation Index
BER	Bit Error Rate
BR	Bit Rate
BT	Bandwidth-Time bit period product
BW	BandWidth
CAD	Channel Activity Detection
CPOL	Clock Polarity
CPHA	Clock Phase
CR	Coding Rate
CRC	Cyclical Redundancy Check
CW	Continuous Wave
DIO	Digital Input / Output
DSB	Double Side Band
ECO	Engineering Change Order
FDA	Frequency Deviation
FEC	Forward Error Correction
FIFO	First In First Out
FSK	Frequency Shift Keying
GFSK	Gaussian Frequency Shift Keying
GMSK	Gaussian Minimum Shift Keying
GDPW	Gross Die Per Wafer
IF	Intermediate Frequencies
IRQ	Interrupt Request
ISM	Industrial, Scientific and Medical (radio spectrum)
LDO	Low-Dropout
LDRO	Low Data Rate Optimization



## List of Acronyms and their Meaning

Acronym	Meaning
LFSR	Linear-Feedback Shift Register
LNA	Low-Noise Amplifier
LO	Local Oscillator
LoRa®	Long Range Communication <i>the LoRa® Mark is a registered trademark of the Semtech Corporation</i>
LSB	Least Significant Bit
MISO	Master Input Slave Output
MOSI	Master Output Slave Input
MSB	Most Significant Bit
MSK	Minimum-Shift Keying
NOP	No Operation (0x00)
NRZ	Non-Return-to-Zero
NSS	Slave Select active low
OCP	Over Current Protection
PA	Power Amplifier
PER	Packet Error Rate
PHY	Physical Layer
PID	Product Identification
PLL	Phase-Locked Loop
POR	Power On or Reset
RC13M	13 MHz Resistance-Capacitance Oscillator
RC64k	64 kHz Resistance-Capacitance Oscillator
RFO	Radio Frequency Output
RFU	Reserved for Future Use
RTC	Real-Time Clock
SCK	Serial Clock
SF	Spreading Factor
SN	Sequence Number
SNR	Signal to Noise Ratio
SPI	Serial Peripheral Interface
SSB	Single Side Bandwidth
STDBY	Standby

---

## List of Acronyms and their Meaning

Acronym	Meaning
TCXO	Temperature-Compensated Crystal Oscillator
XOSC	Crystal Oscillator



---

### **Important Notice**

Information relating to this product and the application or design described herein is believed to be reliable, however such information is provided as a guide only and Semtech assumes no liability for any errors in this document, or for the application or design described herein. Semtech reserves the right to make changes to the product or this document at any time without notice. Buyers should obtain the latest relevant information before placing orders and should verify that such information is current and complete. Semtech warrants performance of its products to the specifications applicable at the time of sale, and all sales are made in accordance with Semtech's standard terms and conditions of sale.

SEMTECH PRODUCTS ARE NOT DESIGNED, INTENDED, AUTHORIZED OR WARRANTED TO BE SUITABLE FOR USE IN LIFE-SUPPORT APPLICATIONS, DEVICES OR SYSTEMS, OR IN NUCLEAR APPLICATIONS IN WHICH THE FAILURE COULD BE REASONABLY EXPECTED TO RESULT IN PERSONAL INJURY, LOSS OF LIFE OR SEVERE PROPERTY OR ENVIRONMENTAL DAMAGE. INCLUSION OF SEMTECH PRODUCTS IN SUCH APPLICATIONS IS UNDERSTOOD TO BE UNDERTAKEN SOLELY AT THE CUSTOMER'S OWN RISK. Should a customer purchase or use Semtech products for any such unauthorized application, the customer shall indemnify and hold Semtech and its officers, employees, subsidiaries, affiliates, and distributors harmless against all claims, costs damages and attorney fees which could arise.

The Semtech name and logo are registered trademarks of the Semtech Corporation. The LoRa® Mark is a registered trademark of the Semtech Corporation. All other trademarks and trade names mentioned may be marks and names of Semtech or their respective companies. Semtech reserves the right to make changes to, or discontinue any products described in this document without further notice. Semtech makes no warranty, representation or guarantee, express or implied, regarding the suitability of its products for any particular purpose. All rights reserved.

© Semtech 2017

---

### **Contact Information**

Semtech Corporation  
Wireless & Sensing Products  
200 Flynn Road, Camarillo, CA 93012  
Phone: (805) 498-2111, Fax: (805) 498-3804  
[www.semtech.com](http://www.semtech.com)

# Mouser Electronics

Authorized Distributor

Click to View Pricing, Inventory, Delivery & Lifecycle Information:

[Semtech:](#)

[SX1262IMLTRT](#) [SX1261IMLTRT](#)

# Mouser Electronics

Authorized Distributor

Click to View Pricing, Inventory, Delivery & Lifecycle Information:

[Semtech:](#)

[SX1262MB2CAS](#) [SX1261MB2BAS](#)