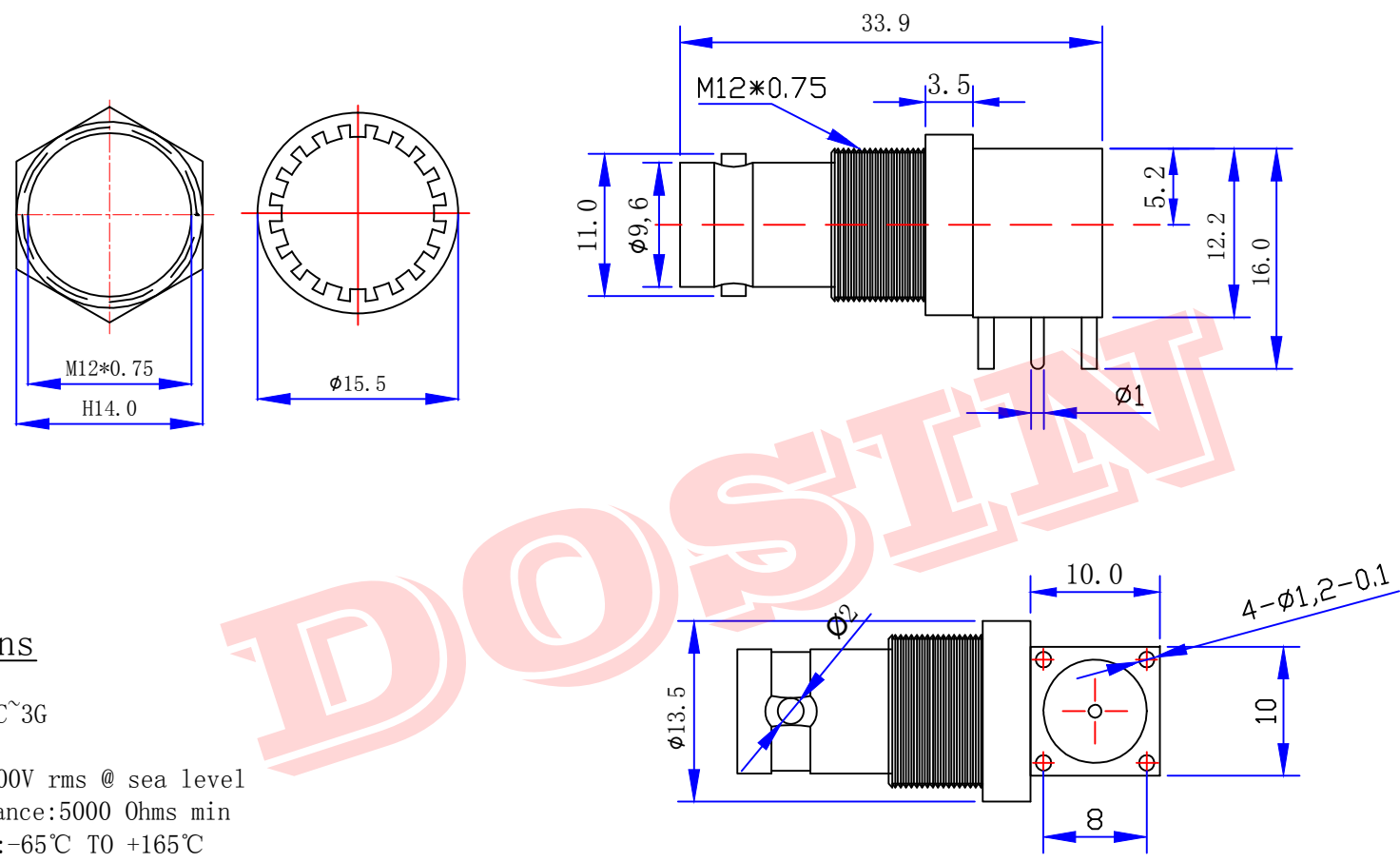


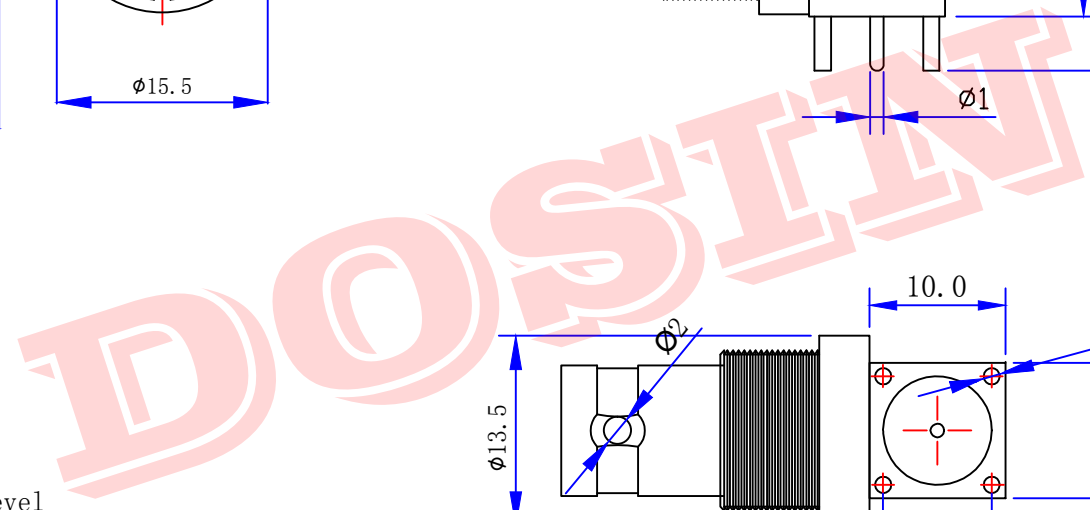


Product NO.		DOSIN-801-0079		
REV	DESCRIPTION	DWN	DATE	APPROVEN
A	First issue	CHEN	2012/11/02	John kine



Specifications

Impedance: 75 Ohms
 Frequency Range: DC~3G
 VSWR: 1.3MAX
 Working Voltage: 500V rms @ sea level
 Insulation Resistance: 5000 Ohms min
 Temperature Range: -65°C TO +165°C
 Relative Temperature: ≤95%(40° C±2° C)
 Drawings products are in line with ROHS standards



E	GASKET	TE	NICKEL	1
D	NUT	BRASS	NICKEL	1
C	INSULATOR	TEFLON	WHITE	1
B	CONTACT PLATING	BRASS	GOLD	1
A	BODY	BRASS	NICKEL	1
NO	DESCRIPTION	MATERIAL	FINISHED	QTY

NOTE:		Tolerance	0-6 ±0.2 6-30 ±0.3 30-120 ±0.5 Angular ±2°
DRAWN	2012/11/10	View	
Zelin. CHEN		UNIT	MM
CHECKED		SCALE	1:1
APPROVALS	12/04.2012		
John			
King			

Dosin Industrial(H.K)Co.Ltd 东莞市德索五金电子制品有限公司 Dosin Hardware Electronics Co.,Ltd		E-mail: dosin2005@163.com dosin2005@dosing-china.com Web: http://www.dosingconn.com TEL: (0086)769-81153906 FAX: (0086)769-81875836	
Name:		BNC CONNECTOR DNN	
SIZE	Product NO.	REV	
A	DOSIN-801-0079	A	
Date	2012/11/02	CAD FILE	D/company drawings/BD
SHEET: 1 OF 1			