

4-2399609-2 ✓ ACTIVE

PowerTube | PowerTube HVP-HD 1400

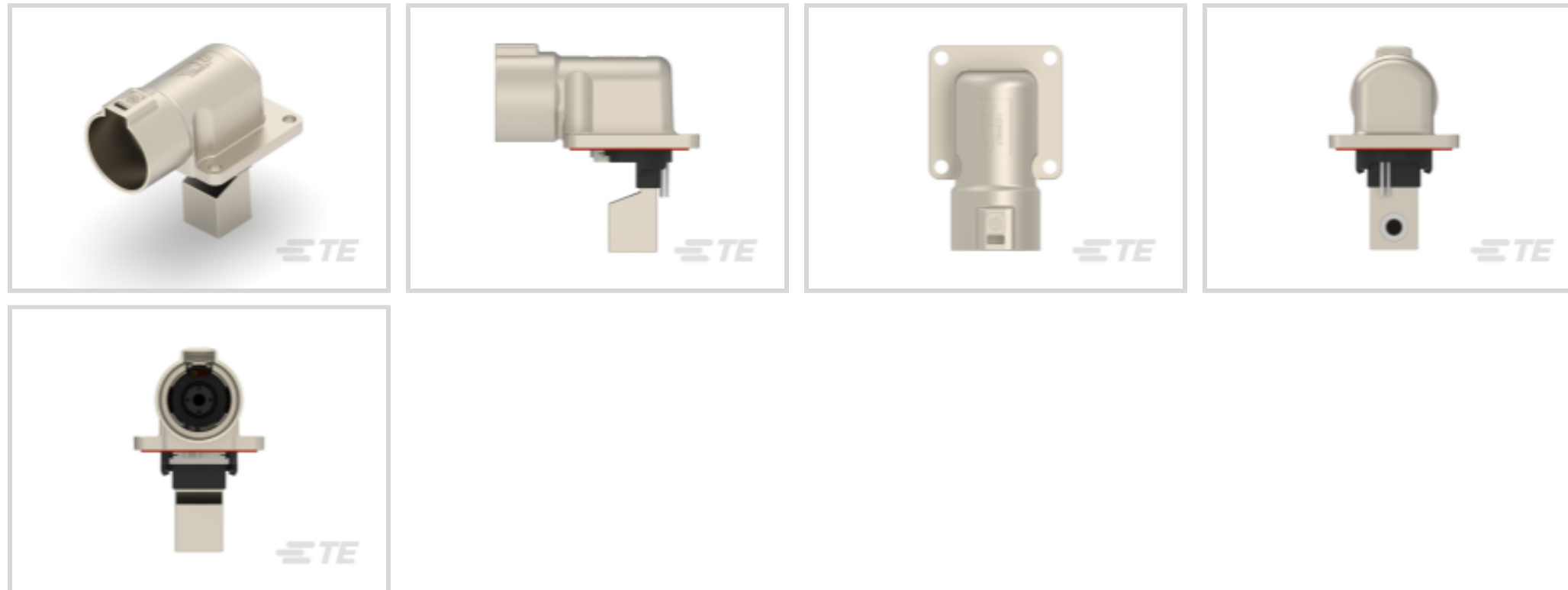
TE Internal #: 4-2399609-2

Bus Bar-to-Wire, 1 Position, Fully Shrouded, Silver (Ag), Through Hole - Screw, Sealable, Power, Natural, Container, PowerTube HVP-HD 1400

[View on TE.com >](#)



Connectors > PCB Connectors > PCB Headers & Receptacles > HVP HD1400 90 deg



Connector System: **Bus Bar-to-Wire**

Number of Positions: **1**

Number of Rows: **1**

Termination Method to PCB: **Through Hole - Screw**

Header Type: **Fully Shrouded**

[All HVP HD1400 90 deg \(90\)](#)

Features

Product Type Features

Connector Shape	Circular
Connector System	Bus Bar-to-Wire
Header Type	Fully Shrouded
Sealable	Yes
Connector & Contact Terminates To	Bus Bar

Configuration Features

Number of Positions	1
Number of Rows	1

Electrical Characteristics

Nominal Voltage Architecture	1000 V
Operating Voltage	1000 VAC

Body Features



Connector & Keying Code	B
-------------------------	---

Primary Product Color	Natural
-----------------------	---------

Contact Features

Mating Pin Diameter	14 mm[.55 in]
---------------------	---------------

Contact Mating Area Plating Material	Silver (Ag)
--------------------------------------	-------------

Contact Type	Pin
--------------	-----

Termination Features

Termination Method to PCB	Through Hole - Screw
---------------------------	----------------------

Mechanical Attachment

Mating Alignment Type	Polarization
-----------------------	--------------

Connector Mounting Type	Panel Mount
-------------------------	-------------

Mating Alignment	With
------------------	------

PCB Mount Retention	Without
---------------------	---------

Usage Conditions

Operating Temperature (Max)	140 °C[284 °F]
-----------------------------	----------------

Operating Temperature Range	-40 – 140 °C[-40 – 284 °F]
-----------------------------	----------------------------

Operation/Application

Circuit Application	Power
---------------------	-------

Industry Standards

Degree of Protection	IP6K9K
----------------------	--------

UL Flammability Rating	UL 94V-0
------------------------	----------

Packaging Features

Packaging Method	Container
------------------	-----------

Product Compliance

[For compliance documentation, visit the product page on TE.com>](#)

EU RoHS Directive 2011/65/EU	Compliant
------------------------------	-----------

EU ELV Directive 2000/53/EC	Compliant
-----------------------------	-----------

China RoHS 2 Directive MIIT Order No 32, 2016	No Restricted Materials Above Threshold
---	---

EU REACH Regulation (EC) No. 1907/2006	Current ECHA Candidate List: JUNE 2024 (241) Candidate List Declared Against: JUNE 2024 (241)
--	--



SVHC > Threshold:

Octamethylcyclotetrasiloxane (D4) (10% in Component Part)

Article Safe Usage Statements:

Wash thoroughly after handling. Recycle if possible and dispose of the article by following all applicable governmental regulations relevant to your geographic location.

Halogen Content

BFR/CFR/PVC Free, but Br/Cl >900 ppm in other sources.

Solder Process Capability

Not reviewed for solder process capability

Product Compliance Disclaimer

This information is provided based on reasonable inquiry of our suppliers and represents our current actual knowledge based on the information they provided. This information is subject to change. The part numbers that TE has identified as EU RoHS compliant have a maximum concentration of 0.1% by weight in homogenous materials for lead, hexavalent chromium, mercury, PBB, PBDE, DBP, BBP, DEHP, DIBP, and 0.01% for cadmium, or qualify for an exemption to these limits as defined in the Annexes of Directive 2011/65/EU (RoHS2). Finished electrical and electronic equipment products will be CE marked as required by Directive 2011/65/EU. Components may not be CE marked. Additionally, the part numbers that TE has identified as EU ELV compliant have a maximum concentration of 0.1% by weight in homogenous materials for lead, hexavalent chromium, and mercury, and 0.01% for cadmium, or qualify for an exemption to these limits as defined in the Annexes of Directive 2000/53/EC (ELV). Regarding the REACH Regulation, the information TE provides on SVHC in articles for this part number is based on the latest European Chemicals Agency (ECHA) 'Guidance on requirements for substances in articles' posted at this URL: <https://echa.europa.eu/guidance-documents/guidance-on-reach>

Compatible Parts



Also in the Series | **PowerTube HVP-HD 1400**



Automotive Housings(24)



Automotive Terminals(3)



Connector Seals & Cavity Plugs(5)



Other Automotive Connector Accessories(27)



PCB Headers & Receptacles(183)

Customers Also Bought



TE Part #DT04-2P
REC, 2P, GRY, N



TE Part #DT06-2S
PLG, 2P, GRY, N



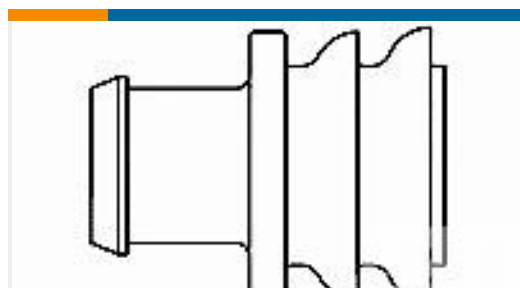
TE Part #W2S
Wedgelocks: DEUTSCH DT



TE Part #0460-202-16141
DEUTSCH Solid Contacts



TE Part #282104-1
AMP SUPERSEAL 1.5MM,
CONNECTOR HOUSING



TE Part #281934-2
SINGLE WIRE SEAL



TE Part #114017-ZZ
SEALING PLUG, SIZE 12/16, WHT

Documents

Product Drawings

[1POS,HVP1400,ASSY,90DEG,COD B](#)

English

CAD Files

Customer View Model

[ENG_CVM_CVM_4-2399609-2_B.3d_igs.zip](#)

English

Customer View Model



[ENG_CVM_CVM_4-2399609-2_B.3d_stp.zip](#)

English

Customer View Model

[ENG_CVM_CVM_4-2399609-2_B.2d_dxf.zip](#)

English

3D PDF

3D

By downloading the CAD file I accept and agree to the [Terms and Conditions](#) of use.

Datasheets & Catalog Pages

HIVONEX CONNECTORS & CHARGING SOLUTIONS

English

Product Specifications

Application Specification

English