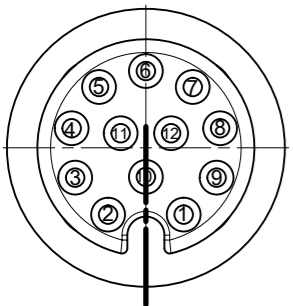


U12 12 POLE FEMALE



VIEW FROM THE FRONT SIDE

PIN	WIRE COLOR
1	WH
2	BN
3	GN
4	YE
5	GY
6	PK
7	BU
8	RD
9	BK
10	VT
11	GY/PK
12	RD/BU

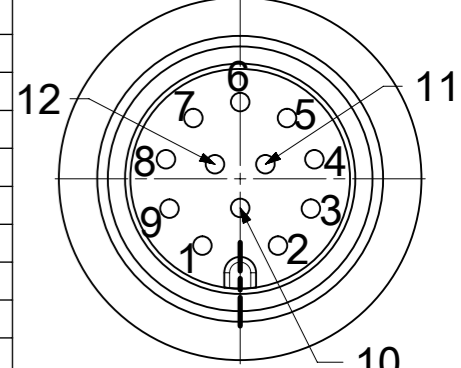
SHIELD CONNECTED TO THE HOUSING

PART No. MATRIX

W W C S 3 0 X X X X X X X X

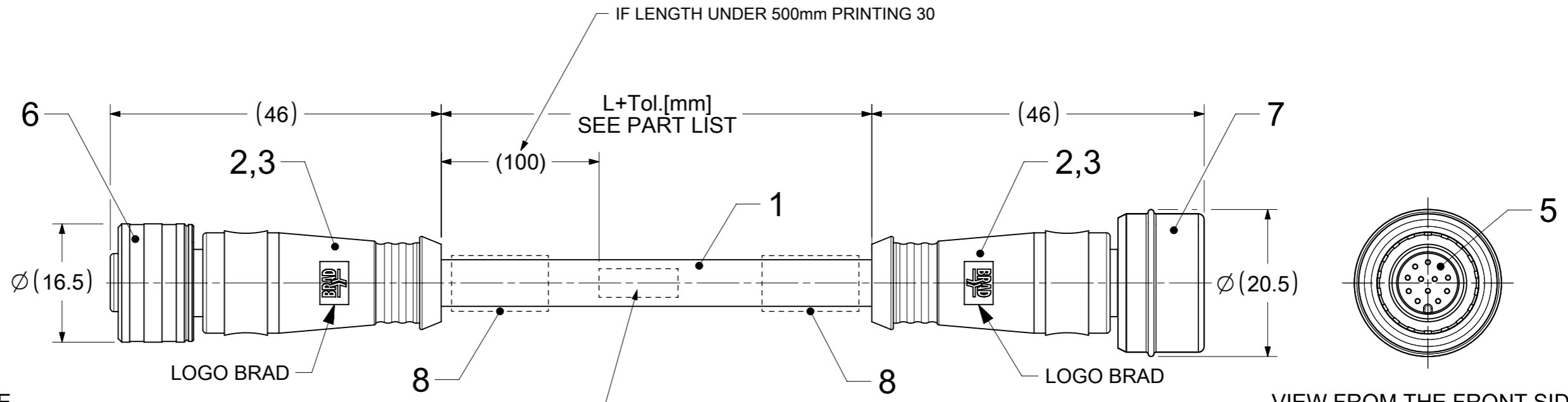
WW = ULTRA-LOCK ON BOTH SIDE
HEAD STYLE: 030 = SHIELDED MALE STR TO FEMALE STR
Poles: C = 12 Poles
Cable: P45 TYPE
Units: M = Meter, C = Centimeter
Length Examples: 005 = 0.5 m, 010 = 1 m, 050 = 5 m, 100 = 10 m
Molding color: Blank = YELLOW, G = BLACK, Nut Material: Blank = Standard, 7 = Teflon

U12 12 POLE MALE



VIEW FROM THE FRONT SIDE

SHIELD CONNECTED TO THE HOUSING



PRINTING ON THE CABLE:
 Molex MOLEX PN ENGINEERING No MXYWW
 SEE PART LIST
 DATA ACCORDING TO WN-00001

PART LIST

MOLEX PN	ENGINEERING No	OVERMOULD	L+Tol. [mm]
1200835020	WWCS30P45M020	YELLOW	2000 +89
1200835022	WWCS30P45M050	YELLOW	5000 +165
1200835044	WWCS30P45M010	YELLOW	1000 +56
1200835386	WWCS30P45M100	YELLOW	10000 +317
1200210006	WWCS30P45M030G	BLACK	3000 +89
1200835045	WWCS30P45M010G	BLACK	1000 +56
1200835293	WWCS30P45M020G	BLACK	20000 +610

BOM

ITEM	QTY.	DESCRIPTION	MATERIAL	COLOR/FINISH
8	2	I/D CARRIER	-	-
7	1	MALE ULTRALOCK ASSEMBLY	-	-
6	1	FEMALE ULTRALOCK ASSEMBLY	-	-
5	12	MALE CONTACT	BRASS	Au OVER Ni-PLATED
4	12	EMALE CONTACT	BRASS	Au OVER Ni-PLATED
3	1	SLEEVE SHIELD	BRASS	Ni-PLATED
2	-	OVERMOULD	TPU	BLACK/YELLOW
1	-	CABLE	PUR	BLACK
ITEM	QTY.	DESCRIPTION	MATERIAL	COLOR/FINISH

NOTES :
 RATED VOLTAGE : 30V AC/DC
 RATED CURRENT : 1.5 Amps
 CONTACT RESISTANCE : <5 mOhm
 IP RATING : IP67
 TEMPERATURE RANGE : -25°C TO +90°C

FUNCTIONAL SYMBOLS: $\nabla/A = 0$, $\nabla/E = 0$, $\nabla/F = 0$
 DIMENSION UNITS: mm, SCALE: 3:2
 GENERAL TOLERANCES (UNLESS SPECIFIED): ANGULAR TOL $\pm 1.0^\circ$
 DIVISIONAL SYMBOLS: 4 PLACES \pm , 3 PLACES \pm , 2 PLACES ± 0.05 , 1 PLACE ± 0.3 , 0 PLACES ± 0.5
 DRAFT WHERE APPLICABLE MUST REMAIN WITHIN DIMENSIONS
 THIRD ANGLE PROJECTION
 DRAWING: A3-SIZE, SERIES: 120083, MATERIAL NUMBER: SEE PART LIST, CUSTOMER: GENERAL MARKET, SHEET NUMBER: 1 OF 1
 CURRENT REV DESC:
 EC NO: 703538, DRWN: SSM, 2022/04/05
 CHK'D: RSILLER, 2022/04/22
 APPR: RSILLER, 2022/04/22
 INITIAL REVISION:
 DRWN: SSM, 2022/04/05
 APPR: RSILLER, 2022/04/22
 PRODUCT CUSTOMER DRAWING
 DOCUMENT NUMBER: 1200835045, DOC TYPE: PSD, DOC PART: 000, REVISION: A