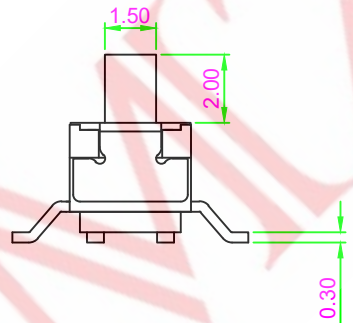
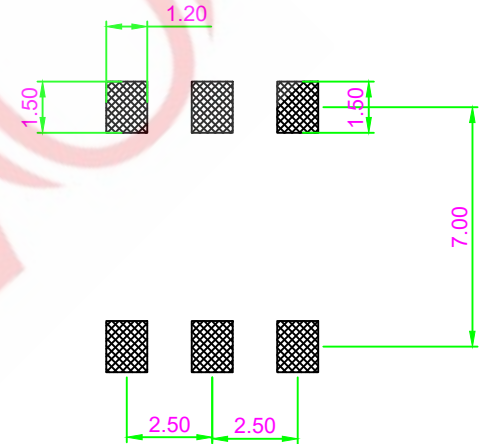
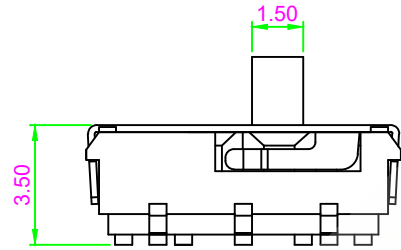
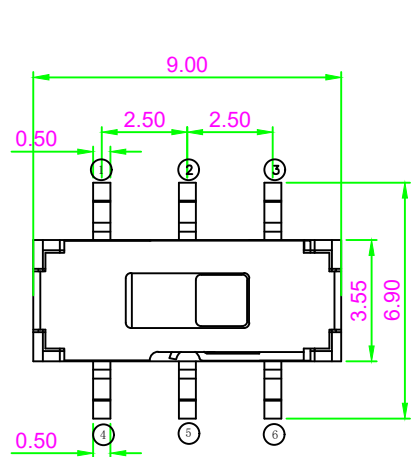


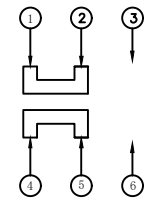
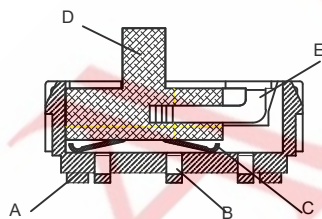
SAMZO REAC/ROHS

REV	ECN NO	DESCRIPTION	DESIGN	APPROVAL	DATE
A1	NEW	Replace frame			2018.06.12



3 A V J D A \* A A  
 A B C D E F G H

- A. 系列: 3A-6P系列
- B. 模具号: V-C9.0
- C. 引脚规格: J-正六脚
- D. 贴装方式: D-立式贴片
- E. 操作挡位: A-两档
- F. 手柄高度: C-2.0/D-2.5mm
- G. 固定方式: A-无柱
- H. 物料编码: A-常规(确认待编)



项 目		标 准
电气性能	额定电流 Rated Current:	50mA MAX
	额定电压 Rated voltage:	DC 12V
	接触电阻 Contact resistance:	≤70mΩ
	绝缘电阻 Insulation Resistance:	≥100MΩ
机械性能	耐压强度 Compressive strength:	AC250V 50Hz/1 min
	操作力度 Operating force:	200±50gf
	机械寿命 Mechanical life:	10,000 cycles Min
环境性能	操作行程 Operation Stroke:	2.0±0.1mm
	温度范围 Temperature Range:	-25°C ~ +70°C

ITEM	DESCRIPTION	MATERIAL	QTY	FINSH/COLOR			GENERAL TOLERANCE		
E	盖板	不锈钢	1	清洗			≥0~2<	±0.15	
D	手柄	PPA	1	黑色			≥2~5<	±0.25	
C	簧片	镀青铜	1	镀银	DESIGN	WANGGUIFA	2018.06.12	≥0~2<	±0.15
B	卡件	黄铜	1	镀银	CHECKED	ZHENGUILAN	2018.06.12	≥5	±0.35
A	基座	LCP	1	黑色	APPROVED	LILIANJIANG	2018.06.14		

FIRST VIEW

SCALE 1:1 UNIT mm

**SAMZO COMPONENTS**  
 Electronic switch and connector manufacturer

The copyright belongs to samzo parts (China) Co., Ltd. please use the material after samzo parts agree to authorize. The final right of interpretation belongs to samzo parts. WWW.KKK-JP.COM

TITLE: 6P-立式-C900

DWG NO: 3AVJDA-P77

PART NO: 3AVJDA093

MODEL NO: 3AVJDA-\*-AA

NAME: SLIDE SWITCH