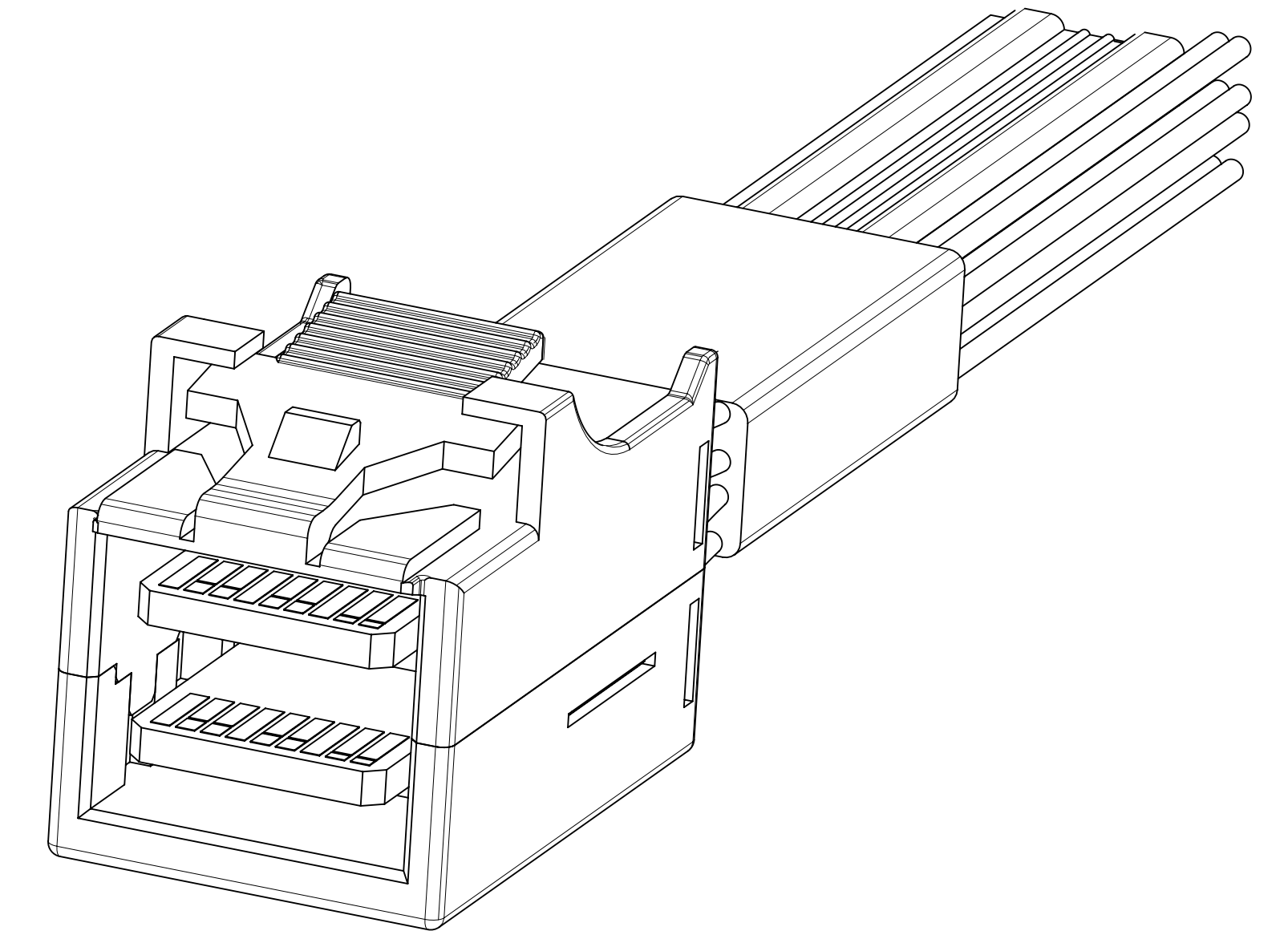
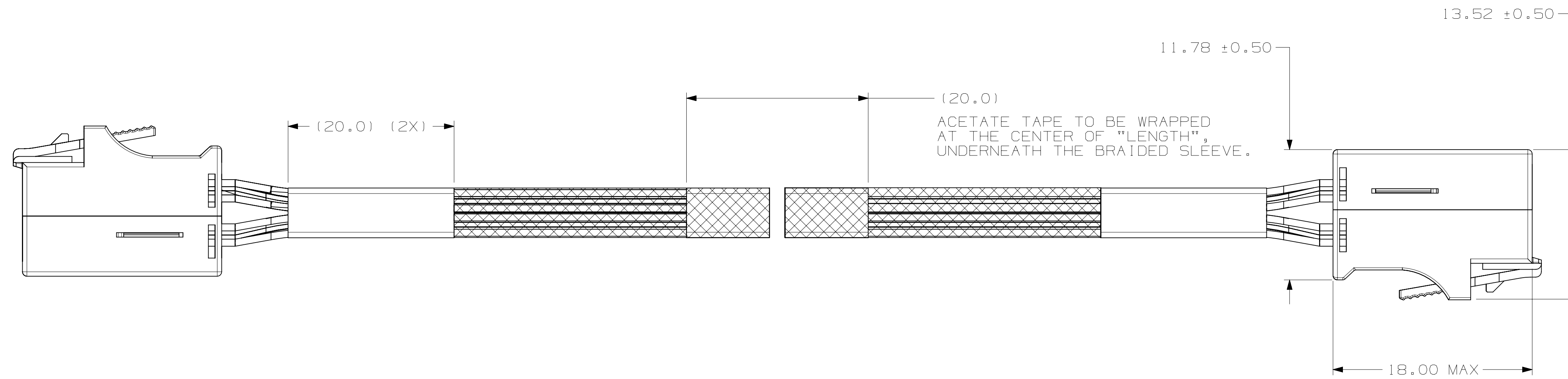
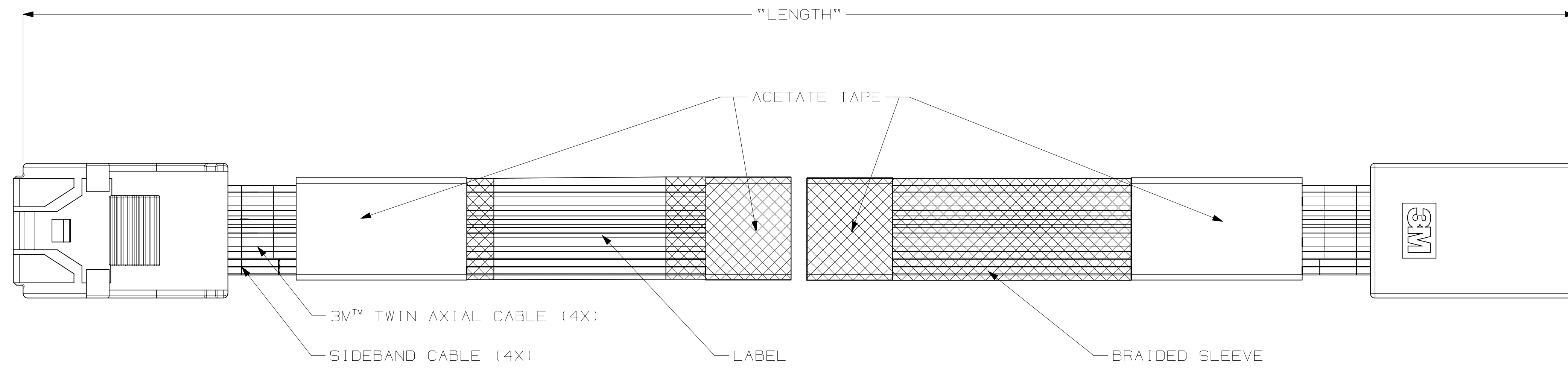


3M™ HIGH ROUTABILITY INTERNAL MINISAS HD CABLE ASSEMBLIES, 8U SERIES



3M PART NUMBER

8US4 - XXX29 - 00 - X . XX
YYWWD

LOT NUMBER

LABEL INFORMATION

DESIGN REFERENCE	NEXT ASSEMBLY	REV	ECO	ISSUE DATE AND DESCRIPTION	DRFT	CHKD
DISTRIBUTION CODES		DRY	KOK HOE LEE	DATE	MFG	DATE
		CHKD	YUNLONG QIAO	MAR 30, 2015		
DIVISION	DIVISION CODE	APPR	SAJJIT BANDHU	DATE		
				MAR 30, 2015		
DO NOT SCALE DRAWING	SCALE 1/4	TOLERANCES EXCEPT AS NOTED				
THIRD ANGLE PROJECTION		INCHES				
		MILLIMETERS				
INTERPRET PER ASME Y14.5 - 1994		0 ± 1				
MAX SURFACE ROUGHNESS		.0 ± .5				
125	<input type="checkbox"/> ALL SURFACES	.00 ± .05				
	<input checked="" type="checkbox"/> MARKED ONLY	.000 ± .005				
		ANGLES ± 1°				
A 0060751		MAR 30, 2015		KHL	SB	
© 3M COPYRIGHT 2015 This document and the information it contains are 3M property and may not be reproduced or further distributed without 3M permission, or used or disclosed other than for 3M authorized purposes. All rights reserved.						
TITLE: INTERNAL MINISAS HD CABLE ASSEMBLY (SHORTENED CONNECTOR)						
CAGE NUMBER	SIZE	DRAWING NO.	REV.			
D		78-5100-2658-2	A			
MODEL	DET		SHT 1 OF 2			

3M™ HIGH ROUTABILITY INTERNAL MINISAS HD CABLE ASSEMBLIES, 8U SERIES

WIRING DIAGRAMS

3M PART NUMBERING SCHEME

8US4 - XXX 29 - 00 - X.XX

"LENGTH" IN METERS

"LENGTH" TOLERANCE

±10MM FOR "LENGTH" 0.5 METER MAX
±15MM FOR "LENGTH" MORE THAN 0.5 METER

TABLE 1: DESCRIPTION FOR "XXX"

XXX	PINOUT	BRAIDED SLEEVE
AA1	STD MINISAS HD 4i WITH SIDEBANDS (SEE TABLE 2)	YES
AA2	STD MINISAS HD 4i WITH SIDEBANDS (SEE TABLE 2)	NO
CB1	MINISAS HD 4i WITHOUT SIDEBANDS (SEE TABLE 3)	YES
CB2	MINISAS HD 4i WITHOUT SIDEBANDS (SEE TABLE 3)	NO

NOTES

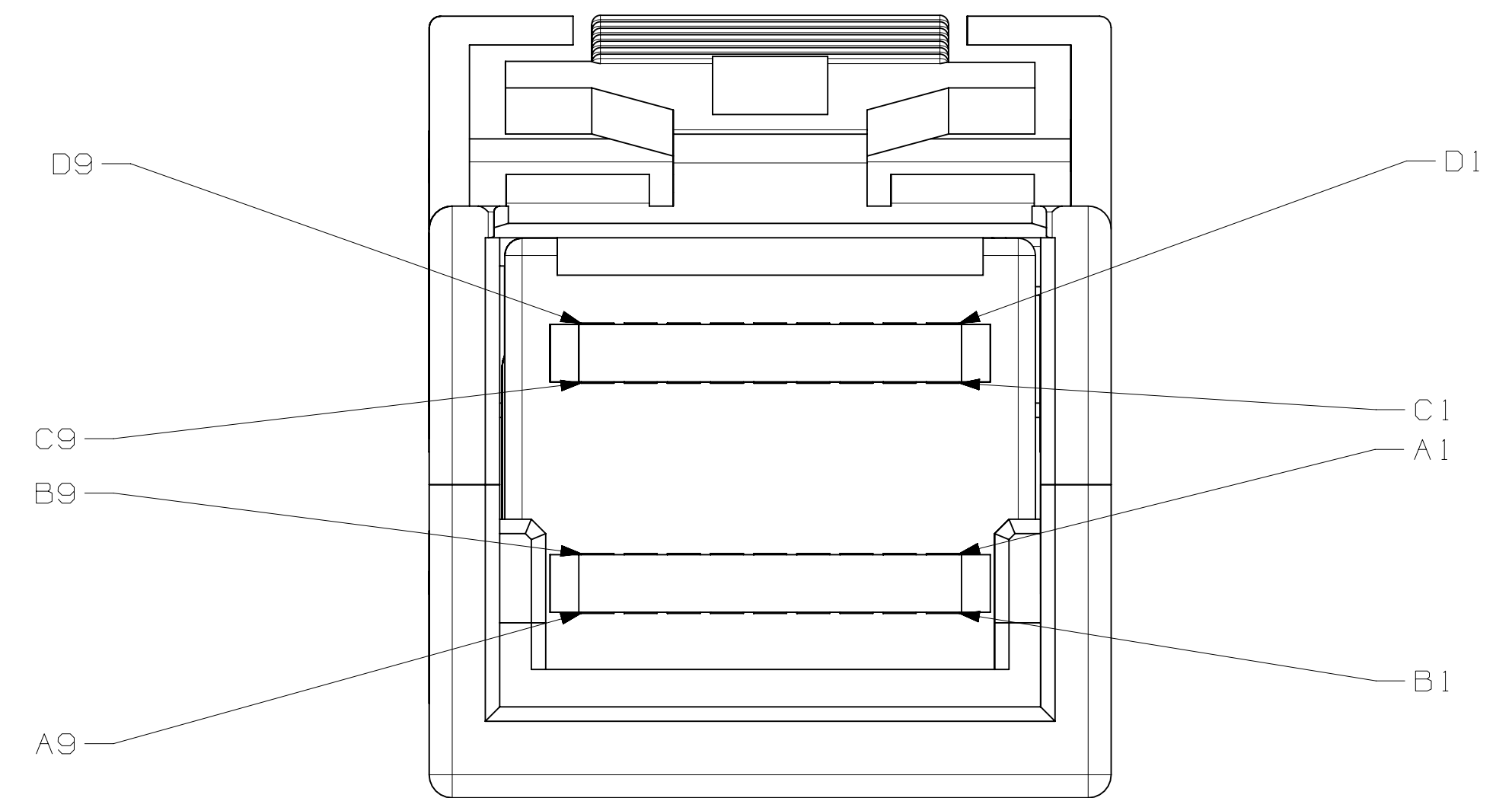
- MATERIALS:
 - HOUSING: THERMOPLASTIC
 - INNERMOULD: THERMOPLASTIC
 - 3M™ TWIN AXIAL CABLE:
 - CONDUCTORS: SOLID COPPER, Ag-PLATED SIGNALS
 - INSULATOR: POLYOLEFIN
 - SHIELDING: ALUMINIUM LAYER
 - SIDEBAND CABLE:
 - CONDUCTORS: SOLID COPPER
 - INSULATOR: THERMOPLASTIC ELASTOMER
 - PCB: LOW DIELECTRIC CONSTANT MATERIAL FOR HIGH SPEED APPLICATION
 - BRAIDED SLEEVE: THERMOPLASTIC
- ROHS COMPLIANT. SEE REGULATORY INFORMATION APPENDIX IN "ROHS COMPLIANCE" SECTION AT WWW.3M.COM/INTERCONNECT (E1 & C1 APPLY)
- UNLESS OTHERWISE NOTED, REFERENCES TO INDUSTRY SPECIFICATIONS ARE INTENDED TO INDICATE SUBSTANTIAL COMPLIANCE TO THE MATERIAL ELEMENTS OF THE SPECIFICATION. SUCH REFERENCES SHOULD NOT BE CONSTRUED AS A GUARANTEE OF COMPLIANCE TO ALL REQUIREMENTS IN A GIVEN SPECIFICATION.
- PRODUCT SPECIFICATION: 78-5102-0200-1

WIRING DIAGRAM 1				
P1		P2		
POSITION	SYMBOL	SYMBOL	POSITION	
D9	GROUND	---	GROUND	B9
D8	Tx2-	→→	Rx2-	B8
D7	Tx2+	→→	Rx2+	B7
D6	GROUND	---	GROUND	B6
D5	Tx0-	→→	Rx0-	B5
D4	Tx0+	→→	Rx0+	B4
D3	GROUND	---	GROUND	B3
D2	SIDEBAND 6	↔↔	SIDEBAND 5	D1
D1	SIDEBAND 5	↔↔	SIDEBAND 6	D2
C1	SIDEBAND 4	↔↔	SIDEBAND 2	C2
C2	SIDEBAND 2	↔↔	SIDEBAND 4	C1
C3	GROUND	---	GROUND	A3
C4	Tx1+	→→	Rx1+	A4
C5	Tx1-	→→	Rx1-	A5
C6	GROUND	---	GROUND	A6
C7	Tx3+	→→	Rx3+	A7
C8	Tx3-	→→	Rx3-	A8
C9	GROUND	---	GROUND	A9
B9	GROUND	---	GROUND	D9
B8	Rx2-	←←	Tx2-	D8
B7	Rx2+	←←	Tx2+	D7
B6	GROUND	---	GROUND	D6
B5	Rx0-	←←	Tx0-	D5
B4	Rx0+	←←	Tx0+	D4
B3	GROUND	---	GROUND	D3
B2	SIDEBAND 1	↔↔	SIDEBAND 3	B1
B1	SIDEBAND 3	↔↔	SIDEBAND 1	B2
A1	SIDEBAND 7	↔↔	SIDEBAND 0	A2
A2	SIDEBAND 0	↔↔	SIDEBAND 7	A1
A3	GROUND	---	GROUND	C3
A4	Rx1+	←←	Tx1+	C4
A5	Rx1-	←←	Tx1-	C5
A6	GROUND	---	GROUND	C6
A7	Rx3+	←←	Tx3+	C7
A8	Rx3-	←←	Tx3-	C8
A9	GROUND	---	GROUND	C9

TABLE 2: WITH SIDEBANDS

WIRING DIAGRAM 2				
P1		P2		
POSITION	SYMBOL	SYMBOL	POSITION	
D9	GROUND	---	GROUND	B9
D8	Tx2-	→→	Rx2-	B8
D7	Tx2+	→→	Rx2+	B7
D6	GROUND	---	GROUND	B6
D5	Tx0-	→→	Rx0-	B5
D4	Tx0+	→→	Rx0+	B4
D3	GROUND	---	GROUND	B3
C3	GROUND	---	GROUND	A3
C4	Tx1+	→→	Rx1+	A4
C5	Tx1-	→→	Rx1-	A5
C6	GROUND	---	GROUND	A6
C7	Tx3+	→→	Rx3+	A7
C8	Tx3-	→→	Rx3-	A8
C9	GROUND	---	GROUND	A9
B9	GROUND	---	GROUND	D9
B8	Rx2-	←←	Tx2-	D8
B7	Rx2+	←←	Tx2+	D7
B6	GROUND	---	GROUND	D6
B5	Rx0-	←←	Tx0-	D5
B4	Rx0+	←←	Tx0+	D4
B3	GROUND	---	GROUND	D3
A3	GROUND	---	GROUND	C3
A4	Rx1+	←←	Tx1+	C4
A5	Rx1-	←←	Tx1-	C5
A6	GROUND	---	GROUND	C6
A7	Rx3+	←←	Tx3+	C7
A8	Rx3-	←←	Tx3-	C8
A9	GROUND	---	GROUND	C9

TABLE 3: WITHOUT SIDEBANDS



DESIGN REFERENCE	NEXT ASSEMBLY	REV	ECO	ISSUE DATE AND DESCRIPTION	DRFT	CHKD
DISTRIBUTION CODES		DRY	KOK HOE LEE	MAR 30, 2015	MFG	DATE
		CHKD	YUNLONG QIAO	MAR 30, 2015	APPRV	DATE
					SAJJIT BANDHU	MAR 30, 2015
DIVISION		DISTRIBUTION CODE		© 3M COPYR [GHT] 2015 This document and the information it contains are 3M property and may not be reproduced or further distributed without 3M permission, or used or disclosed other than for 3M authorized purposes. All rights reserved.		
DO NOT SCALE DRAWING	SCALE 1/4	TOLERANCES EXCEPT AS NOTED		INCHES .00 ± .000 ± .0000 ±		
THIRD ANGLE PROJECTION	INTERPRET PER ASME Y14.5 - 1994	MILLIMETERS 0 ± 1		TITLE INTERNAL MINISAS HD CABLE ASSEMBLY (SHORTENED CONNECTOR)		
MAX SURFACE ROUGHNESS 125	ALL SURFACES MARKED ONLY	ANGLER ± 1°		CAGE NUMBER D 78-5100-2658-2 MODEL		
				A 0060751 MAR 30, 2015 KHL SB		

78-5100-2658-2
DRAWING NUMBER

A

SHT 2 OF 2