



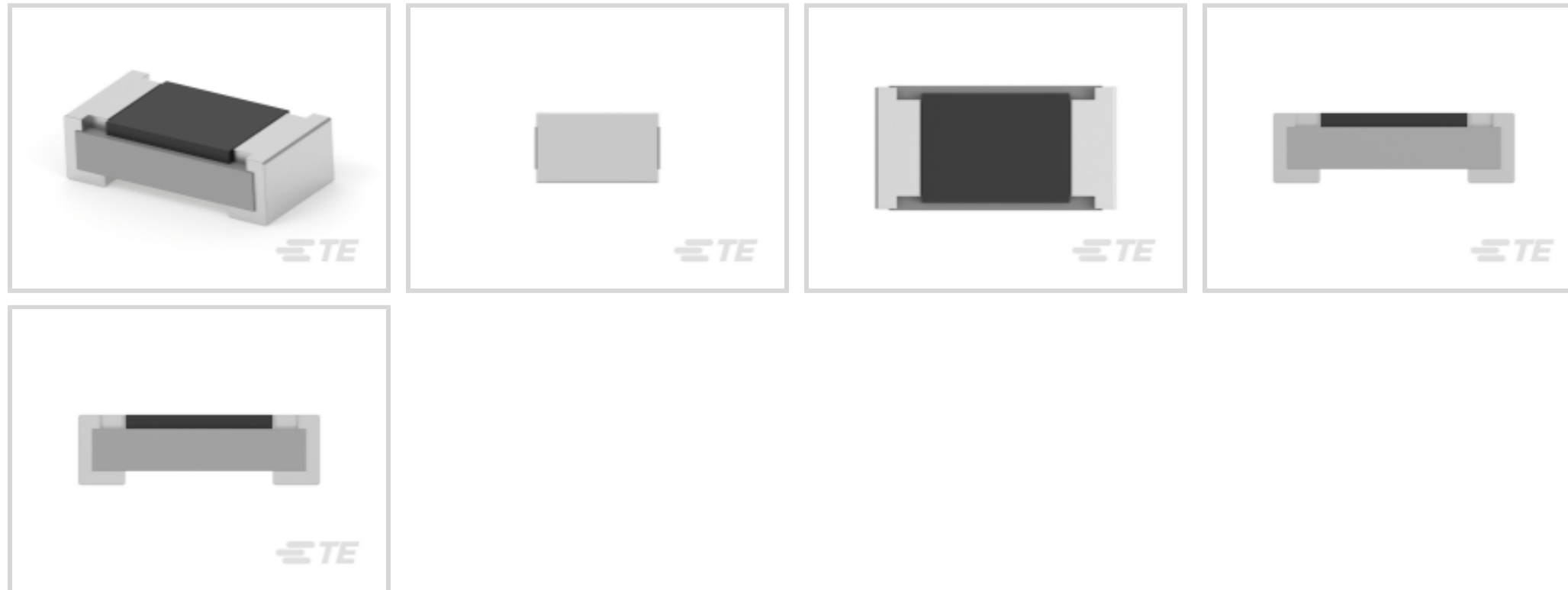
Neohm | Neohm CPF

TE Internal #: 4-2176237-6

Precision Resistor, Thin Film, 0603, .0625 W, 15K ohm, .1 %, ±25 ppm/°C, Solder, 2 Termination, Height .45 mm [.018 in], Neohm CPF

[View on TE.com >](#)

Passive Components > Resistors > Surface Mount Resistors



Resistor Type: **Precision Resistor**

Element Type: **Thin Film**

Package Size Code: **0603**

Power Rating: **.0625 W**

Resistance Value: **15K Ω**

Features

Product Type Features

Resistor Type	Precision Resistor
Element Type	Thin Film
Package Size Code	0603

Configuration Features

Number of Resistors	1
---------------------	---

Electrical Characteristics

Operating Voltage	50 V
Power Rating	.0625 W
Resistance Value	15K Ω
Resistance Class	1kΩ – 1MΩ
Passive Component Tolerance	.1 %

Termination Features

Surface Mount Resistor Termination Type	Solder
Number of Terminations	2



Dimensions

Product Height	.45 mm[.018 in]
Product Length	1.55 mm[.061 in]
Product Width	.8 mm[.031 in]

Usage Conditions

Operating Temperature Range	-55 – 155 °C
Temperature Coefficient	±25 ppm/°C

Industry Standards

Moisture Sensitivity Level	1
----------------------------	---

Packaging Features

Packaging Method	Taped & Reeled
------------------	----------------

Product Compliance

[For compliance documentation, visit the product page on TE.com>](#)

EU RoHS Directive 2011/65/EU	Compliant
EU ELV Directive 2000/53/EC	Compliant
China RoHS 2 Directive MIIT Order No 32, 2016	No Restricted Materials Above Threshold
EU REACH Regulation (EC) No. 1907/2006	Current ECHA Candidate List: JUNE 2024 (241) Candidate List Declared Against: JUNE 2024 (241) Does not contain REACH SVHC
Halogen Content	BFR/CFR/PVC Free, but Br/Cl >900 ppm in other sources.
Solder Process Capability	Reflow solder capable to 260°C

Product Compliance Disclaimer

This information is provided based on reasonable inquiry of our suppliers and represents our current actual knowledge based on the information they provided. This information is subject to change. The part numbers that TE has identified as EU RoHS compliant have a maximum concentration of 0.1% by weight in homogenous materials for lead, hexavalent chromium, mercury, PBB, PBDE, DBP, BBP, DEHP, DIBP, and 0.01% for cadmium, or qualify for an exemption to these limits as defined in the Annexes of Directive 2011/65/EU (RoHS2). Finished electrical and electronic equipment products will be CE marked as required by Directive 2011/65/EU. Components may not be CE marked. Additionally, the part numbers that TE has identified as EU ELV compliant have a maximum concentration of 0.1% by weight in homogenous materials for lead, hexavalent chromium, and mercury, and 0.01% for cadmium, or qualify for an exemption to these limits as defined in the Annexes of Directive 2000/53/EC (ELV). Regarding the REACH Regulation, the information TE provides on SVHC in articles for this part number is based on the latest European Chemicals Agency (ECHA) 'Guidance on requirements for substances in articles' posted at this URL: <https://echa.europa.eu/guidance-documents/guidance-on-reach>




Compatible Parts



TE Part # 4-2176237-2
CPF A 0603 10K 0.1% 25PPM 5K RL

Also in the Series | Neohm CPF

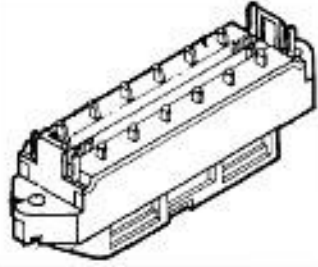


Surface Mount Resistors(5842)

Customers Also Bought



TE Part #5787170-4
40 50SR R/A RCPT ASSY,RDSN L/F



TE Part #554088-1
RCPT ASSY,24 POS,PANEL MTG,LPF



TE Part #7-1879215-5
CPF 0402 27K4 0.1% 25PPM 1K RL



TE Part #1676362-2
RN 0805 4K87 0.1% 10PPM 1KRL



TE Part #4-2176236-2
CPF A 0402 56K 0.1% 25PPM 5K RL



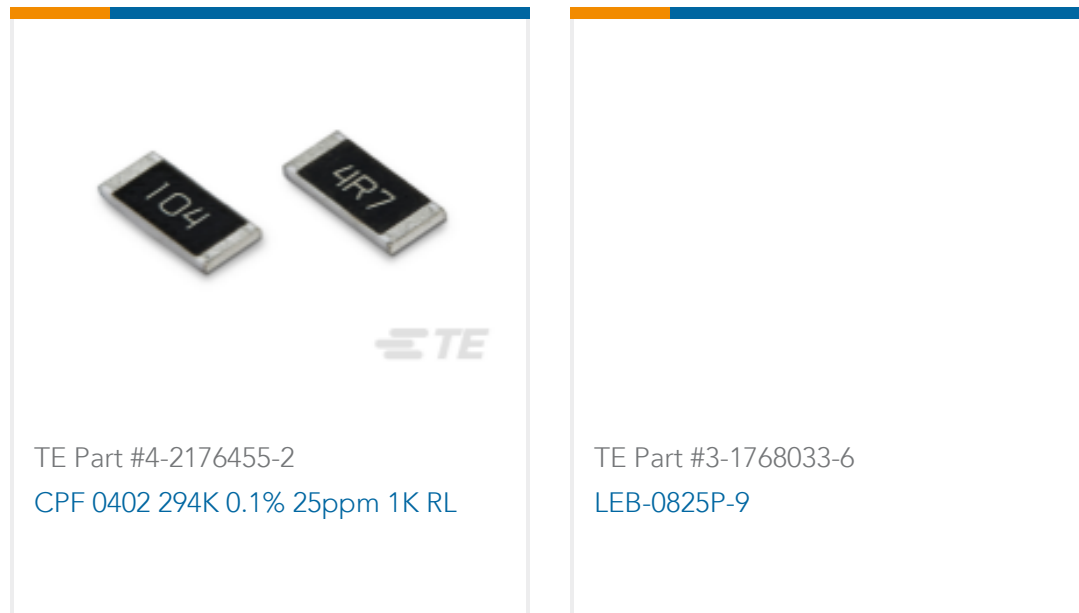
TE Part #2-2176308-3
RP 1E 0.1W 226K 0.1% 25PPM 5K RL



TE Part #3-2176307-8
RP 1E 0.1W 30K1 0.1% 25PPM 5K RL



TE Part #1-2176362-8
RQ 0402 60R4 0.1% 10PPM 5K RL



Documents

CAD Files

[3D PDF](#)

3D

Customer View Model

[ENG_CVM_CVM_4-2176237-6_A.2d_dxf.zip](#)

English

Customer View Model

[ENG_CVM_CVM_4-2176237-6_A.3d_igs.zip](#)

English

Customer View Model

[ENG_CVM_CVM_4-2176237-6_A.3d_stp.zip](#)

English

By downloading the CAD file I accept and agree to the [Terms and Conditions](#) of use.

Datasheets & Catalog Pages

[Automotive Grade Thin Film Chip Resistor - Type CPF-A Series](#)

English