

WHITE WATERPROOF RING

NOTES

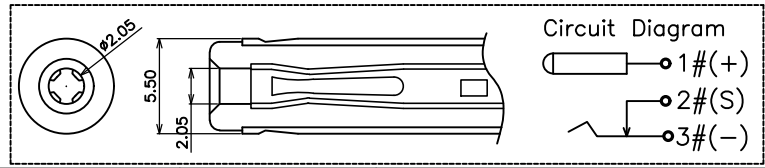
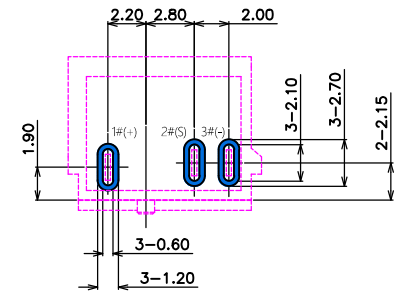
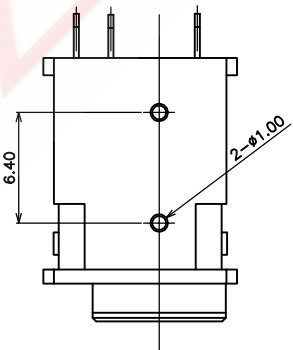
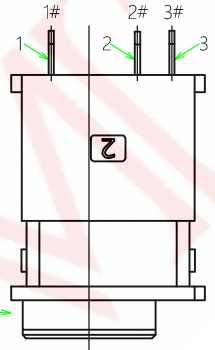
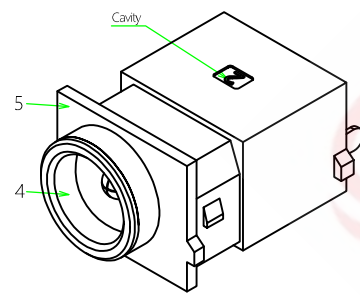
- 1.CURRENT RATING: 24V & 5A MAX.
- 2.CONTACT RESISTANCE: 50mΩ MAX.
- 3.INSULATION RESISTANCE: 100MΩ MIN.
- 4.DIELECTRIC WITHSTANDING: 500V AC MIN.
- 5.DURABILITY: 5000 CYCLES MIN.
- 6.CONNECTOR MATING FORCES: 3~35N.
- 7.CONNECTOR UNMATING FORCES: 3~35N.
- 8.OPERATING TEMPERATURE: -25°C TO +85°C.
- 9.WATER PROOFNESS: THIS PRODUCT IS BASED ON IPX7.

Not to install the waterproof ring shipment

9FL3152ATFA

- MODEL DEFINITION
- Mould Number:01
 - Needle diameter:2.0
 - Fixing Method:Fixing Column
 - Interface Method:Convention Extended Opening
 - Overall Length:15.25mm
 - Pin Position:3PIN
 - Mounting Method:DIP
 - Product Series: DC Jack IPX7

8	WATERPROOF RING	1	SILICONE; WHITE
7	GLUE	1	EPOXY; BLACK
6	BACK COVER	1	HIGH TEMPERATURE; BLACK
5	HOUSING	1	HIGH TEMPERATURE; BLACK
4	INNER BUSING	1	COPPER ALLOY; NICKEL PLATING
3	TERMINAL 3#	1	COPPER ALLOY; NICKEL UNDERPLATING OVERALL, Au PLATING ON SOLDER AREA
2	TERMINAL 2#	1	COPPER ALLOY; NICKEL UNDERPLATING OVERALL, Au PLATING ON THE WHOLE
1	TERMINAL 1#	1	COPPER ALLOY; NICKEL UNDERPLATING OVERALL, Au PLATING ON SOLDER AREA
ITEM	NAME	Q'TY	DESCRIPTION



DESIGN	WANGGUIFA	2018.06.12	≥2~5<	±0.25	
CHECKED	ZHENGUILAN	2018.06.12	≥0~2<	±0.15	
APPROVED	LILIANJIANG	2018.06.14	≥5	±0.35	

FIRST VIEW

SCALE 1:1 UNIT mm

SAMZCO COMPONENTS
Electronic switch and connector manufacturer

The copyright belongs to samzo parts [China] Co., Ltd. please use the material after samzo parts agree to authorize. The final right of interpretation belongs to samzo parts. WWW.KKK-JP.COM

TITLE: DC JACK LC DIP 3PIN
DWG NO: 9FL3152-P0803
PART NO: 9FL3152100803
MODEL NO: 9FL3152ATFA
NAME: DC JACK