



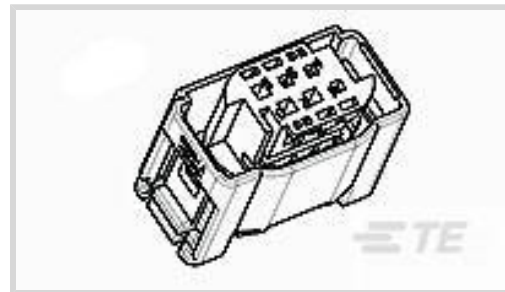
MQS

TE Internal #: 2-967616-1

Housing for Female Terminals, Wire-to-Wire, 6 Position, 4 mm [.157 in] Centerline, Sealable, Gray, Wire & Cable, Signal, Cable Mount (Free-Hanging)

[View on TE.com >](#)

Connectors > Automotive Connectors > Automotive Housings > MQS, CONNECTOR HOUSING



Connector System: **Wire-to-Wire**

Number of Positions: **6**

Connector & Housing Type: **Housing for Female Terminals**

Centerline (Pitch): **4 mm [.157 in]**

Sealable: **Yes**

[All MQS, CONNECTOR HOUSING \(360\)](#)

Features

Product Type Features

Mixed & Hybrid Connector	No
Connector Shape	Rectangular
Connector System	Wire-to-Wire
Connector & Housing Type	Housing for Female Terminals
Sealable	Yes
Connector & Contact Terminates To	Wire & Cable
Primary Locking Feature	On the Terminal

Configuration Features

Number of Positions	6
Number of Rows	2

Electrical Characteristics

Operating Voltage	50 VDC
Nominal Voltage Architecture	12 V

Body Features

Cable Exit Angle	180°
Primary Product Color	Gray
Connector & Keying Code	B



Contact Features

Contact Size	.63mm
Contact Type	Socket
Mating Tab Width	.63 mm[.025 in]
Contact Current Rating (Max)	7.5 A

Mechanical Attachment

Terminal Position Assurance	Yes
Strain Relief	Without
Mating Alignment Type	Keyed
Mating Alignment	With
Connector Mounting Type	Cable Mount (Free-Hanging)

Housing Features

Housing Material	PBT GF
Centerline (Pitch)	4 mm[.157 in]

Dimensions

Connector Height	24 mm[.945 in]
Product Width	17 mm[.669 in]
Row-to-Row Spacing	6 mm[.236 in]

Usage Conditions

Operating Temperature (Max)	120 °C[248 °F]
Operating Temperature Range	-40 – 120 °C[-40 – 248 °F]

Operation/Application

Circuit Application	Signal
---------------------	--------

Packaging Features

Packaging Quantity	1100
Packaging Method	Bag

Other

Serviceable	Yes
Connector Position Assurance Capable	No

Product Compliance

For compliance documentation, visit the product page on [TE.com](https://www.te.com)>



EU RoHS Directive 2011/65/EU	Compliant
EU ELV Directive 2000/53/EC	Compliant
China RoHS 2 Directive MIIT Order No 32, 2016	No Restricted Materials Above Threshold
EU REACH Regulation (EC) No. 1907/2006	Current ECHA Candidate List: JUNE 2024 (241) Candidate List Declared Against: JUNE 2024 (241) Does not contain REACH SVHC
Halogen Content	BFR/CFR/PVC Free, but Br/Cl >900 ppm in other sources.
Solder Process Capability	Not applicable for solder process capability

Product Compliance Disclaimer

This information is provided based on reasonable inquiry of our suppliers and represents our current actual knowledge based on the information they provided. This information is subject to change. The part numbers that TE has identified as EU RoHS compliant have a maximum concentration of 0.1% by weight in homogenous materials for lead, hexavalent chromium, mercury, PBB, PBDE, DBP, BBP, DEHP, DIBP, and 0.01% for cadmium, or qualify for an exemption to these limits as defined in the Annexes of Directive 2011/65/EU (RoHS2). Finished electrical and electronic equipment products will be CE marked as required by Directive 2011/65/EU. Components may not be CE marked. Additionally, the part numbers that TE has identified as EU ELV compliant have a maximum concentration of 0.1% by weight in homogenous materials for lead, hexavalent chromium, and mercury, and 0.01% for cadmium, or qualify for an exemption to these limits as defined in the Annexes of Directive 2000/53/EC (ELV). Regarding the REACH Regulation, the information TE provides on SVHC in articles for this part number is based on the latest European Chemicals Agency (ECHA) 'Guidance on requirements for substances in articles' posted at this URL: <https://echa.europa.eu/guidance-documents/guidance-on-reach>

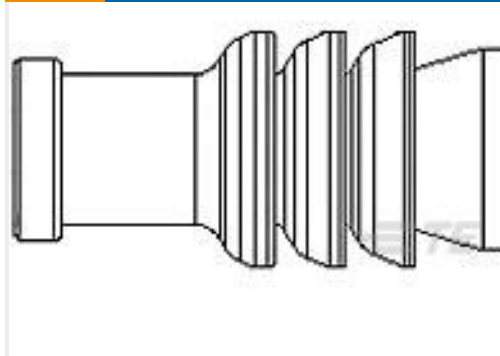
Compatible Parts



TE Part # 1-967587-3
6POS MQS TAB SEALED COD A



TE Part # 967056-1
MQS BLINDSTOPFEN4MM



TE Part # 967067-1
MQS SGL WIRE SEAL



TE Part # 967067-2
MQS EINZELLEITDICHT




TE Part # CAT-M8793-T273
MQS, RECEPTACLE AND TAB



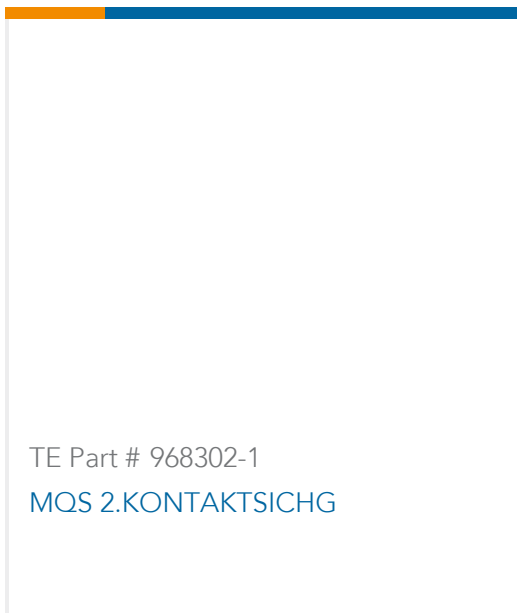
TE Part # 1241637-1
6pos MQS .63 header 90deg



TE Part # 1897096-2
WIRE COVER FOR MQS SLD 6P CONN'R

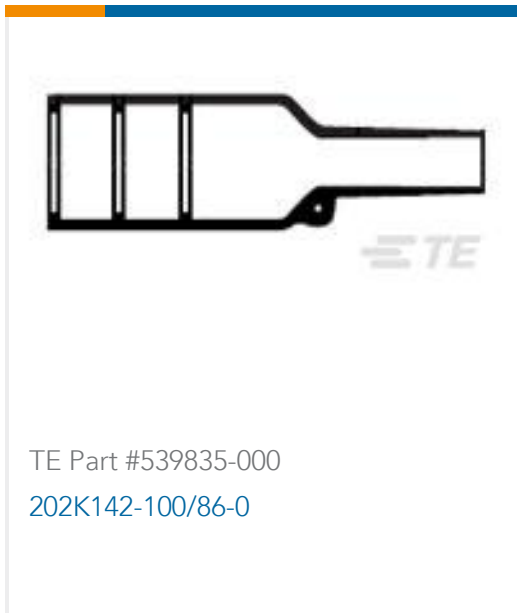


TE Part # 2-968304-1
MQS SOCK HSG SWS 6P



TE Part # 968302-1
MQS 2.KONTAKTSICHG

Customers Also Bought



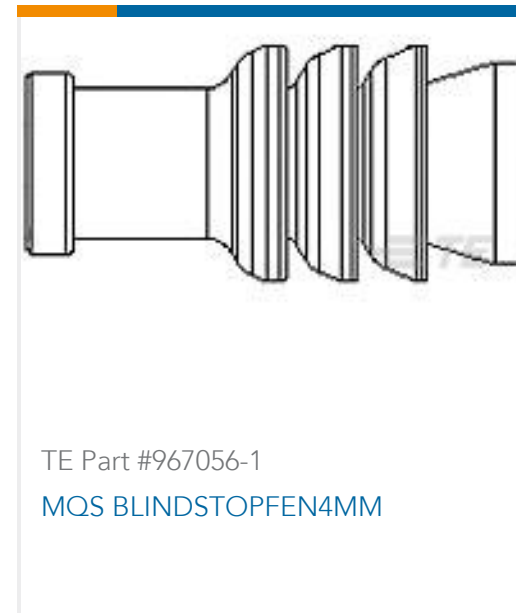
TE Part #539835-000
202K142-100/86-0



TE Part #4-338313-2
9POS.HD-20 REC.ASSY



TE Part #DTM04-6P-EE04
REC, 6P, BLK, N, HIGH TEMP



TE Part #967056-1
MQS BLINDSTOPFEN4MM



TE Part #2-967640-1
4POS MQS REC COD B



TE Part #1601140-1
153-001-000=LEADLOK2,SMZ



TE Part #928931-2
FF 110 (2.8 X 0.8 MM) TAB PTP
CUZ30



TE Part #344079-1
RECPT. HSG. ASSY. 8 WAY



TE Part #1601046-1
131-101-000=WIRE2WIRE,STD,SMZ



TE Part #HSA202N00420100000
723 HTEC PLUG, SPEEDTEC

Documents

Product Drawings

[6POS MQS REC SEALED COD B](#)

English

CAD Files

[Customer View Model](#)

[ENG_CVM_CVM_2-967616-1_F.2d_dxf.zip](#)

English

[3D PDF](#)



3D

Customer View Model

[ENG_CVM_CVM_2-967616-1_F.3d_igs.zip](#)

English

Customer View Model

[ENG_CVM_CVM_2-967616-1_F.3d_stp.zip](#)

English

By downloading the CAD file I accept and agree to the [Terms and Conditions](#) of use.

Product Specifications

[CONNEXIONS ETANCHES 2,3,4,6,8 ET 12 POSITIONS Micro Quadlock System Micro Twinleaf](#)

English

[Application Specification](#)

English

[SHROUDED CONNECTION, 6 POS.](#)

English

[Application Specification](#)

English

[Application Specification](#)

English