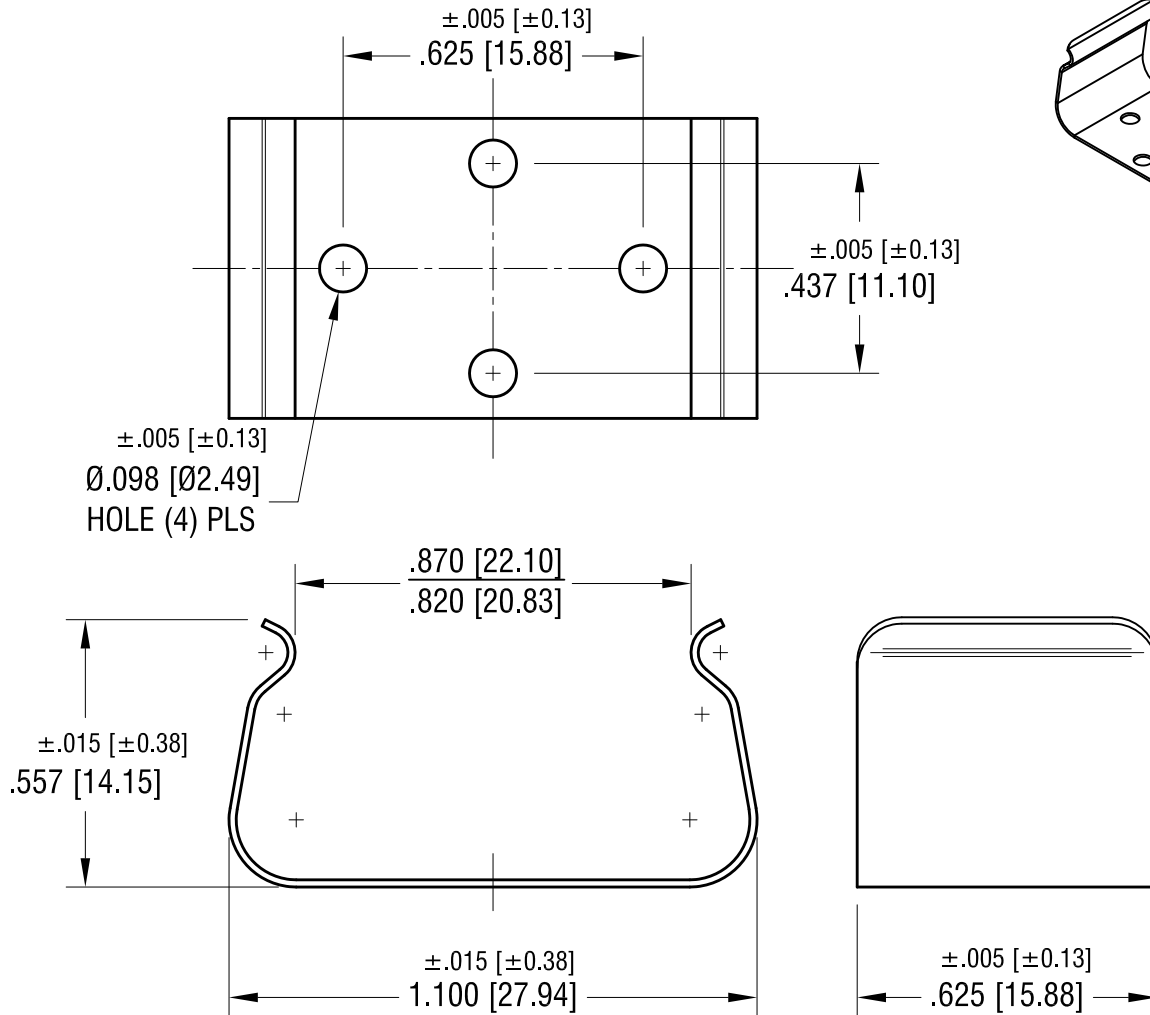
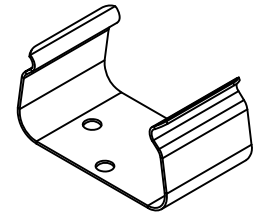


THIS DOCUMENT IS THE PROPERTY OF KEYSTONE ELECTRONICS CORP. AND SHALL NOT BE REPRODUCED, DISTRIBUTED OR USED AS A BASIS FOR MANUFACTURE WITHOUT PRIOR WRITTEN PERMISSION FROM KEYSTONE ELECTRONICS CORP.

ACTUAL SIZE



NOTE:

1. HEAT TREAT TO SPRING TEMPER

KEYSTONE ELECTRONICS CORP.

www.keyelco.com • NEW HYDE PARK, NY 11040 • Tel (516) 328-7500

PART NAME

BATTERY CLIP, (2) 'AA'

MATERIAL

.015 [0.38] TH'K ANNEALED SPRING STEEL

FINISH

NICKEL PLATE

DRN BY BOONE

DATE 10.13.81

APP'D RH

SCALE 2.5X

TOLERANCES INCH [MM]
 DECIMAL $\pm .010 [\pm 0.25]$
 ANGULAR $\pm 1^\circ$
 UNLESS OTHERWISE SPECIFIED

CODE
 C

DWG NO.

69

8.21.23	CHANGE AS PER ECN 23-140	D
7.18.00	CHANGE AS PER ECN 00-066	C
DATE	DESCRIPTION	REV.