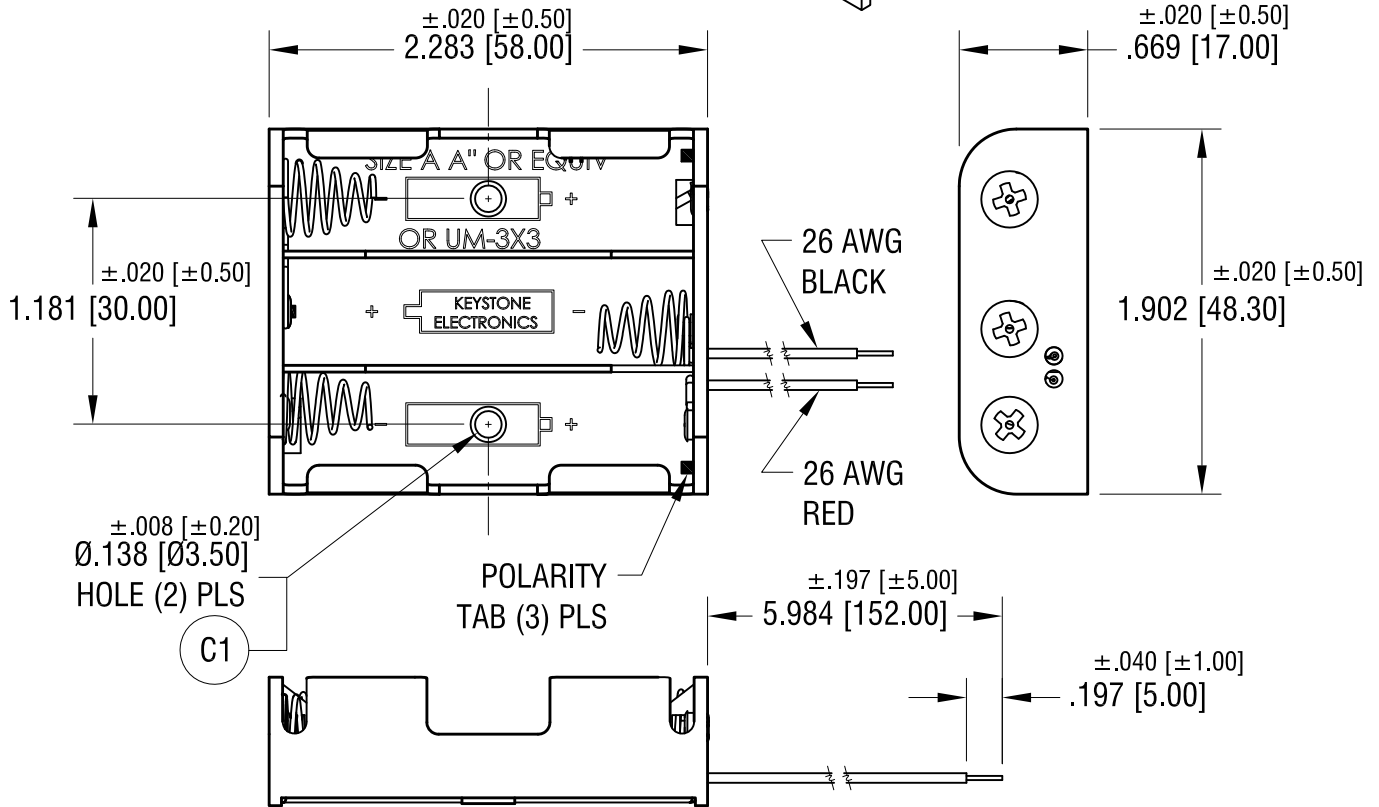
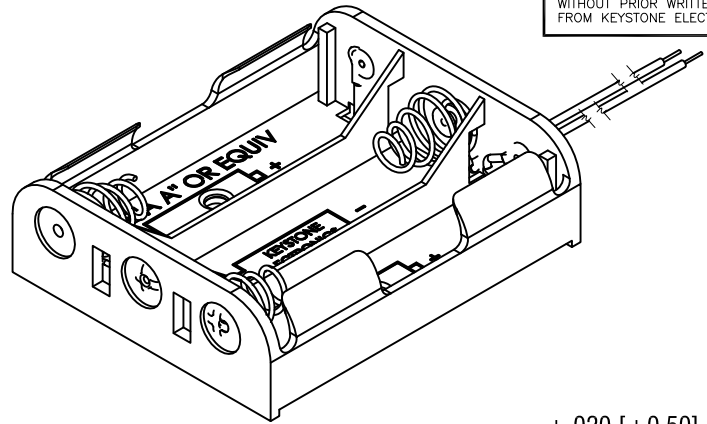
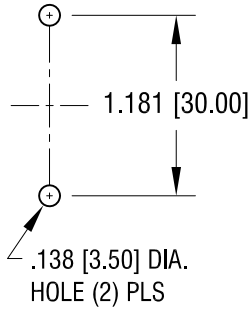


THIS DOCUMENT IS THE PROPERTY OF KEYSTONE ELECTRONICS CORP. AND SHALL NOT BE REPRODUCED, DISTRIBUTED OR USED AS A BASIS FOR MANUFACTURE WITHOUT PRIOR WRITTEN PERMISSION FROM KEYSTONE ELECTRONICS CORP.

MOUNTING DETAIL



NOTE:

1. HOLDER: MAT'L: POLYPROPYLENE
2. SPRING: MAT'L: MUSIC WIRE, .027 [0.70] DIA.
FINISH: NICKEL PLATE

| | | |
|----------|---|------|
| 6.13.22 | (C1) WAS .130 [3.30]±.005 [±0.13] CHANGE AS PER ECN 21-090 | C |
| 3.09.22 | ADD POLARITY TAB CHANGE AS PER ECN 22-052 | B |
| 11.15.99 | CHANGE AS PER ECN 99-086 | A |
| DATE | DESCRIPTION | REV. |

| | | | |
|--|---------------|-------------------------|-------------|
| KEYSTONE ELECTRONICS CORP. | | | |
| www.keyelco.com • NEW HYDE PARK, NY 11040 • Tel (516) 328-7500 | | | |
| PART NAME | | BATTERY HOLDER (3) 'AA' | |
| MATERIAL | | AS NOTED | |
| FINISH | | DRN BY | DATE |
| AS NOTED | | BOONE | 10.26.95 |
| | | APP'D | SCALE |
| | | RH | 1X |
| TOLERANCES | INCH [MM] | CODE | DWG NO. |
| DECIMAL | ±.015 [±0.38] | C | 2465 |
| ANGULAR | ± 1° | | |
| UNLESS OTHERWISE SPECIFIED | | | |