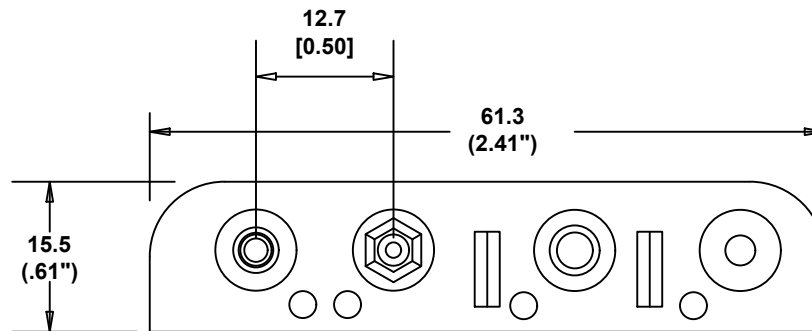
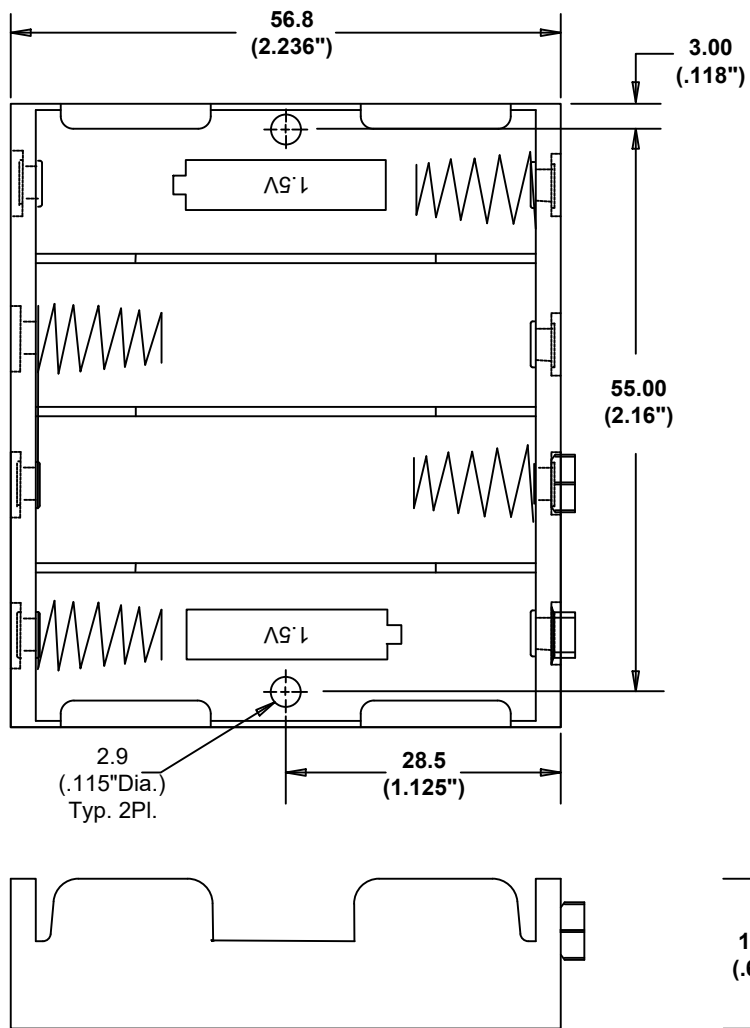



DATE	SYM	REVISION RECORD	AUTH	DR.	CK.
05/05/17	E	DIM. 56.8 WAS 57.2	T.B.	B.S.	
03/07/19	F	UPDATED TO "ROHS COMPLIANT"	T.B.	B.S.	



Note: Dimensions in mm. ( inches )

### SPECIFICATIONS :

Plastic material - polypropylene  
 Flammability Rating-UL94 HB, UL File No. E216959  
 Temperature Range: -10°C to +100°C  
 Springs - nickel plated spring steel  
 Rivets - Brass, nickel plated  
 9 Volts Snaps - Brass, nickel plated  
 Contact Resistance: Under 50m for +/- contacts per EIA-540J000  
 ROHS COMPLIANT

Tolerance (Except as noted)	 <b>Memory Protection Devices, Inc</b> 200 Broad Hollow Road, Farmingdale, New York 11735		
decimal ±.5 (.020)		Scale	Drawn By B.S.
Fractional ± .8 (.030)	Title FOUR "AA" CELL HOLDER WITH SNAP FASTENERS		
Angular ± 3°	Date 03/07/19	Drawing Number BC4AASF	
		Approved By T.B.	