



Position switch, 3SE5114 Metal enclosure 40 mm with twist lever adjustable-length with Grid hole EN 50041, 1 NO/1 NC quick action contacts with M12 connector, 5-pole, fixed with 2 LEDs, yellow/green, 24 V DC Pin assignment: Pin1=21, Pin2=22 Pin 3=13 + LED green, Pin 4=14 and LED yellow, Pin 5=ground LED

<b>product brand name</b>	SIRIUS
<b>product designation</b>	Mechanical position switches
<b>product type designation</b>	3SE5
<b>manufacturer's article number</b>	
• of the supplied basic switch	3SE5114-1CA00-0AF3
• of the supplied actuator head for position switches	3SE5000-0AH00
• of the supplied operating lever	3SE5000-0AA60
• of the supplied switching contacts	3SE5000-0CA00
suitability for use safety switch	Yes
<b>General technical data</b>	
product function positive opening	Yes
insulation voltage rated value	125 V
<b>degree of pollution</b>	class 3
<b>surge voltage resistance rated value</b>	0.8 kV
<b>protection class IP</b>	IP66/IP67
<b>shock resistance</b>	
• acc. to IEC 60068-2-27	30g / 11 ms
vibration resistance acc. to IEC 60068-2-6	0.35 mm/5g
mechanical service life (switching cycles) typical	15 000 000
<b>electrical endurance (switching cycles) with contactor 3RH11, 3RT1016, 3RT1017, 3RT1024, 3RT1025, 3RT1026 typical</b>	10 000 000
<b>Electrical operating cycles in one hour with contactor 3RH11, 3RT1016, 3RT1017, 3RT1024, 3RT1025, 3RT1026</b>	6 000
<b>thermal current</b>	4 A
<b>material of the enclosure of the switch head</b>	plastic
<b>reference code acc. to IEC 81346-2</b>	B
<b>continuous current of the C characteristic MCB</b>	1 A; for a short-circuit current smaller than 400 A
<b>continuous current of the quick DIAZED fuse link</b>	4 A; for a short-circuit current smaller than 400 A
<b>continuous current of the DIAZED fuse link gG</b>	4 A
<b>active principle</b>	mechanical
<b>repeat accuracy</b>	0.05 mm
<b>minimum actuating torque in directions of actuation</b>	0.25 N·m
<b>length of the sensor</b>	206 mm
<b>width of the sensor</b>	40 mm
<b>design of the switching contact</b>	mechanical
<b>number of NC contacts for auxiliary contacts</b>	1
<b>number of NO contacts for auxiliary contacts</b>	1

<b>operational current at DC-13</b> • at 24 V rated value	3 A
design of the interface for safety-related communication	without
<b>Enclosure</b>	
<b>design of the housing</b>	block, narrow
<b>material of the enclosure</b>	metal
<b>coating of the enclosure</b>	cathodic immersion coating
<b>design of the housing acc. to standard</b>	Yes
<b>Drive Head</b>	
<b>design of the actuating element</b>	Adjustable twist lever, adjustable-length metal lever with latching, plastic roller 19 mm
<b>standard-compliant actuator head</b>	EN 50041, design A
<b>shape of the switch head</b>	roller
<b>design of the switching function</b>	positive opening
<b>circuit principle</b>	snap-action contacts
number of switching contacts safety-related	1
<b>Connections/ Terminals</b>	
<b>type of electrical connection</b>	M12 plug, fixed
<b>type of connectable conductor cross-sections</b> • solid • finely stranded with core end processing • at AWG cables solid • at AWG cables stranded	1x (0.5 ... 1.5 mm <sup>2</sup> ), 2x (0.5 ... 0.75 mm <sup>2</sup> ) 1x (0.5 ... 1.5 mm <sup>2</sup> ), 2x (0.5 ... 0.75 mm <sup>2</sup> ) 1x (20 ... 16), 2x (20 ... 18) 1x (20 ... 16), 2x (20 ... 18)
<b>cable entry type</b>	M12 plug
<b>design of plug-in connection</b>	M12 plug, 5-pole: Pin 1 = terminal 21, Pin 2 = 22, Pin 3 = 13/LED green, Pin 4 = 14/LED yellow, Pin 5 = ground LED
<b>Communication/ Protocol</b>	
<b>design of the interface</b>	without
<b>Ambient conditions</b>	
<b>explosion protection category for dust</b>	none
<b>Supply voltage</b>	
type of voltage of the supply voltage of the optional LED display	DC
<b>supply voltage</b> • of LED	24 V
<b>Installation/ mounting/ dimensions</b>	
<b>mounting position</b>	any
<b>fastening method</b>	screw fixing
<b>Certificates/ approvals</b>	
<b>General Product Approval</b>	<b>Functional Safety/Safety of Machinery</b>



[Type Examination Certificate](#)

Declaration of Conformity

Test Certificates

other

[Miscellaneous](#)



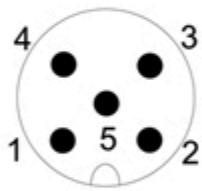
[Type Test Certificates/Test Report](#)

[Confirmation](#)

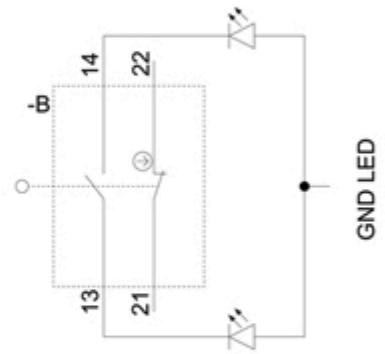
#### Further information

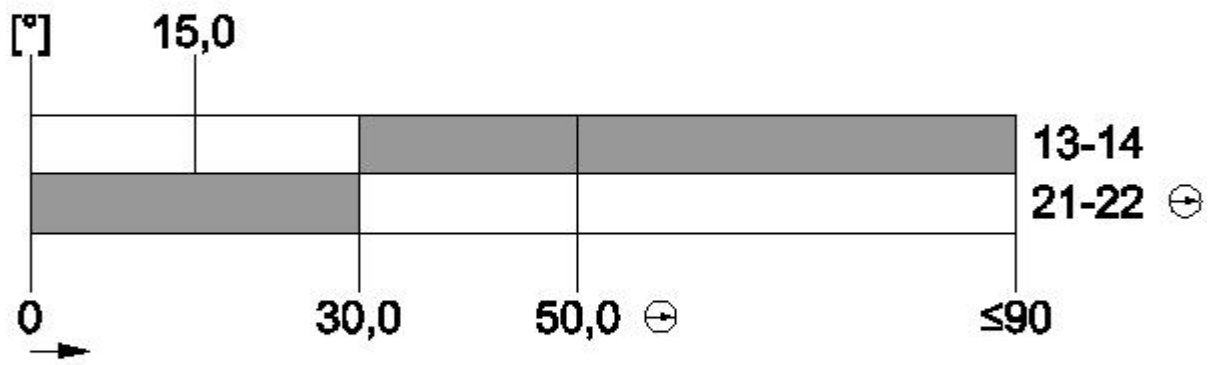
Information- and Downloadcenter (Catalogs, Brochures,...)





1	BN = Brown	→	21
2	WH = White	→	22
3	BU = Blue	→	13+LED-Green
4	BK = Black	→	14+LED-Yellow
5	GY = Grey	→	GND LED





last modified:

8/31/2020 