

OPTOTRONIC Cable Clamp

Driver accessories



Areas of application

- Downlights, flat luminaires
- Suitable for different cable types
- Suitable for indoor installations

Product benefits

- Simple and quick cable mounting
- Sufficient space for cable connection
- Cost-effective and space-saving solution (TL version)
- Free cable connection thanks to open flaps
- Immediate installation thanks to pre-assembled cable clamps

Product features

- Easy to install and flexible cable clamps
- Separate cable clamps for primary and secondary side
- Pre-fixed, captive screws
- Through-looping (TL version)

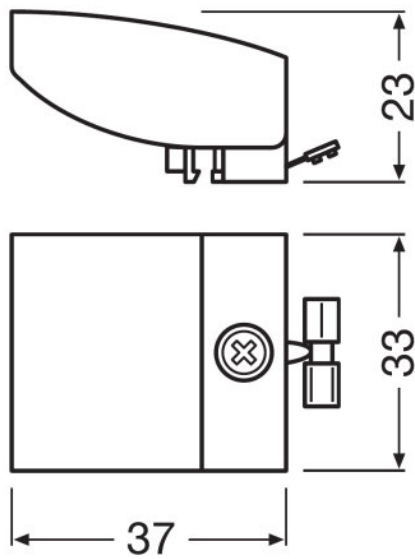
Product family datasheet

Technical data

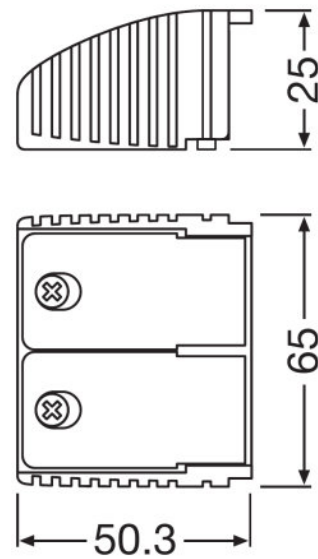
Dimensions & weight

Product description	Length	Width	Height	Product weight
OT CABLE CLAMP N-STYLE	37.0 mm	33.0 mm	23.0 mm	20.00 g
OT CABLE CLAMP A-STYLE	35.0 mm	65.0 mm	25.0 mm	29.00 g
OT CABLE CLAMP B-STYLE	49.2 mm	57.7 mm	29.5 mm	26.00 g
OT CABLE CLAMP D-STYLE	38.5 mm	33.0 mm	29.5 mm	28.60 g
OT CABLE CLAMP E-STYLE	38.0 mm	53.0 mm	25.0 mm	16.00 g
OT CABLE CLAMP F-STYLE	38.0 mm	53.0 mm	30.0 mm	16.00 g
OT CABLE CLAMP A-STYLE TL	90.0 mm	92.0 mm	25.0 mm	80.00 g
OT CABLE CLAMP B-STYLE TL	90.0 mm	92.0 mm	29.5 mm	80.00 g
OT CABLE CLAMP B-STYLE LP TL	50.0 mm	67.0 mm	22.0 mm	35.00 g

Product line drawing

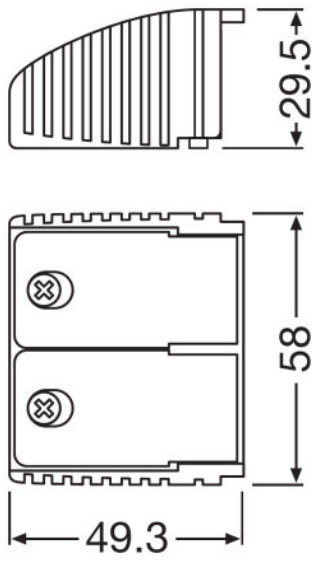


OT CABLE CLAMP N-STYLE

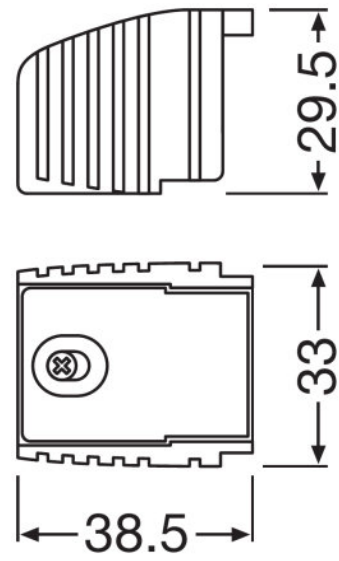


OT CABLE CLAMP A-STYLE

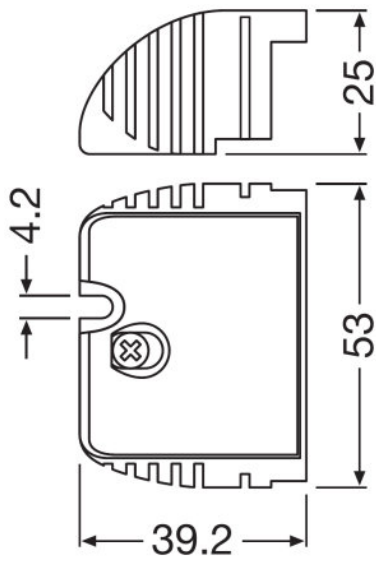
Product family datasheet



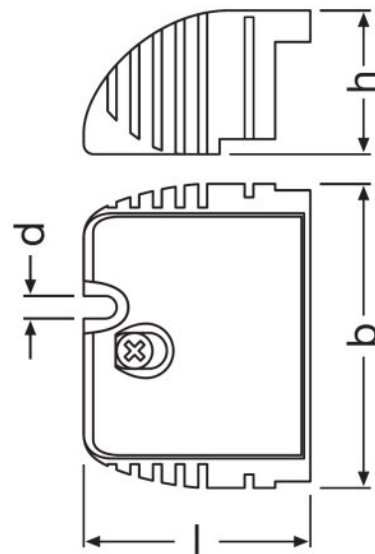
OT CABLE CLAMP B-STYLE



OT CABLE CLAMP D-STYLE

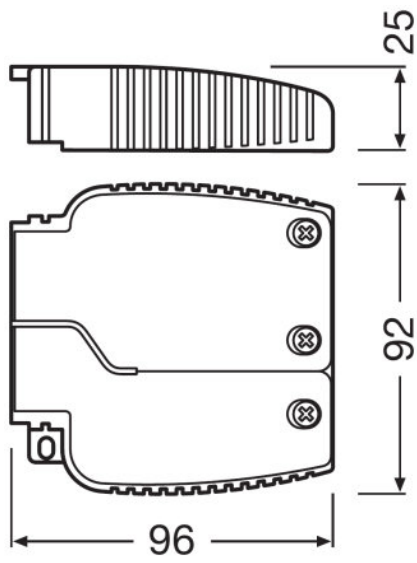


OT CABLE CLAMP E-STYLE

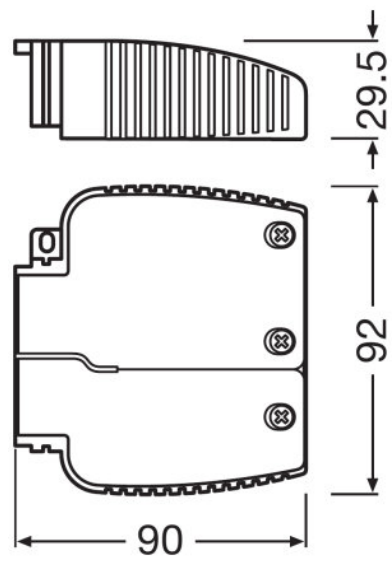


OT CABLE CLAMP F-STYLE

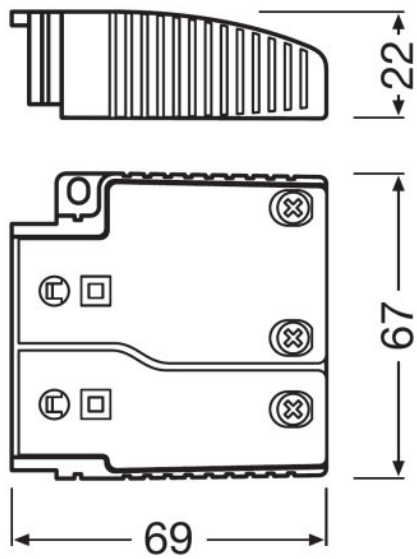
Product family datasheet



OT CABLE CLAMP A-STYLE TL



OT CABLE CLAMP B-STYLE TL



OT CABLE CLAMP B-STYLE LP TL

Product family datasheet

Capabilities

Product description	Suitable for through-wiring
OT CABLE CLAMP N-STYLE	No
OT CABLE CLAMP A-STYLE	No
OT CABLE CLAMP B-STYLE	No
OT CABLE CLAMP D-STYLE	No
OT CABLE CLAMP E-STYLE	No
OT CABLE CLAMP F-STYLE	No
OT CABLE CLAMP A-STYLE TL	Yes
OT CABLE CLAMP B-STYLE TL	Yes
OT CABLE CLAMP B-STYLE LP TL	Yes

Logistical data

Product description	Commodity code
OT CABLE CLAMP N-STYLE	392690979000
OT CABLE CLAMP A-STYLE	392690979000
OT CABLE CLAMP B-STYLE	392690979000
OT CABLE CLAMP D-STYLE	392690979000
OT CABLE CLAMP E-STYLE	392690979000
OT CABLE CLAMP F-STYLE	853669909900
OT CABLE CLAMP A-STYLE TL	853690100000
OT CABLE CLAMP B-STYLE TL	853690100000
OT CABLE CLAMP B-STYLE LP TL	392690979000



Application advice

For more detailed application information and graphics please see product datasheet.

Sales and Technical Support

Sales and Technical Support www.osram.com

Download Data

File
 User instruction CABLE CLAMP N-STYLE
 CAD data CAD Data OT Cable Clamp N-Style.igs

Product family datasheet

	CAD data 3-dim CAD Data OT Cable Clamp N-Style
	CAD data PDF CAD Data OT Cable Clamp N-Style
	Product Datasheet 350858_Datasheet OT CABLE CLAMP B-STYLE
	Product Datasheet 497315_OT CABLE CLAMP D-STYLE
	Product Datasheet 498136_OT Technical DS - Cable Clamp E style
	Product Datasheet 637617_Preliminary DS OT CABLE CLAMP F-STYLE (GB)
	CAD data 673587_CAD Data OT-CableClamp-F-Style
	CAD data 673588_CAD Data OT-CableClamp-F-Style
	CAD data PDF 673589_CAD Data OT-CableClamp-F-Style
	Addon Technical Information 592682_Cable Clamp B-Sytle Driver Assembly
	Installation/Operation notice 547465_OT Cable Clamp TL-B Instructions sheet
	CAD data 3-dim 592683_Cable Clamp B-Sytle STEP
	CAD data 3-dim 592684_Cable Clamp B-Sytle IGS
	User instruction OT CABLE CLAMP B-STYLE LP

Logistical Data

Product code	Product description	Packaging unit (Pieces/Unit)	Dimensions (length x width x height)	Volume	Gross weight
4052899598461	OT CABLE CLAMP N-STYLE	Shipping carton box 200	380 mm x 297 mm x 208 mm	23.47 dm ³	4884.00 g
4052899089570	OT CABLE CLAMP A-STYLE	Shipping carton box 20	336 mm x 110 mm x 68 mm	2.51 dm ³	672.00 g
4052899077881	OT CABLE CLAMP B-STYLE	Shipping carton box 20	300 mm x 107 mm x 76 mm	2.44 dm ³	625.00 g
4052899077904	OT CABLE CLAMP D-STYLE	Shipping carton box 40	178 mm x 84 mm x 141 mm	2.11 dm ³	1221.00 g
4052899167896	OT CABLE CLAMP E-STYLE	Shipping carton box 20	275 mm x 85 mm x 64 mm	1.50 dm ³	380.00 g
4052899325555	OT CABLE CLAMP F-STYLE	Shipping carton box 20	278 mm x 87 mm x 70 mm	1.69 dm ³	383.00 g

Product family datasheet

Product code	Product description	Packaging unit (Pieces/Unit)	Dimensions (length x width x height)	Volume	Gross weight
4052899325982	OT CABLE CLAMP A-STYLE TL	Shipping carton box 20	470 mm x 188 mm x 77 mm	6.80 dm ³	1885.00 g
4052899948051	OT CABLE CLAMP B-STYLE TL	Shipping carton box 20	470 mm x 188 mm x 77 mm	6.80 dm ³	1885.00 g
4052899530997	OT CABLE CLAMP B-STYLE LP TL	Shipping carton box 20	256 mm x 146 mm x 82 mm	3.06 dm ³	777.00 g

The mentioned product code describes the smallest quantity unit which can be ordered. One shipping unit can contain one or more single products. When placing an order, for the quantity please enter single or multiples of a shipping unit.

Disclaimer

Subject to change without notice. Errors and omission excepted. Always make sure to use the most recent release.