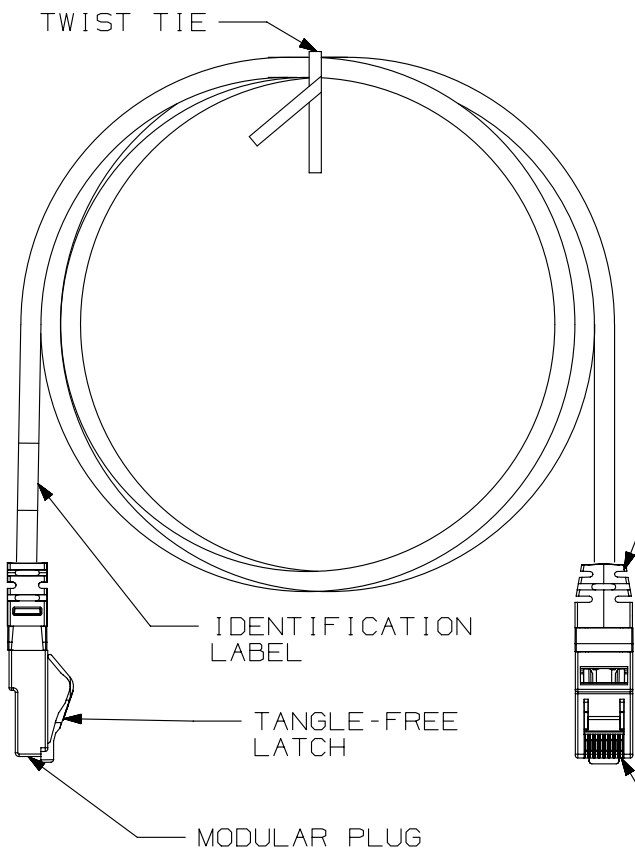


THIS COPY IS PROVIDED ON A RESTRICTED BASIS AND IS NOT TO BE USED IN ANY WAY DETRIMENTAL TO THE INTERESTS OF PANDUIT CORP.



NOTES:

- \*\*1. SEE CURRENT CATALOG FOR VARIOUS APPLICATIONS AND TO INDICATE COLOR AND OR PACKAGE QUANTITY.
- 2. SEE CATALOG FOR A COMPLETE LIST OF PARTS APPLICABLE FOR USE WITH THIS PART.
- 3. TERMINATED WITH (8 POSITION) MODULAR PLUGS AT BOTH ENDS PER T568B.
- 4. CONSTRUCTED WITH STRANDED CAT6 UTP 24AWG CM PATCH CABLE
- 5. MATERIALS:  
PLUG: POLYCARBONATE  
BOOT: CLEAR PVC
- 6. NOMINAL CABLE JACKET DIAMETER IS 0.235 IN (5.97MM)

T568B WIRING SCHEME

|                |              |
|----------------|--------------|
| PLUG POSITION: | CABLE WIRE:  |
| 1              | WHITE/ORANGE |
| 2              | ORANGE       |
| 3              | WHITE/GREEN  |
| 4              | BLUE         |
| 5              | WHITE/BLUE   |
| 6              | GREEN        |
| 7              | WHITE/BROWN  |
| 8              | BROWN        |

| CABLE COLORS ** | = COLOR |
|-----------------|---------|
| OFF WHITE       | --      |
| BLACK           | BL      |
| BLUE            | BU      |
| RED             | RD      |
| YELLOW          | YL      |
| GREEN           | GR      |
| ORANGE          | OR      |
| VIOLET          | VL      |

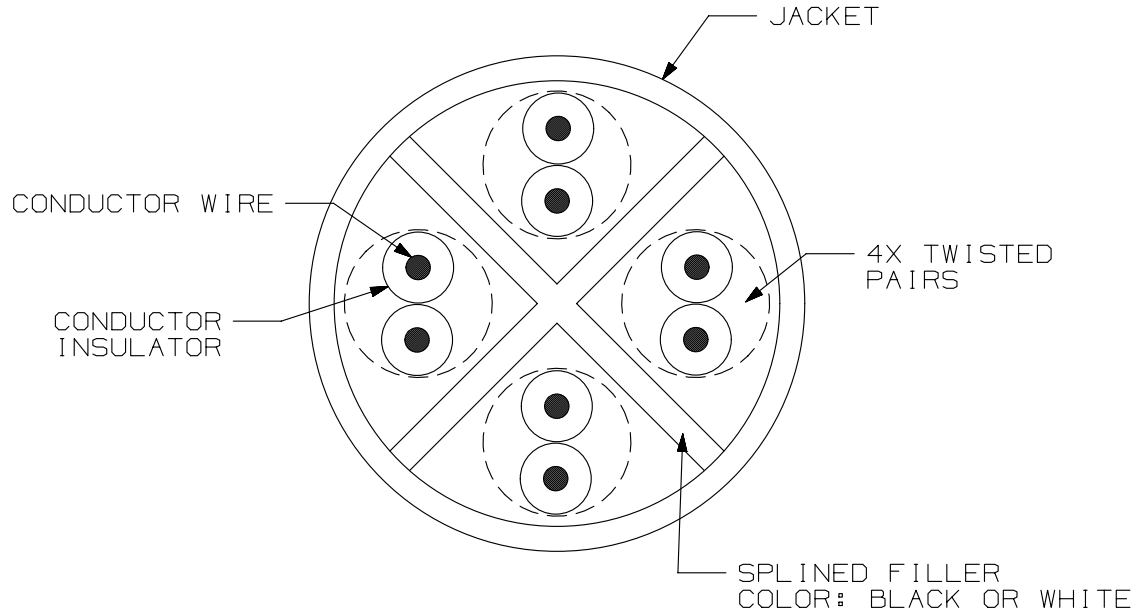
SEE SHEET 2 FOR PATCH CORD LENGTHS AND PART NUMBERS

|   |                  |                              |       |     |   |           |            |      |
|---|------------------|------------------------------|-------|-----|---|-----------|------------|------|
| PART NUMBER   |                  | UTPSPXX**Y                   |       |     |   |           |            |      |
| TITLE   |                  |                              |       |     |   |           |            |      |
| TX6 PLUS UTP PATCH CORDS (CM)                                   |                  |                              |       |     |   |           |            |      |
| CUSTOMER DRAWING  |                  |                              |       |     |   |           |            |      |
| ITEM REVISION NAME  |                  | M02479NV/00                  |       |     |   |           |            |      |
| DATASET FILE NAME   |                  | M02479NV_DC360/00E           |       |     |   |           |            |      |
| UNLESS OTHERWISE SPECIFIED, DIMENSIONAL TOLERANCES ARE: IN (mm) |                  | MATERIAL:                    |       |     |   |           |            |      |
| .x ±  | .xxx ± .010 (.3) | DRAWING NUMBER:<br>02479-360 |       |     |   |           |            |      |
| .xx ± .03 (.8)  | ANGLES ±         |                              |       |     |   |           |            |      |
| THIRD ANGLE PROJECTION  |                  |                              |       |     |   |           |            |      |
| DRAWN BY  | DATE             | CHK                          | SCALE |     |   |           |            |      |
| NER   | 3-28-06          | WJC                          | NONE  |     |   |           |            |      |
| REV   | DATE             | BY                           | CHK   | APR | DESCRIPTION                                       | ECN       | SHT 1 OF 2 | SIZE |
| 4   | 4-3-14           | BJN                          | JSP   | EJH | REVISED & REDRAWN PREVIOUS REVS REMVD FOR CLARITY | 02479-360 |            | A    |

D10100DA/14

THIS COPY IS PROVIDED ON A RESTRICTED BASIS AND IS NOT TO BE USED IN ANY WAY DETRIMENTAL TO THE INTERESTS OF PANDUIT CORP.  
TX6 PLUS UTP PATCH CORDS

| PANDUIT PART NUMBER | MIN. CABLE LENGTH | PANDUIT PART NUMBER | MIN. CABLE LENGTH |
|---------------------|-------------------|---------------------|-------------------|
| UTPSP1**Y           | 1 FT.             | UTPSP0.5M**Y        | 0.5 METER         |
| UTPSP2**Y           | 2 FT.             | UTPSP1M**Y          | 1 METER           |
| UTPSP3**Y           | 3 FT.             | UTPSP1.5M**Y        | 1.5 METER         |
| UTPSP4**Y           | 4 FT.             | UTPSP2M**Y          | 2 METERS          |
| UTPSP5**Y           | 5 FT.             | UTPSP2.5M**Y        | 2.5 METERS        |
| UTPSP6**Y           | 6 FT.             | UTPSP3M**Y          | 3 METERS          |
| UTPSP7**Y           | 7 FT.             | UTPSP4M**Y          | 4 METERS          |
| UTPSP8**Y           | 8 FT.             | UTPSP5M**Y          | 5 METERS          |
| UTPSP9**Y           | 9 FT.             | UTPSP6M**Y          | 6 METERS          |
| UTPSP10**Y          | 10 FT.            | UTPSP7M**Y          | 7 METERS          |
| UTPSP11**Y          | 11 FT.            | UTPSP8M**Y          | 8 METERS          |
| UTPSP12**Y          | 12 FT.            | UTPSP9M**Y          | 9 METERS          |
| UTPSP13**Y          | 13 FT.            | UTPSP10M**Y         | 10 METERS         |
| UTPSP14**Y          | 14 FT.            | UTPSP15M**Y         | 15 METERS         |
| UTPSP15**Y          | 15 FT.            | UTPSP20M**Y         | 20 METERS         |
| UTPSP16**Y          | 16 FT.            | UTPSP25M**Y         | 25 METERS         |
| UTPSP17**Y          | 17 FT.            | UTPSP30M**Y         | 30 METERS         |
| UTPSP18**Y          | 18 FT.            | UTPSP35M**Y         | 35 METERS         |
| UTPSP19**Y          | 19 FT.            | UTPSP40M**Y         | 40 METERS         |
| UTPSP20**Y          | 20 FT.            |                     |                   |
| UTPSP25**Y          | 25 FT.            |                     |                   |
| UTPSP30**Y          | 30 FT.            |                     |                   |
| UTPSP35**Y          | 35 FT.            |                     |                   |
| UTPSP40**Y          | 40 FT.            |                     |                   |



CROSS-SECTIONAL VIEW OF CABLE

|   |         |                    |       |
|---|---------|--------------------|-------|
| PART NUMBER   |         | UTPSPXX**Y         |       |
| TITLE   |         |                    |       |
| TX6 PLUS UTP PATCH CORDS (CM)                                     |         |                    |       |
| CUSTOMER DRAWING  |         |                    |       |
| ITEM REVISION NAME  |         | M02479NV/00        |       |
| DATASET FILE NAME   |         | M02479NV_DC360/00E |       |
| UNLESS OTHERWISE SPECIFIED, DIMENSIONAL TOLERANCES ARE: IN [ mm ] |         | <b>PANDUIT</b>     |       |
| .x ± .xxx ± .010 [ .3 ]   |         |                    |       |
| .xx ± .03 [ .8 ]  |         | MATERIAL:          |       |
| ANGLES ±  |         | DRAWING NUMBER:    |       |
| THIRD ANGLE PROJECTION  |         | 02479-360          |       |
| DRAWN BY  | DATE    | CHK                | SCALE |
| NER   | 3-28-06 | WJC                | NONE  |
| SHT 2 OF 2  |         |                    | SIZE  |
|   |         |                    | A     |

| REV | DATE   | BY  | CHK | APR | DESCRIPTION                      | ECN       |
|-----|--------|-----|-----|-----|----------------------------------|-----------|
| 4   | 4-3-14 | BJN | JSP | EJH | SEE SHEET 1 FOR REVISION HISTORY | 02479-360 |

D10100DA/14

# Mouser Electronics

Authorized Distributor

Click to View Pricing, Inventory, Delivery & Lifecycle Information:

[Panduit:](#)

[UTPSP12BUY](#) [UTPSP40RDY](#) [UTPSP80RDY](#) [UTPSP140RDY](#) [UTPSP120RDY](#) [UTPSP100RDY](#) [UTPSP80BUY](#)  
[UTPSP80GY](#) [UTPSP30Y](#) [UTPSP7GRY](#) [UTPSP15BUY](#) [UTPSP5YLY](#)