

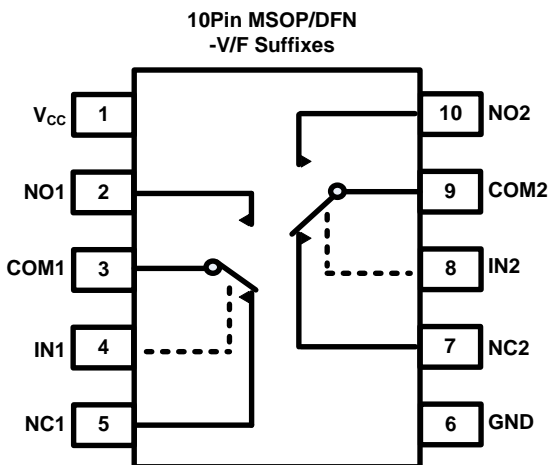
Features

- Latch-Up Performance Exceeds 800 mA Per JESD 78, Class II
- Supply Voltage: 1.65V to 5.5V
- Low ON-State Resistance: typical 0.95Ω at Vs = 4.5V
- Bandwidth: 100 MHz
- Fast switching times: t_{ON} =40 ns, t_{OFF} =15 ns
- Break-Before-Make Switching
- Operation Temperature Range: -40°C to 125°C

Applications

- Industry control systems
- Battery-powered systems
- Audio Signal Routing
- Portable Instruments and Mobile Device

Pin Configuration



Function Table

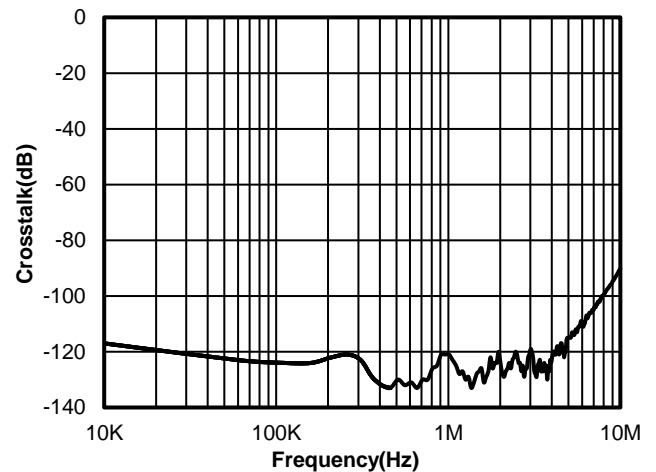
IN1, IN2	NC1, NC2	NO1, NO2
Low	ON	OFF
High	OFF	ON

Description

TPW3221 is high performance Single Pole/Double Throw (SPDT) analog switches. The devices feature ultra low RON of 1.2Ω maximum at 4.5V V_{CC} and will operate over the wide V_{CC} range of 1.65V to 5.5V.

The TPW3221 features very low quiescent current even when the control voltage is lower than the V_{CC} supply. This feature services the portable applications very well allowing for the direct interface with processor general purpose I/Os.

The TPW3221 has very excellent channel to channel crosstalk performance to fit the application with high channel to channel isolation requirement.



Pin Description

Pin name	Pin No	Pin function
V _{CC}	1	Power supply
NO1	2	Switch Port 1, Normal Open
COM1	3	Common switch port 1
IN1	4	Select pin 1
NC1	5	Switch Port 1, Normal Close
GND	6	Ground
NC2	7	Switch Port 2, Normal Close
IN2	8	Select pin 2
COM2	9	Common switch port 2
NO2	10	Switch Port 2, Normal Open

Table of Contents

Features	1
Applications	1
Function Table	1
Description	1
Pin Description	1
Table of Contents	2
Revision History	3
Order Information	3
Absolute Maximum Ratings ^{Note 1}	4
ESD Rating	4
Thermal Information	4
Recommended Operating Conditions ^{Note 1}	4
Electrical Characteristics	5
Typical Performance Characteristics	9
Test Circuit and Waveforms	10
Application Information	11
Tape and Reel Information	12
Package Outline Dimensions	13
MSOP-10	13
DFN-10 3*3	14
IMPORTANT NOTICE AND DISCLAIMER	15

Revision History

Date	Revision	Notes
2018/6/24	Rev.Pre	Pre-Release Version
2019/1/28	Rev.0	Initial Version
2019/7/24	Rev.0.01	Update Tape and Reel Information of TPW3221-FR: 3000->4000, remove data code information Correct Toff test condition in figure 6: 50% of output -> 90% of output Spec of ΔRON at 1.65Vcc change: 2/3/3ohm -> 5/7/7ohm Spec of Ton/Toff/Tb at 1.65Vcc change: "max" -> "typ"

Order Information

Order Number	Operating Temperature Range	Package	Marking Information	MSL	Transport Media, Quantity
TPW3221-VR	-40 to 125°C	10-Pin MSOP	W3221	3	Tape and Reel, 3000
TPW3221-FR	-40 to 125°C	10-Pin DFN 3*3	W3221	3	Tape and Reel, 4000

Absolute Maximum Ratings ^{Note 1}

Parameters	Rating
Supply Voltage, V_{CC}	-0.5V to 6V
Select Input Voltage	-0.5V to 6V
Select Input Diode Current	-50mA
Switch I/O Port Voltage	-0.5 to $V_{CC} + 0.5$
Switch I/O Port diode current	± 50 mA
Switch Current	200mA
Maximum Junction Temperature	150°C
Storage Temperature Range	-65 to 150°C
Lead Temperature (Soldering, 10 sec)	260°C

Note 1: Stresses beyond those listed under Absolute Maximum Ratings may cause permanent damage to the device. Exposure to any Absolute Maximum Rating condition for extended periods may affect device reliability and lifetime.

ESD Rating

Symbol	Parameter	Condition	Minimum Level	Unit
HBM	Human Body Model ESD	ANSI/ESDA/JEDEC JS-001	4	kV
CDM	Charged Device Model ESD	ANSI/ESDA/JEDEC JS-002	2	kV

Thermal Information

Package Type	θ_{JA}	θ_{JC}	Unit
10-Pin MSOP	150	100	°C/W
10-Pin DFN 3*3	75	54	°C/W

Recommended Operating Conditions ^{Note 1}

Over operating temperature range

Parameters	Min	Max	Unit
Supply Voltage, V_{CC}	1.65	5.5	V
Select Input Voltage	0	V_{CC}	V
Input Transition Rise and Fall Rate		100	ns/V
Switch I/O Port Voltage	0V	V_{CC}	V
Operating Temperature Range	-40	125	°C

Note 1: Select input must be held HIGH or LOW and it must not float.

Electrical Characteristics

V_{CC} = 4.5 to 5.5V, unless otherwise noted.

Symbol	Parameter	Conditions	V _{CC} (V)	25°C	-40°C to 85°C	-40°C to 125°C	Limit	Unit
Power Supply								
I _{CC}	Quiescent Supply Current	V _{IN} = 0V or V _{CC}	5.5	0.3	0.5	1.5	Max	μA
ΔI _{CC}	Increase in I _{CC} per Input	Select Input at 2.7V, others at V _{CC} or GND	4.3	30	35	35	Max	μA
Digital Input								
V _{IH}	Input Voltage High				2.4	2.4	Min	V
V _{IL}	Input Voltage Low				0.8	0.8	Max	V
I _{IN}	Control Input Leakage	V _{IN} = 0V or V _{CC}	5.5		±1	±1	Max	μA
Analog Switch								
R _{ON}		I _{OUT} = 100mA, NCx or NOx = 3.5V	4.5	0.95			Typ	Ω
R _{ON}		I _{OUT} = 100mA, NCx or NOx = 3.5V	4.5	1.2	1.4	1.5	Max	Ω
ΔR _{ON}	Maximum ON resistance	I _{OUT} = 100mA, NCx or NOx = 3.5V	4.5	0.12	0.15	0.2	Max	Ω
R _{FLAT(ON)}	On Resistance Flatness	I _{OUT} = 100mA, NCx or NOx = 0V, 1V, 2V	4.5	0.3	0.4	0.5	Max	Ω
I _{NO(OFF)} , I _{NC(OFF)}	Switch OFF Leakage Current on B0, B1	COMx = 1V, 4.5V, NCx or NOx = 4.5V, 1V	5.5	±10	±25	±50	Max	nA
I _{A(OFF)}	Switch OFF Leakage Current on A	COMx = 1V, 4.5V, NCx or NOx = 4.5V, 1V	5.5	±10	±50	±100	Max	nA
I _{A(ON)}	Switch ON Leakage Current on A	COMx = 1V, 4.5V, NCx or NOx = 1V, 4.5V or Floating	5.5	±10	±50	±100	Max	nA
Dynamic Characteristics								
t _{PHL} , t _{PLH}	Switch IN to OUT time	NCx or NOx = 3V, RL = 50Ω, CL = 35pF, Figure 7	4.5	5			Typ	ns
t _{ON}	Switch turn-on time	NCx or NOx = 3V, RL = 50Ω, CL = 35pF, Figure 7	4.5	40	45	45	Max	ns
t _{OFF}	Switch turn-off time	NCx or NOx = 3V, RL = 50Ω, CL = 35pF, Figure 7	4.5	15	20	20	Max	ns
t _B	Break before make time	NCx or NOx = 3V, RL = 50Ω, CL = 35pF, Figure 8	4.5	20	40	40	Typ	ns
Q	Charge Injection	C _L = 1.0nF, V _{GEN} = 0V, R _{GEN} = 0Ω, Figure 9	5.5	20			Typ	pC
	OFF-Isolation	f = 1MHz, RL = 50Ω, Figure 10	5	-65			Typ	dB
	Crosstalk	f = 1MHz, RL = 50Ω, Figure 11	5	-65			Typ	dB
	Channel to Channel Crosstalk	f = 1MHz, Figure 12	5	-120			Typ	dB
BW	Bandwidth	R _L = 50Ω	5	100			Typ	MHz
THD	Total Harmonic Distortion	R _L = 600Ω, V _{IN} = 0.5V _{PP} , f = 20Hz to 20kHz	5	0.004			Typ	%
Capacitance								
C _{IN}	Select Input capacitance		5	5			Typ	pF
C _{OFF}	B-Port Off capacitance		5	12			Typ	pF
C _{ON}	ON Capacitance		5	40			Typ	pF

V_{CC} = 2.7 to 3.6V, unless otherwise noted.

Symbol	Parameter	Conditions	V _{CC} (V)	25°C	-40°C to 85°C	-40°C to 125°C	Limit	Unit
Power Supply								
I _{CC}	Quiescent Supply Current	V _{IN} = 0V or V _{CC}	3.6	0.3	0.5	1.5	Max	μA
Digital Input								
V _{IH}	Input Voltage High				1.65	1.65	Min	V
V _{IL}	Input Voltage Low				0.6	0.6	Max	V
I _{IN}	Control Input Leakage	V _{IN} = 0V or V _{CC}	3.6		±1	±1	Max	μA
Analog Switch								
R _{ON}		I _{OUT} = 100mA, NCx or NOx = 1.5V	2.7	2			Typ	Ω
R _{ON}		I _{OUT} = 100mA, NCx or NOx = 1.5V	2.7	2.1	2.3	2.6	Max	Ω
ΔR _{ON}	Maximum ON resistance	I _{OUT} = 100mA, NCx or NOx = 1.5V	2.7	0.1	0.15	0.2	Max	Ω
R _{FLAT(ON)}	On Resistance Flatness	I _{OUT} = 100mA, NCx or NOx = 0V, 0.75V, 1.5V	2.7	1.2	1.3	1.4	Max	Ω
I _{NO(OFF)} , I _{NC(OFF)}	Switch OFF Leakage Current on B0, B1	COMx = 0V, 3.6V, NCx or NOx = 3.6V, 0V	3.6	±10	±25	±50	Max	nA
I _{A(OFF)}	Switch OFF Leakage Current on A	COMx = 0V, 3.6V, NCx or NOx = 3.6V, 0V	3.6	±10	±50	±100	Max	nA
I _{A(ON)}	Switch ON Leakage Current on A	COMx = 0V, 3.6V, NCx or NOx = 0V, 3.6V or Floating	3.6	±10	±50	±100	Max	nA
Dynamic Characteristics								
t _{PHL} , t _{PLH}	Switch IN to OUT time	NCx or NOx = 1.5V, R _L = 50Ω, C _L = 35pF, Figure 7	2.7	10			Typ	ns
t _{ON}	Switch turn-on time	NCx or NOx = 1.5V, R _L = 50Ω, C _L = 35pF, Figure 7	2.7	60	70	70	Max	ns
t _{OFF}	Switch turn-off time	NCx or NOx = 1.5V, R _L = 50Ω, C _L = 35pF, Figure 7	2.7	25	30	30	Max	ns
t _B	Break before make time	NCx or NOx = 1.5V, R _L = 50Ω, C _L = 35pF, Figure 8	2.7	20			Typ	ns
Q	Charge Injection	C _L = 1.0nF, V _{GEN} = 0V, R _{GEN} = 0Ω, Figure 9	3	20			Typ	pC
	OFF-Isolation	f = 1MHz, R _L = 50Ω, Figure 10	3	-65			Typ	dB
	Crosstalk	f = 1MHz, R _L = 50Ω, Figure 11	3	-65			Typ	dB
	Channel to Channel Crosstalk	f = 1MHz, Figure 12	3	-120			Typ	dB
BW	Bandwidth	R _L = 50Ω	3	100			Typ	MHz
THD	Total Harmonic Distortion	R _L = 600Ω, V _{IN} = 0.5V _{PP} , f = 20Hz to 20kHz	3	0.01			Typ	%

V_{CC} = 1.65 to 1.95V, unless otherwise noted.

Symbol	Parameter	Conditions	V _{CC} (V)	25°C	-40°C to 85°C	-40°C to 125°C	Limit	Unit
Power Supply								
I _{CC}	Quiescent Supply Current	V _{IN} = 0V or V _{CC}	1.95	0.3	0.5	1.5	Max	μA
Digital Input								
V _{IH}	Input Voltage High				1.4	1.4	Min	V
V _{IL}	Input Voltage Low				0.4	0.4	Max	V
I _{IN}	Control Input Leakage	V _{IN} = 0V or V _{CC}	1.95		±1	±1	Max	μA
Analog Switch								
R _{ON}		I _{OUT} = 10mA, NCx or NOx = 0.9V	1.65	10			Typ	Ω
R _{ON}		I _{OUT} = 10mA, NCx or NOx = 0.9V	1.65	15	18	18	Max	Ω
ΔR _{ON}	Maximum ON resistance	I _{OUT} = 10mA, NCx or NOx = 0.9V	1.65	5	7	7	Max	Ω
I _{NO(OFF)} , I _{NC(OFF)}	Switch OFF Leakage Current on B0, B1	COMx = 0V, 1.95V, NCx or NOx = 1.95V, 0V	1.95	±10	±25	±50	Max	nA
I _{A(OFF)}	Switch OFF Leakage Current on A	COMx = 0V, 1.95V, NCx or NOx = 1.95V, 0V	1.95	±10	±50	±100	Max	nA
I _{A(ON)}	Switch ON Leakage Current on A	COMx = 0V, 1.95V, NCx or NOx = 0V, 1.95V or Floating	1.95	±10	±50	±100	Max	nA
Dynamic Characteristics								
t _{PHL} , t _{PLH}	Switch IN to OUT time	NCx or NOx = 1.0V, R _L = 50Ω, CL = 35pF, Figure 7	1.65	10			Typ	ns
t _{ON}	Switch turn-on time	NCx or NOx = 1.0V, R _L = 50Ω, CL = 35pF, Figure 7	1.65	80			Typ	ns
t _{OFF}	Switch turn-off time	NCx or NOx = 1.0V, R _L = 50Ω, CL = 35pF, Figure 7	1.65	55			Typ	ns
t _B	Break before make time	NCx or NOx = 1.0V, R _L = 50Ω, CL = 35pF, Figure 8	1.65	20			Typ	ns
Q	Charge Injection	C _L = 1.0nF, V _{GEN} = 0V, R _{GEN} = 0Ω, Figure 9	1.8	20			Typ	pC
	OFF-Isolation	f = 1MHz, R _L = 50Ω, Figure 10	1.8	-65			Typ	dB
	Crosstalk	f = 1MHz, R _L = 50Ω, Figure 11	1.8	-65			Typ	dB
	Channel to Channel Crosstalk	f = 1MHz, Figure 12	1.8	-120			Typ	dB
BW	Bandwidth	R _L = 50Ω	1.8	100			Typ	MHz
THD	Total Harmonic Distortion	R _L = 600Ω, V _{IN} = 0.5V _{PP} , f = 20Hz to 20kHz	1.8	0.01			Typ	%

T_{COMx} = 0°C to 50°C, unless otherwise noted.

Symbol	Parameter	Conditions	V _{CC} (V)	Spec	Limit	Unit
I _{NO(OFF)} , I _{NC(OFF)}	Switch OFF Leakage Current on B0, B1	COMx = 1V, 4.5V, NCx or NOx = 4.5V, 1V	3.6	±10	Max	nA
I _{A(OFF)}	Switch OFF Leakage Current on A	COMx = 1V, 4.5V, NCx or NOx = 4.5V, 1V	3.6	±20	Max	nA
I _{A(ON)}	Switch ON Leakage Current on A	COMx = 1V, 4.5V, NCx or NOx = 1V, 4.5V or Floating	3.6	±20	Max	nA
I _{NO(OFF)} , I _{NC(OFF)}	Switch OFF Leakage Current on B0, B1	COMx = 1V, 4.5V, NCx or NOx = 4.5V, 1V	5.5	±10	Max	nA
I _{A(OFF)}	Switch OFF Leakage Current on A	COMx = 1V, 4.5V, NCx or NOx = 4.5V, 1V	5.5	±20	Max	nA
I _{A(ON)}	Switch ON Leakage Current on A	COMx = 1V, 4.5V, NCx or NOx = 1V, 4.5V or Floating	5.5	±20	Max	nA

Typical Performance Characteristics

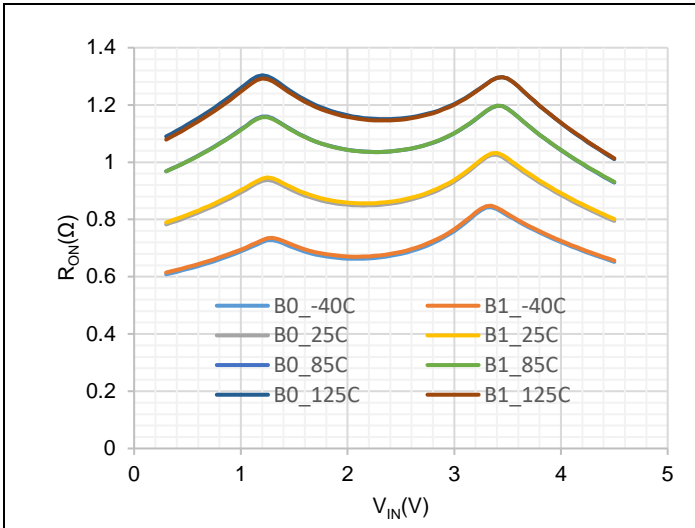


Figure 1. R_{ON} , $V_{CC} = 4.5V$, Temp = -40, 25, 85, 125°C

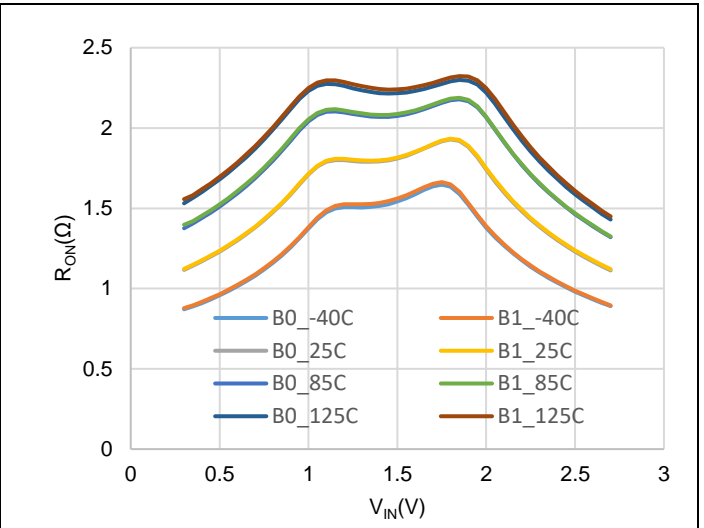


Figure 2. R_{ON} , $V_{CC} = 2.7V$, Temp = -40, 25, 85, 125°C

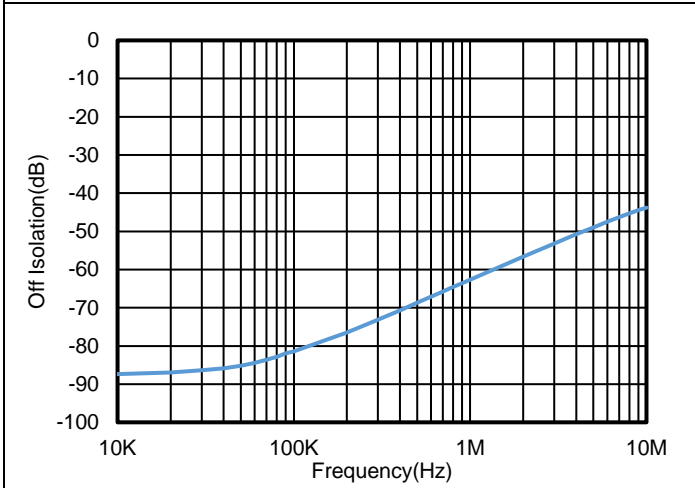


Figure 3. Off-Isolation, $V_{CC} = 4.5V$

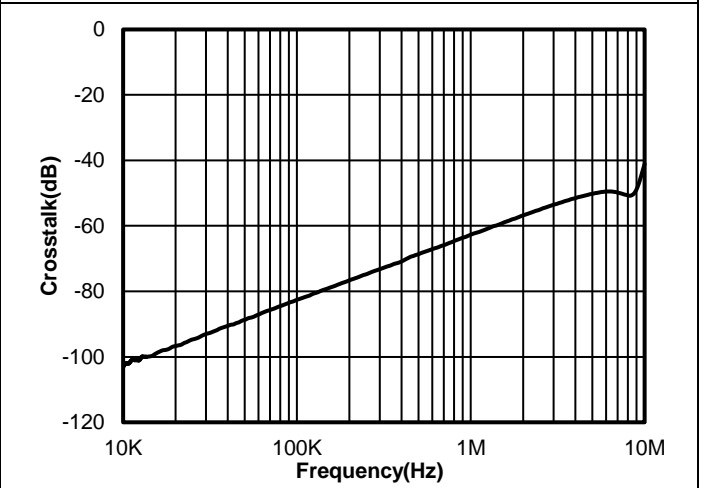


Figure 4. Crosstalk, $V_{CC} = 4.5V$

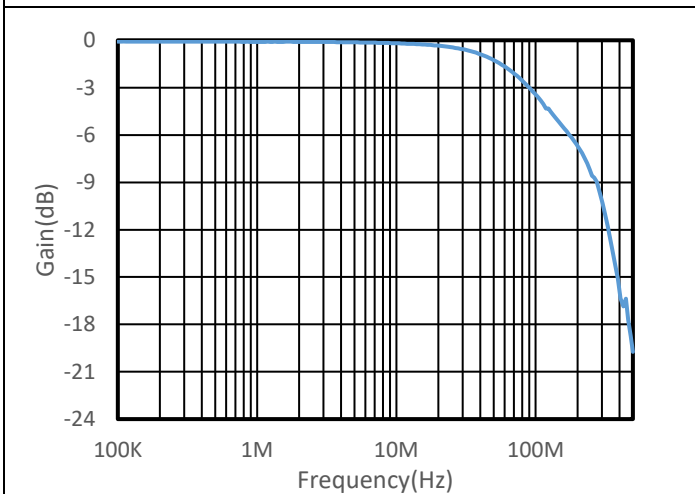


Figure 5. Bandwidth, $V_{CC} = 4.5V$

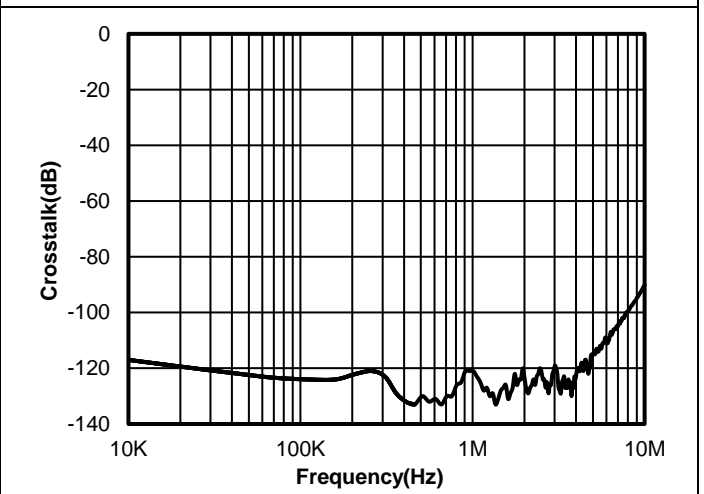


Figure 6. Channel to Channel Crosstalk, $V_{CC} = 4.5V$

Test Circuit and Waveforms

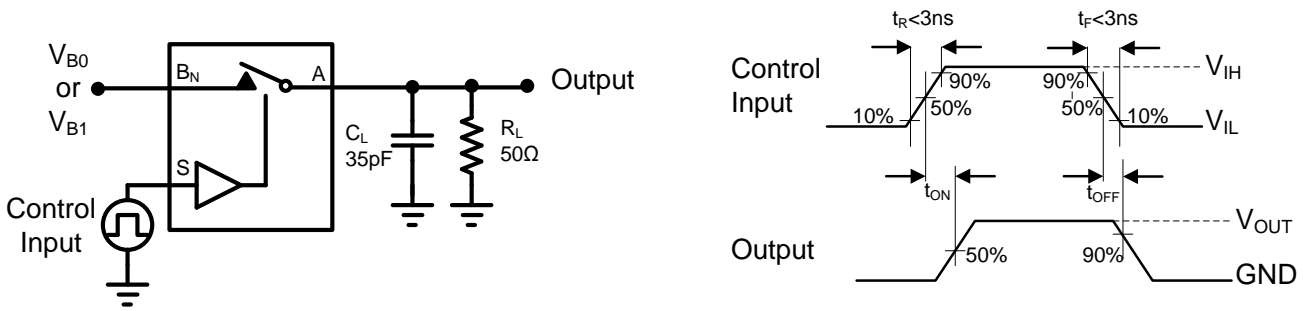


Figure 7 AC Test Circuit and Test Waveforms

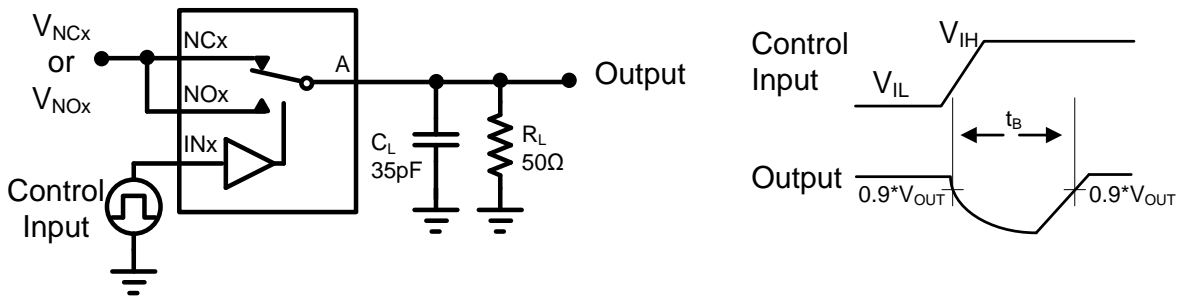


Figure 8 Switch Break Time

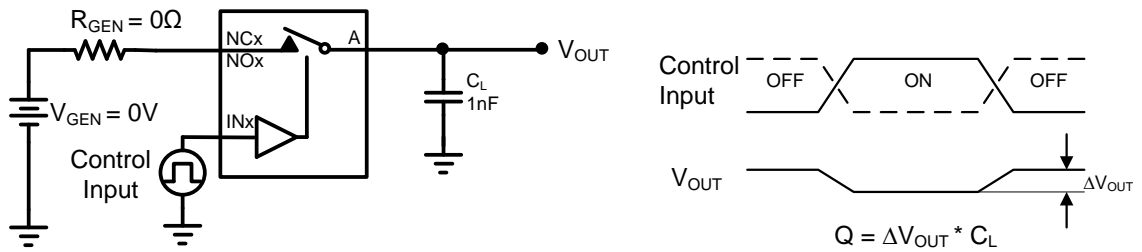


Figure 9 Charge Injection

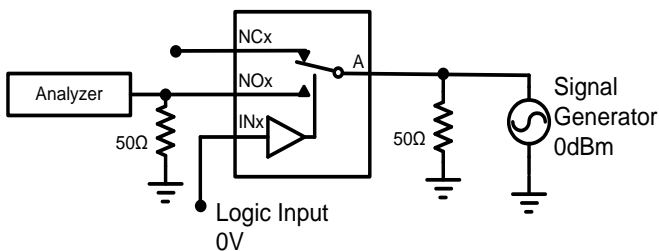


Figure 10 Off Isolation

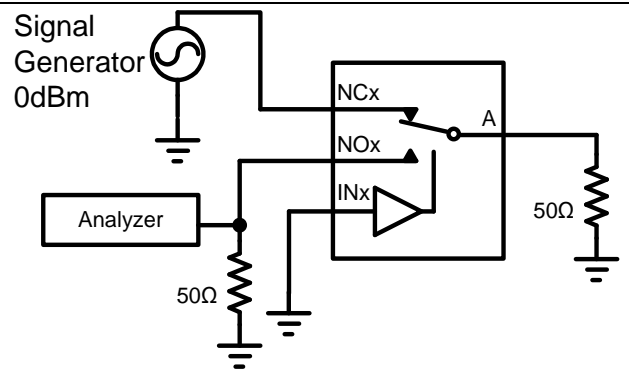
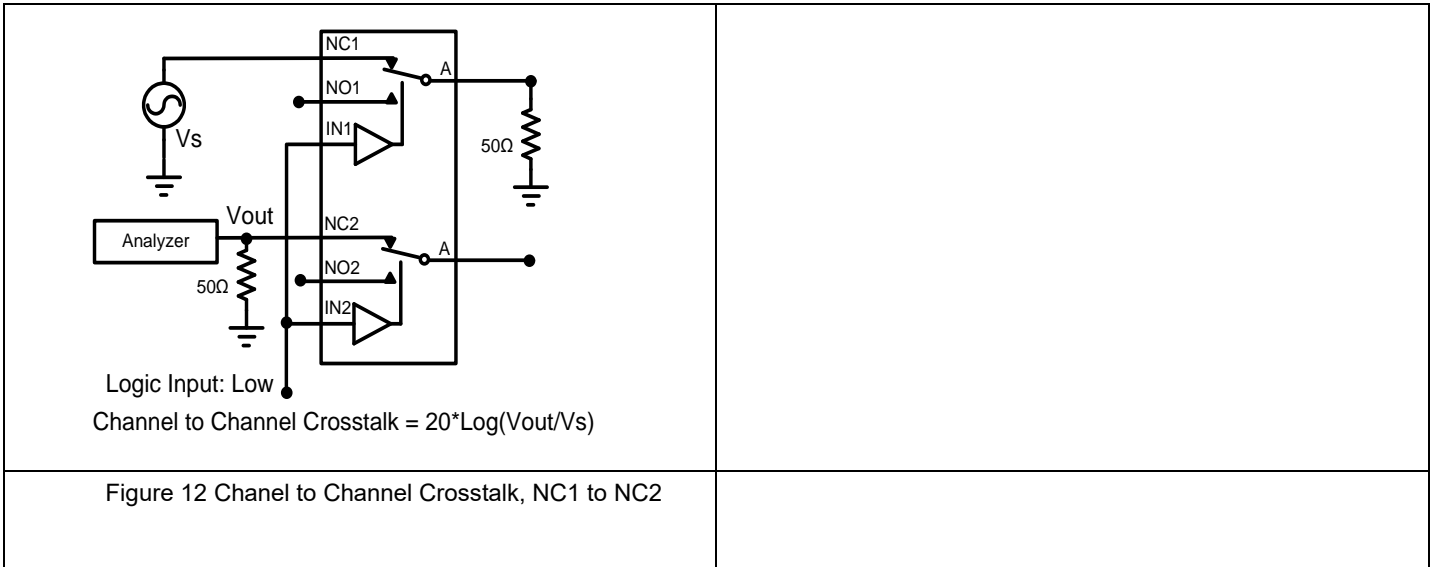


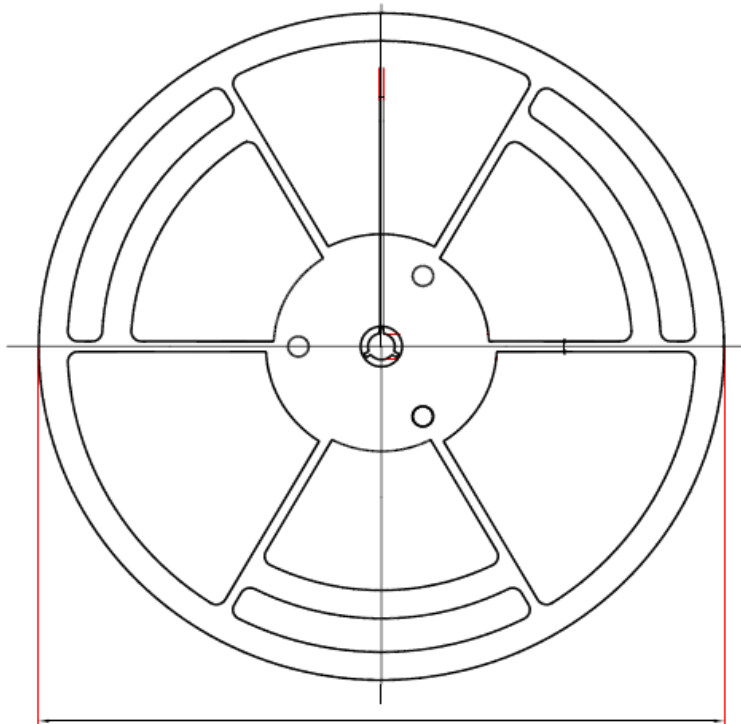
Figure 11 Crosstalk



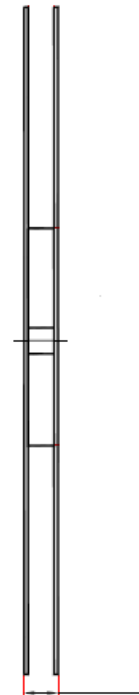
Application Information

A 0.1-μF bypass capacitor on V_{CC} and GND is recommended to prevent power disturbance.

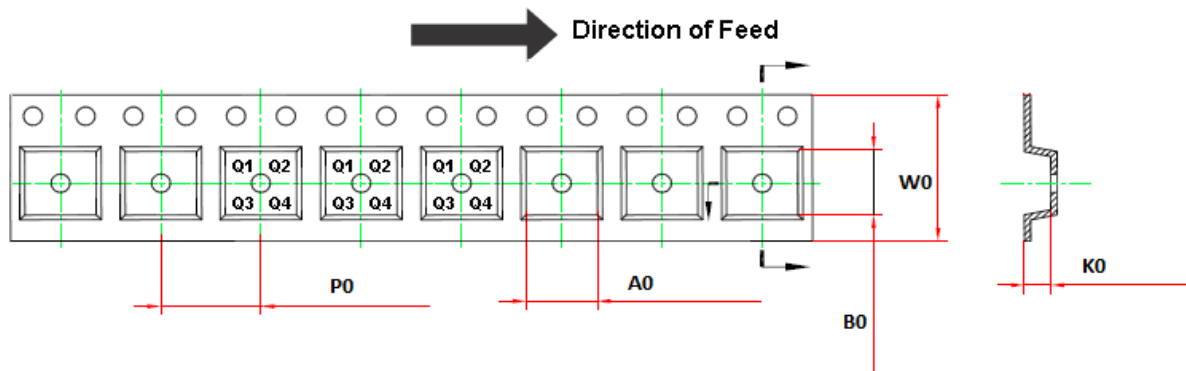
Tape and Reel Information



D1: Reel Diameter



W1: Reel Width

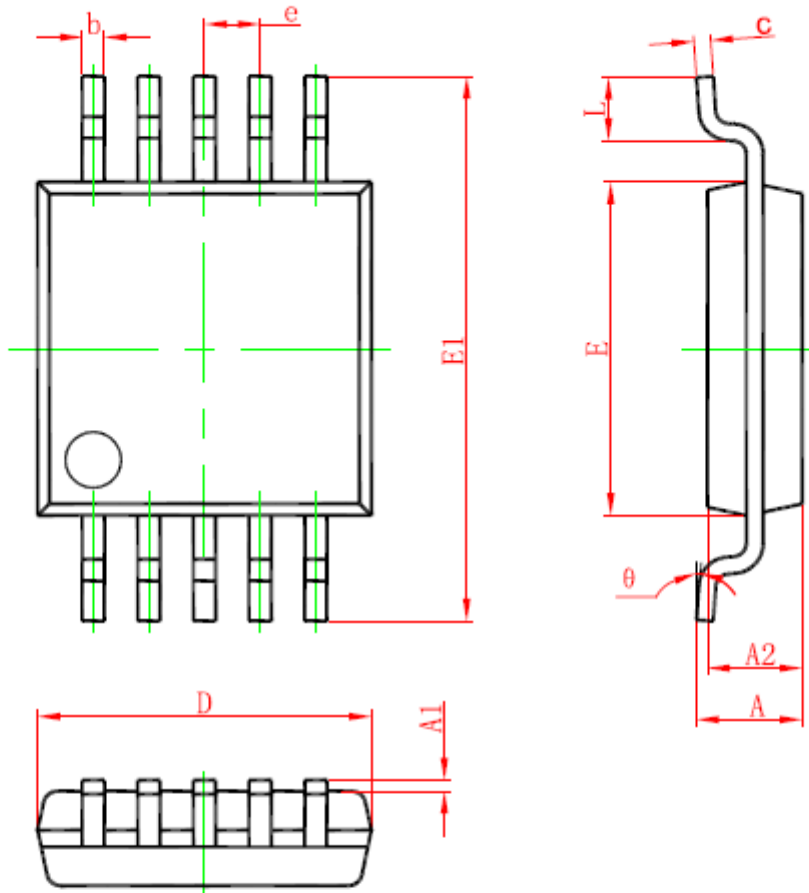


Order Number	Package	D1	W1	A0	B0	K0	P0	W0	Pin1 Quadrant
TPW3221-VR	10-Pin MSOP	330.0	17.6	5.20	3.30	1.50	8.00	12.00	Q1
TPW3221-FR	10-Pin DFN	330.0	17.6	3.35	3.35	1.13	8.00	12.00	Q1

Package Outline Dimensions

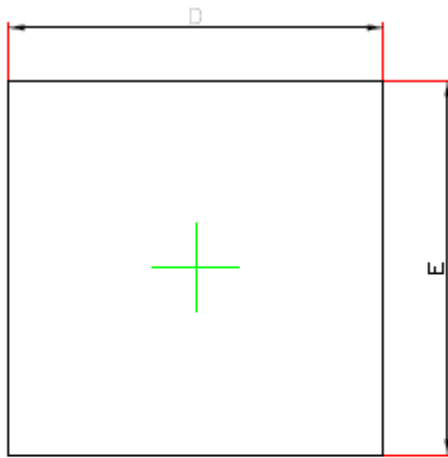
MSOP-10

MSOP10 PACKAGE OUTLINE DIMENSIONS

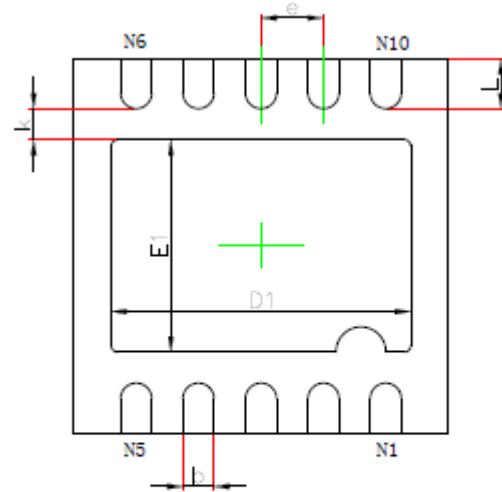


Symbol	Dimensions In Millimeters		Dimensions In Inches	
	Min	Max	Min	Max
A	0.820	1.100	0.032	0.043
A1	0.020	0.150	0.001	0.006
A2	0.750	0.950	0.030	0.037
b	0.180	0.280	0.007	0.011
c	0.090	0.230	0.004	0.009
D	2.900	3.100	0.114	0.122
e	0.50(BSC)		0.020(BSC)	
E	2.900	3.100	0.114	0.122
E1	4.750	5.050	0.187	0.199
L	0.400	0.800	0.016	0.031
θ	0°	6°	0°	6°

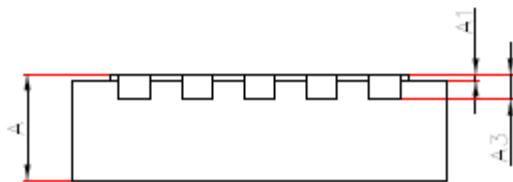
DFN-10 3*3



TOP VIEW



BOTTOM VIEW



SIDE VIEW

Symbol	Dimensions In Millimeters		Dimensions In Inches	
	Min.	Max.	Min.	Max.
A	0.700/0.800	0.800/0.900	0.028/0.031	0.031/0.035
A1	0.000	0.050	0.000	0.002
A3	0.203REF.		0.008REF.	
D	2.924	3.076	0.115	0.121
E	2.924	3.076	0.115	0.121
D1	2.300	2.500	0.091	0.098
E1	1.600	1.800	0.063	0.071
k	0.200MIN.		0.008MIN.	
b	0.200	0.300	0.008	0.012
e	0.500TYP.		0.020TYP.	
L	0.324	0.476	0.013	0.019

IMPORTANT NOTICE AND DISCLAIMER

Copyright© 3PEAK 2012-2023. All rights reserved.

Trademarks. Any of the 思瑞浦 or 3PEAK trade names, trademarks, graphic marks, and domain names contained in this document /material are the property of 3PEAK. You may NOT reproduce, modify, publish, transmit or distribute any Trademark without the prior written consent of 3PEAK.

Performance Information. Performance tests or performance range contained in this document/material are either results of design simulation or actual tests conducted under designated testing environment. Any variation in testing environment or simulation environment, including but not limited to testing method, testing process or testing temperature, may affect actual performance of the product.

Disclaimer. 3PEAK provides technical and reliability data (including data sheets), design resources (including reference designs), application or other design recommendations, networking tools, security information and other resources "As Is". 3PEAK makes no warranty as to the absence of defects, and makes no warranties of any kind, express or implied, including without limitation, implied warranties as to merchantability, fitness for a particular purpose or non-infringement of any third-party's intellectual property rights. Unless otherwise specified in writing, products supplied by 3PEAK are not designed to be used in any life-threatening scenarios, including critical medical applications, automotive safety-critical systems, aviation, aerospace, or any situations where failure could result in bodily harm, loss of life, or significant property damage. 3PEAK disclaims all liability for any such unauthorized use.