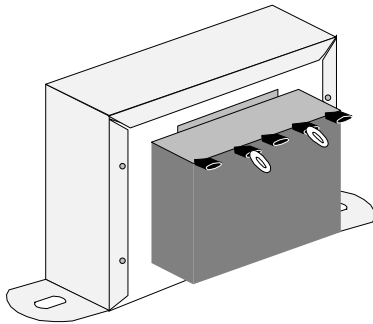
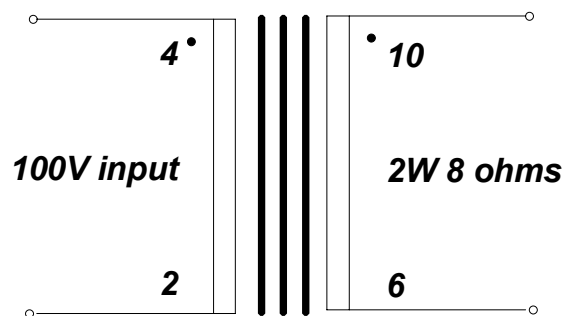


Specification for B18A001F

Description: 100V line transformer, 2Watts 8Ω
Primary DC Resistance = 320Ω (+/-15%)
Secondary DC Resistance = 0.7Ω (+/-15%)
Primary Inductance @ 100Hz, 0.274V = Typ. 4.2H ±20%
Turns ratio: 22.2:1
Proof Voltage = 2kV rms



Dimensions:
Width 65mm
Height 37mm
Depth 40mm
Weight 0.13Kg
Fixing Centres 53.5 x 4BA