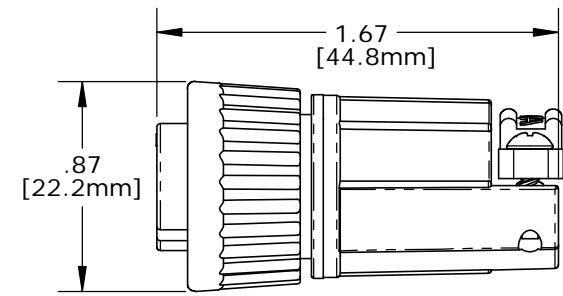


CUSTOMER PRINT

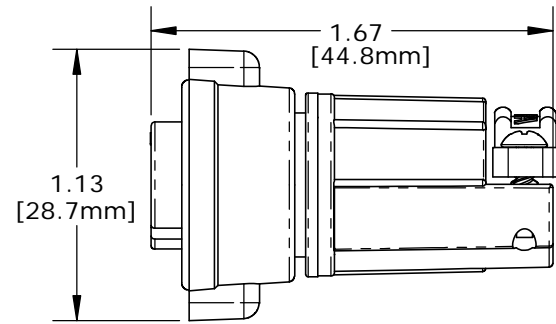
PART NUMBER: W3280-1XSG-5XX

NOTES:
 1. PARTS TO BE BULK PACKED.
 2. ALL DIMENSIONS ARE REFERENCE ONLY EXCEPT WHERE NOTED WITH TOLERANCE. DIMENSIONS IN BRACKET [] ARE METRIC.

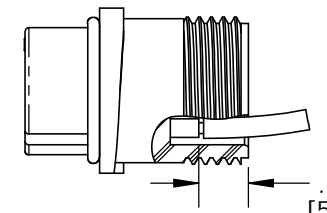
KIT PART NO.	GROMMET SIZE TO FIT CABLE O.D.	DIA. "D"	KIT P/N	NO/ OF CONTACTS
W3280-1XSG-518(W)	0.18 - 0.20 [4.6-5.1mm]	Ø0.77 [19.6mm]	W3280-10SG-5XX	(10) - #20
W3280-1XSG-521(W)	0.21 - 0.23 [5.3-5.8mm]	Ø0.77 [19.6mm]	W3280-11SG-5XX	(11) - #20
W3280-1XSG-524(W)	0.24 - 0.27 [6.1-6.8mm]	Ø0.77 [19.6mm]	W3280-12SG-5XX	(12) - #20
W3280-1XSG-528(W)	0.28 - 0.29 [7.1-7.4mm]	Ø0.77 [19.6mm]	W3280-10SG-5XXW	(10) - #20
W3280-1XSG-530(W)	0.30 - 0.32 [7.6-8.1mm]	Ø0.77 [19.6mm]	W3280-11SG-5XXW	(11) - #20
W3280-1XSG-535(W)	0.35 - 0.40 [8.9-10.2mm]	Ø0.83 [21.1mm]	W3280-12SG-5XXW	(12) - #20
			ADD W SUFFIX FOR WINGED COUPLING RING OPTION	
			W3280-1XSG-5XX(W)	



ASSEMBLED VIEW SHOWN WITH STANDARD COUPLING RING



ASSEMBLED VIEW SHOWN WITH WING COUPLING RING



CONTACT INSERTION VIEW

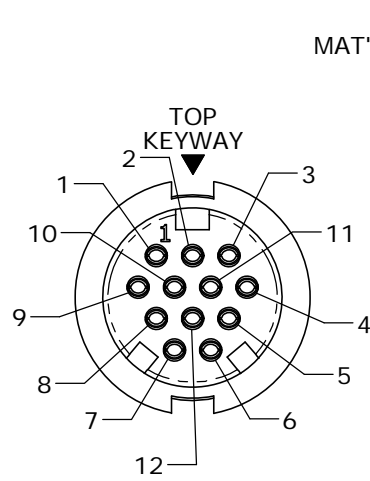
.206±.015 [5.2±0.4mm]

#4 HI/LO SCREW MAT'L: STAINLESS STEEL

BACKSHELL STRAP MAT'L: UV THERMOPLASTIC, BLACK

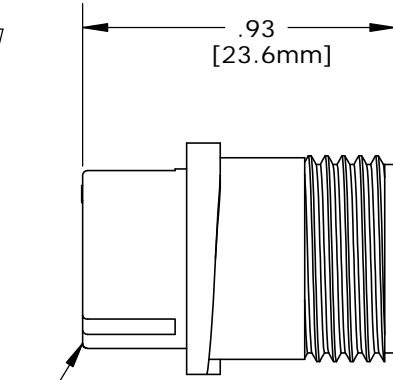
NO. OF CONTACTS

GROMMET SIZE SEE P/N LIST

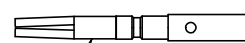


FACE VIEW W3280-12SG-5XX(W)

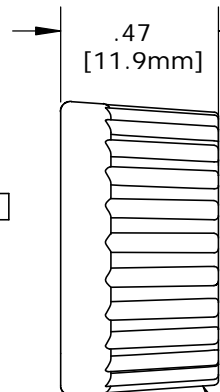
O-RING MAT'L: RUBBER, BLACK



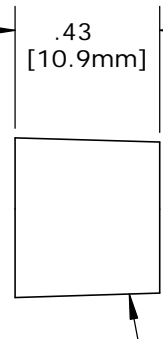
CABLE INSERT, FEMALE MAT'L: UV THERMOPLASTIC, BLACK



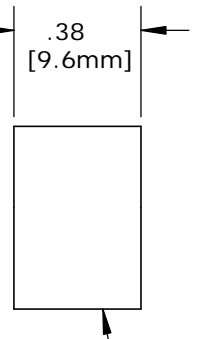
#20 SOCKET CONTACTS CRIMP, GOLD PLATED



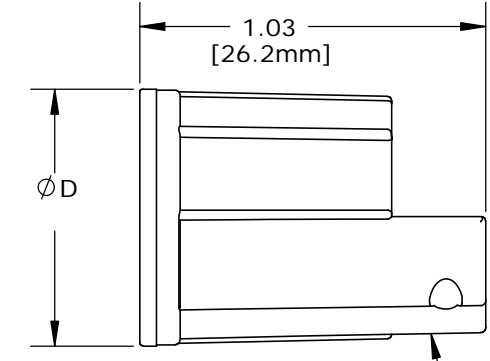
GROMMET, MAT'L: RUBBER, BLACK FOR CABLE O.D. SEE TABLE



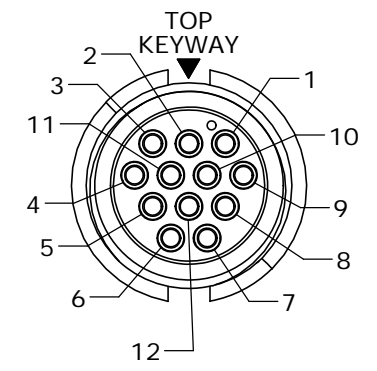
SLEEVE MAT'L: THERMOPLASTIC, BLACK



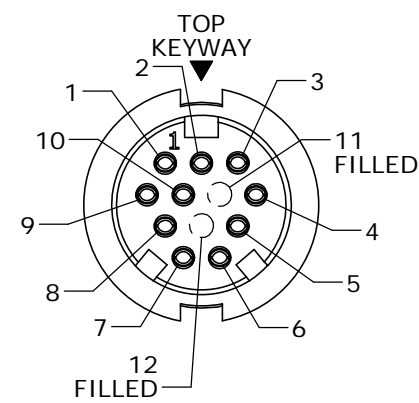
COUPLING RING MAT'L: UV THERMOPLASTIC, BLACK



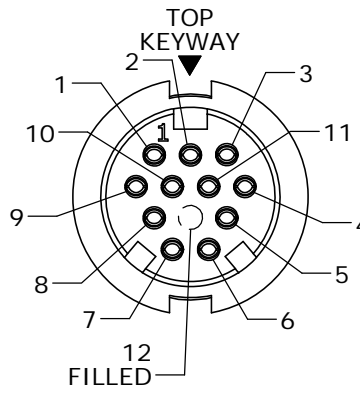
BACKSHELL MAT'L: UV THERMOPLASTIC, BLACK



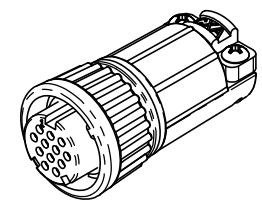
WIRE VIEW



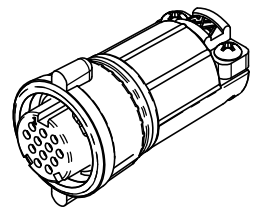
FACE VIEW W3280-10SG-5XX(W)



FACE VIEW W3280-11SG-5XX(W)



ASSEMBLED VIEW SHOWN WITH STANDARD COUPLING RING



ASSEMBLED VIEW SHOWN WITH WING COUPLING RING

CUSTOMER APPROVAL

THIS DOCUMENT CONTAINS CONFIDENTIAL INFORMATION PROPRIETARY TO CONXALL CORPORATION. ANY REPRODUCTION, DISCLOSURE, OR USE OF THIS DOCUMENT /INFORMATION IS EXPRESSLY PROHIBITED UNLESS AUTHORIZED IN WRITING BY CONXALL CORPORATION.

APPROVED BY: _____
 DATE: _____

A	PAK	08/15/19	DRAWING CREATED AND RELEASED PER DOR 10-2523JS-1
REV.	INIT.	DATE	DESCRIPTION
	PAK	10/01/14	
ALL INFORMATION ILLUSTRATED IS THE PROPERTY OF "CONXALL CORPORATION". UNAUTHORIZED DUPLICATION OR DISTRIBUTION OF THIS DOCUMENT IS PROHIBITED.			601 E. WILDWOOD VILLA PARK, IL 60181
ALL UNITS ARE IN FEET, INCHES, FRACTIONS OF INCHES AND DECIMALS. UNLESS OTHERWISE SPECIFIED TOLERANCES: 3 PLACE DECIMALS ±.005 ANGLES ±1° FRACTIONS ±1/16			
APPROVED BY:		TITLE: CABLE CONNECTOR KIT	
CHECKED BY:		#20 SOCKET CONTACTS (CRIMP), BACKSHELL CLAMP MULTI-CON-X, E-KEY, WEATHER RESISTANT STANDARD PRODUCT	
SCALE	SIZE	SHEET	CUSTOMER:
NTS	B	1 OF 1	W3280-1XSG-5XX
FILE:	DIRECTORY:	PART NUMBER:	REV
W3280-1XSG-5XX	SLW	W3280-1XSG-5XX	A