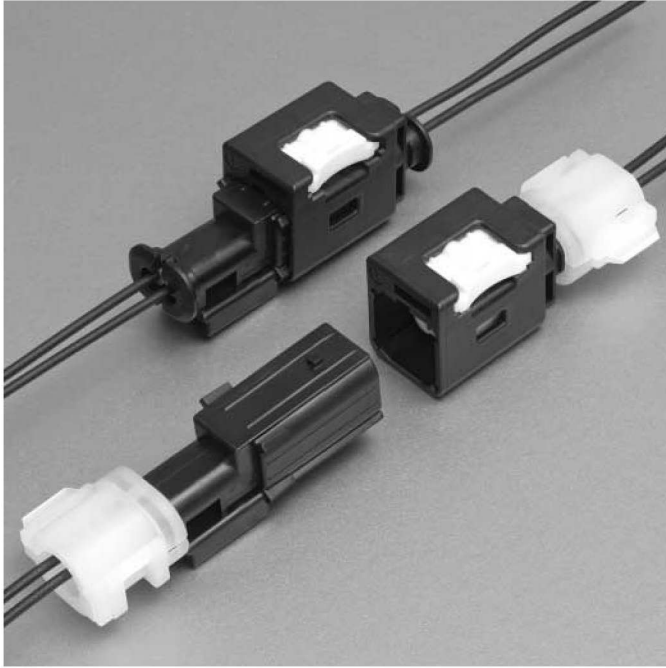


# FAB CONNECTOR

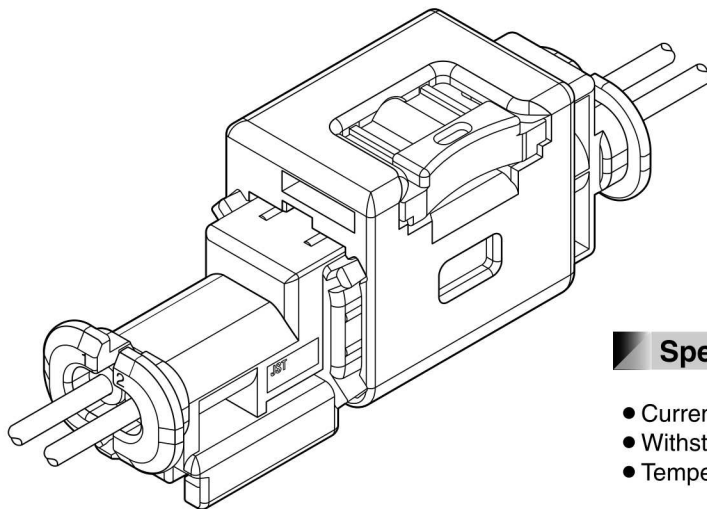
## Wire-to-wire/Sealed connector



### Features

- **0.64 mm Single Sealed Connector**
- **Anti Vibration Mechanism**  
High reliability rigid connector enables to keep higher durability at shock and vibrated environment.
- **Fool Proof Systems**  
Compression spring prevents half-connecting.

0.64 mm single sealed wire-to-wire connector with rigid design and spring lock mechanism. Spring force prevents half-mating during mating and keeps constant rigid connection between male and female connector.

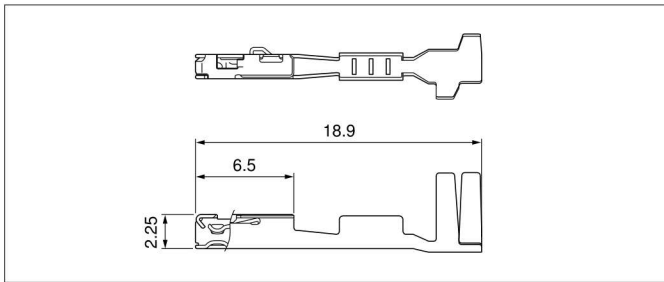


### Specifications

- Current rating: 5 A DC max.
- Withstanding voltage: 1,000 VAC/minute
- Temperature range: -40°C to +120°C  
(including temperature rise in applying electrical current)
- Contact resistance: Initial value/ 10 mΩ max.  
After environmental tests/ 20 mΩ max.
- Insulation resistance: Initial value/ 250 MΩ min.  
After environmental tests/ 100 MΩ min.
- Applicable wire: AESSXF 0.5 mm<sup>2</sup>

- \* Compliant with ELV/RoHS2.
- \* Contact JST for details.

## Female terminal

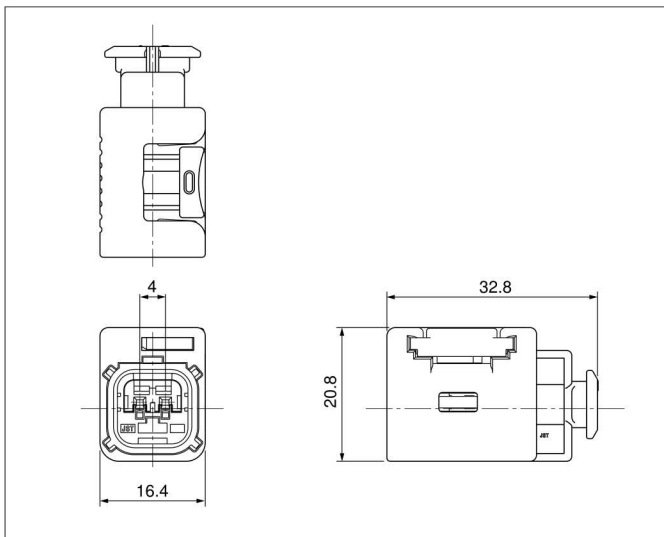


Model No.	Applicable wire range		Q'ty/reel
	Conductor (mm <sup>2</sup> )	Insulation O.D. (mm)	
<b>SAITS-A03GF-M064</b>	0.5	1.6 to 1.7	3,500

### Material and Finish

Copper alloy, nickel-undercoated, Contact area; gold-plated  
Barrel area; tin-plated

## Female connector

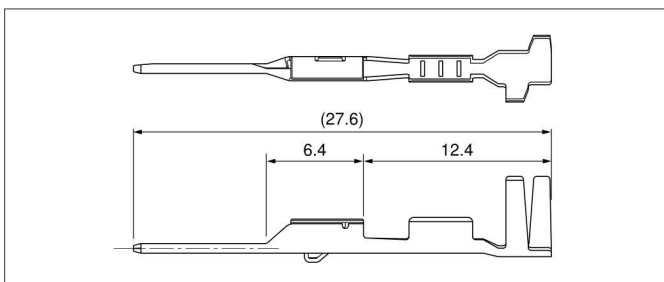


Circuits	Model No.	Q'ty/box
2	<b>FABRB-02-1A-K</b>	125

### Material and Finish

Housing: Glass-filled PBT, Black  
Slider: Glass-filled PBT, Natural (White)  
Retainer: Glass-filled PBT, Natural (White)  
Spring: SUS  
Inner seal: Silicone

## Male terminal

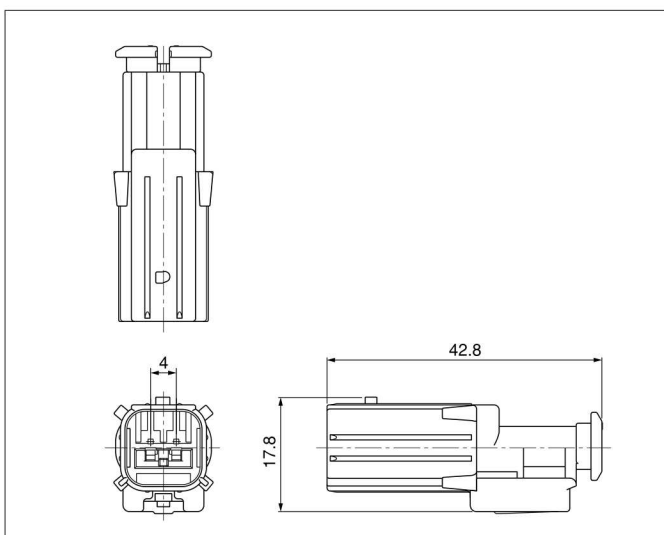


Model No.	Applicable wire range		Q'ty/reel
	Conductor (mm <sup>2</sup> )	Insulation O.D. (mm)	
<b>SAITWS-A03GF-064</b>	0.5	1.6 to 1.7	3,500

### Material and Finish

Brass, nickel-undercoated, Contact area; gold-plated  
Barrel area; tin-plated

## Male connector



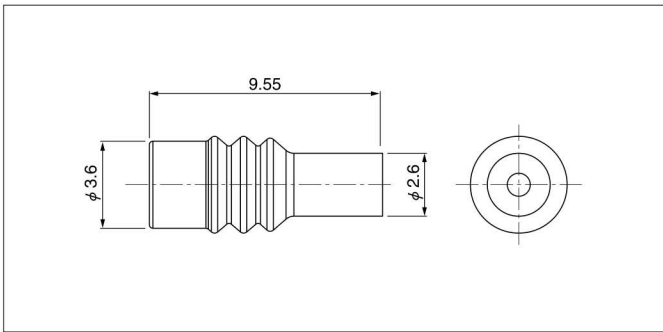
Circuits	Model No.	Q'ty/box
2	<b>FABPB-02-2BA-K</b>	125

### Material and Finish

Housing: PA, Black  
Retainer: Glass-filled PBT, Natural (White)

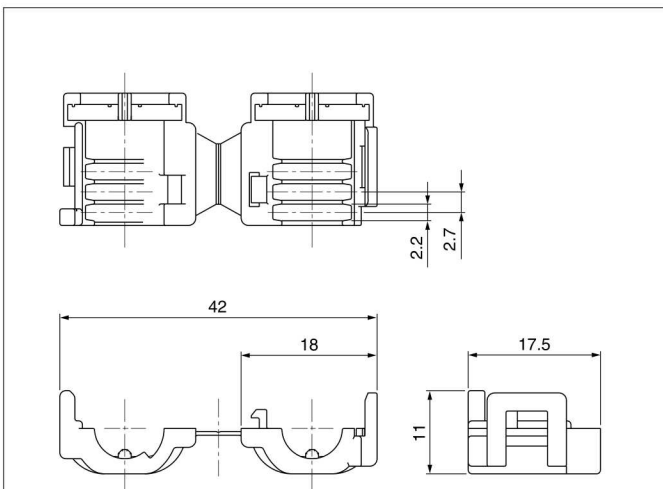
# FAB CONNECTOR

## Wire seal



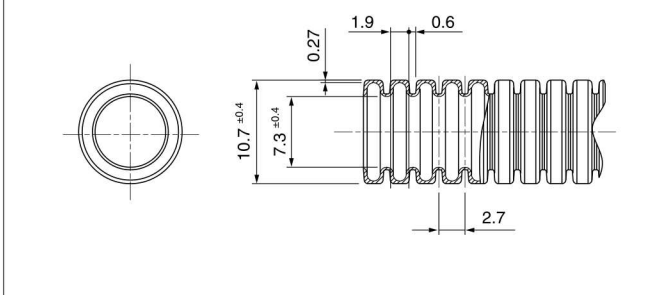
Model No.	Applicable wire range		Q'ty/box
	Conductor (mm <sup>2</sup> )	Insulation O.D. (mm)	
<b>A03WS-SAB-N</b>	0.5	1.6 to 1.7	10,000
Material and Finish			
Silicone			

## Cover

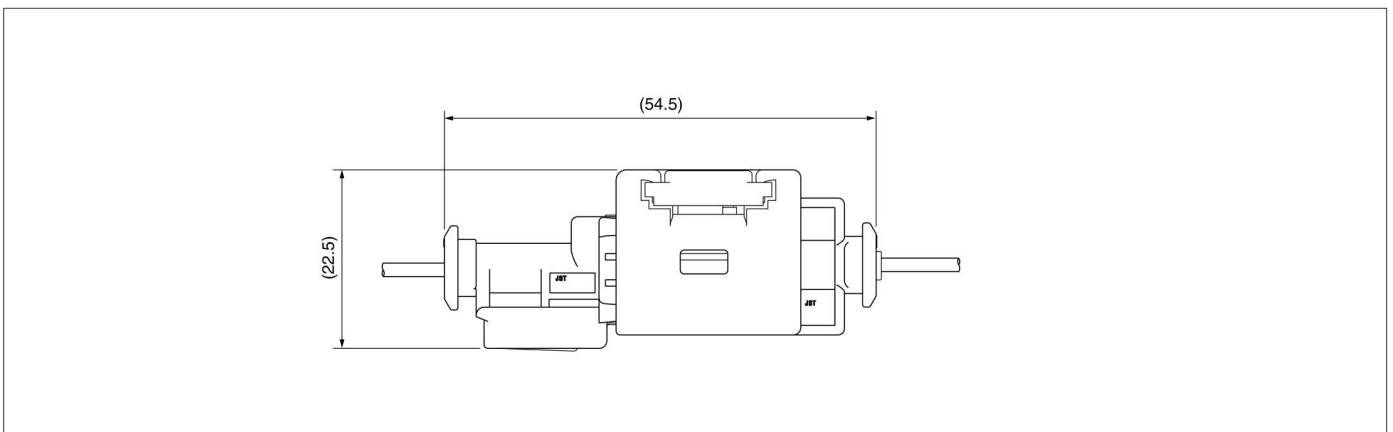


Model No.	Q'ty/box
<b>SABC-02-1A-W</b>	200
Material and Finish	
PP, Natural (White)	

## Recommended corrugate tube layout

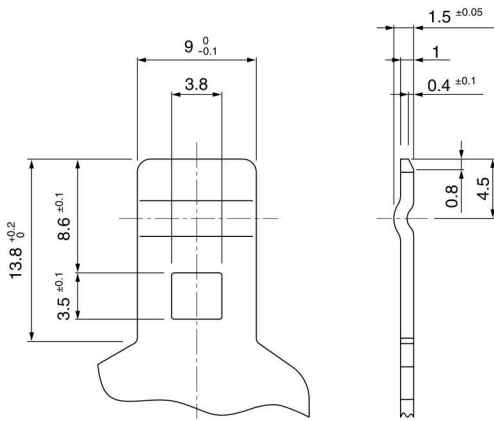


## Assembly layout

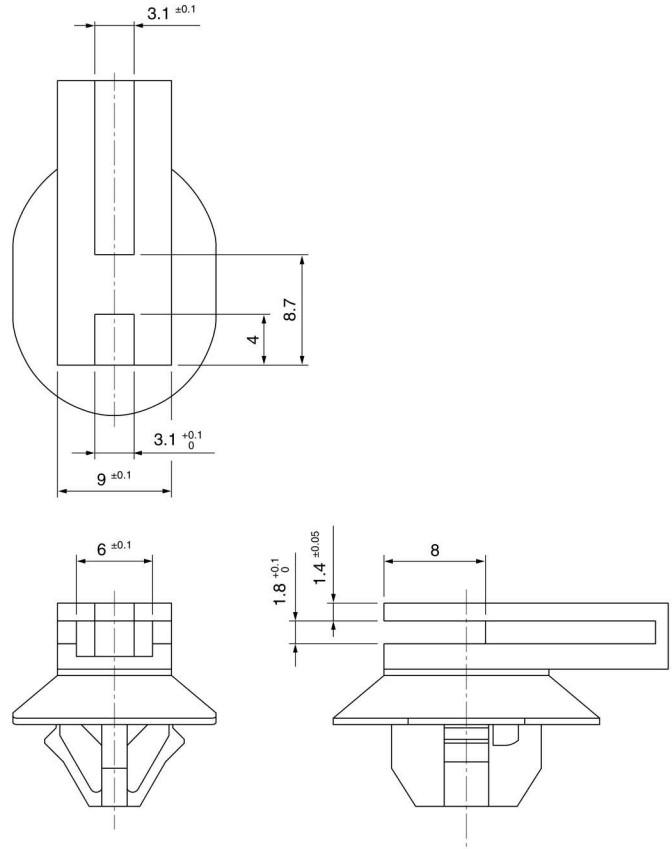


## Clip layout

### Recommended bracket layout



### Recommended clip layout



Note: 1. The dimensions above should serve as guideline. Contact JST for details.  
2. JST recommends to use clip which is made of PA.

## Crimping machine, Applicator

Strip terminal	Crimping machine	Crimp applicator MKS-L	
		Dies	Crimp applicator with dies
<b>SAITS-A03GF-M064</b>	AP-K2N	MK/SAITS-A03-064	APLMK SAITS-A03-064
<b>SAITWS-A03GF-064</b>		MK/SAITWS-A03-064	APLMK SAITWS-A03-064

Note: When crimping operation is conducted using an applicator and die set other than the above, JST cannot guarantee the performance of the terminal.