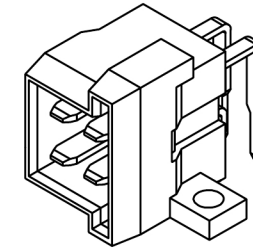
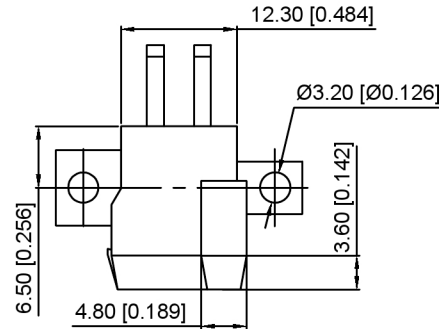
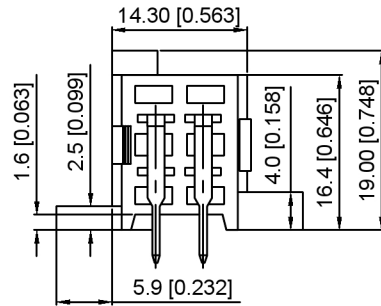


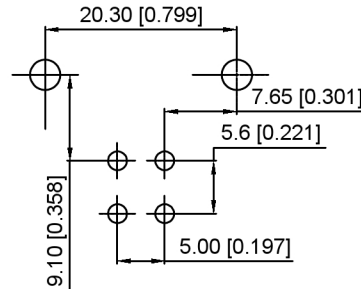
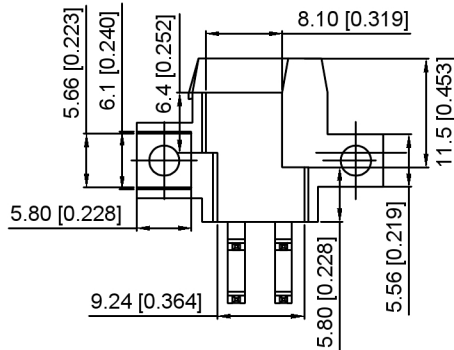
SEC:A-A

Current rating:25A AC/DC  
 额定电流: 25A AC/DC  
 Temperature range:-40°C~+125°C  
 温度范围: -40°C~+125°C



**K 828801 W R - 2xXX - PT SN**  
 ① ② ③ ④ ⑤ ⑥ ⑦

- 1.K: XKBTEK-Car Connector
- 2.XKB Series No
- 3.Category:W-Wafer
- 4.Welding Board Range:R-Stright 90°
- 5.Row No.Pin No:2xXX-2x02 Pin
- 6.Material:PT-PBT+GF15+V0
- 7.Palting:SN-Plated Tin



K828801WR-2xXX-PTS	PBT	Brass	K828801H
PART NO	Material	Material(Pin)	Suitable XKB Housing

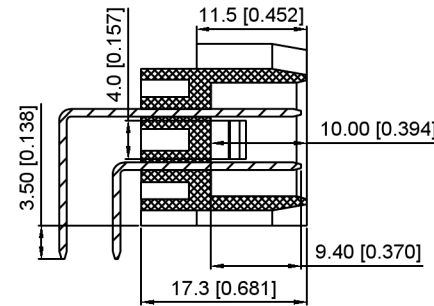
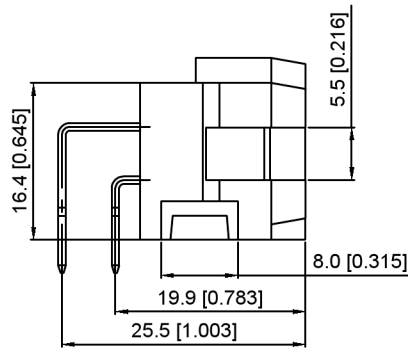
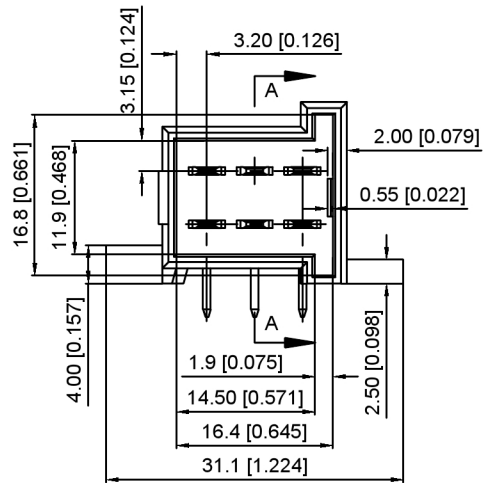
DSND	SCALE: N/A	MODEL TYPE: 5.0mm Automobile connector
DWN	VIEW:	PART NO.: K828801WR-2xXX-PTS
CHKD	UNIT: mm/in	DWG NO.: X-K828801WR-2xXX-PTS
APPD	SIZE: A4	WEIGHT
		SHEET
		REVISION



XKB INDUSTRIAL PRECISION CO.,LIMITED

ANGLAR	±5°
L ≤ 4	±0.2
4 < L ≤ 16	±0.3
16 < L ≤ 63	±0.4
L > 63	±0.5

UNSPECIFIED TOLERANCES

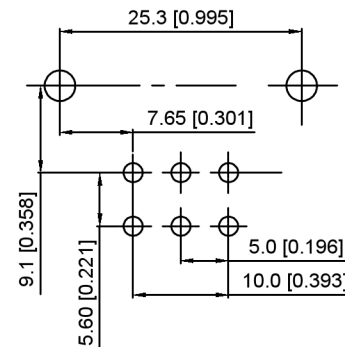
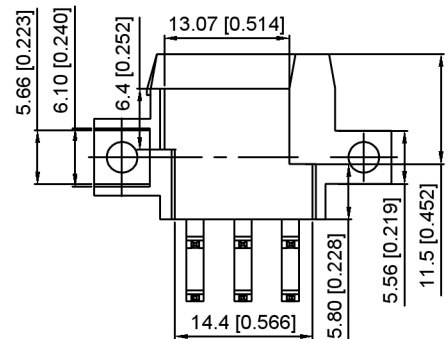
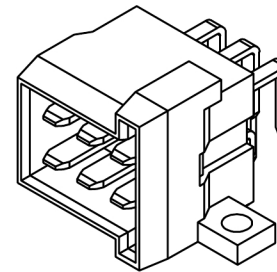
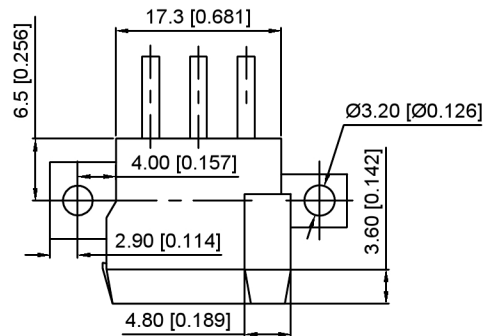
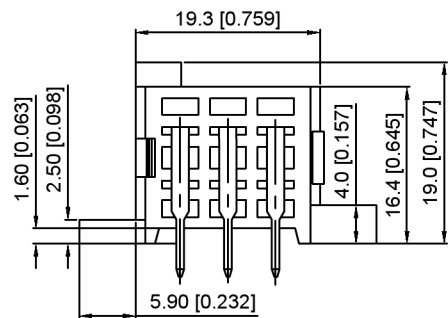


SEC:A-A

Current rating:25A AC/DC  
 额定电流: 25A AC/DC  
 Temperature range:-40°C-+125°C  
 温度范围: -40°C-+125°C

**K 828801 W R - 2xXX - PT SN**  
 ① ② ③ ④ ⑤ ⑥ ⑦

- 1.K: XKBTEK-Car Connector
- 2.XKB Series No
- 3.Category:W-Wafer
- 4.Welding Board Range:R-Stright 90°
- 5.Row No.Pin No:2xXX-2x03 Pin
- 6.Material:PT-PBT+GF15+V0
- 7.Palting:SN-Plated Tin



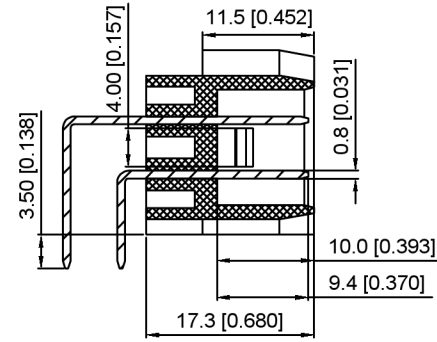
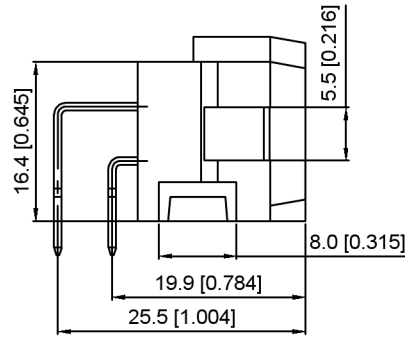
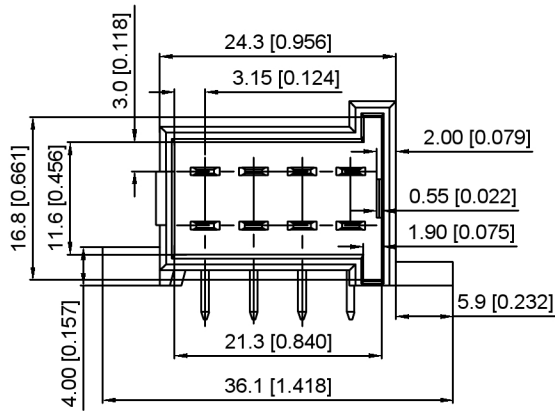
K828801WR-2xXX-PTSN	PBT	Brass	K828801H
PART NO	Material	Material(Pin)	Suitable XKB Housing

DSND	SCALE: N/A	MODEL TYPE: 5.0mm Automobile connector
DWN	VIEW:	PART NO.: K828801WR-2xXX-PTSN
CHKD	UNIT: mm/in	DWG NO.: X-K828801WR-2xXX-PTSN
APPD	SIZE: A4	WEIGHT SHEET REVISION
		1/1 A0



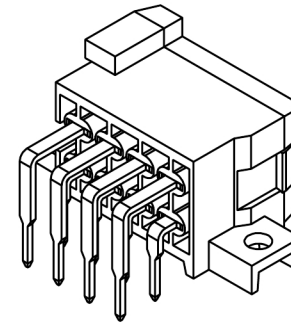
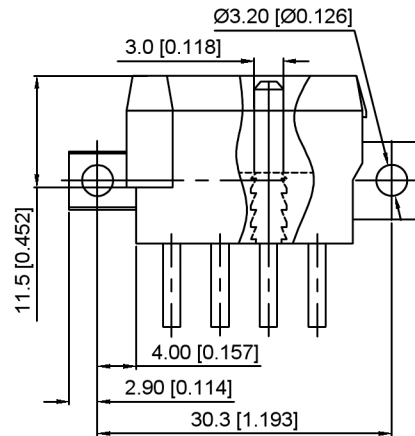
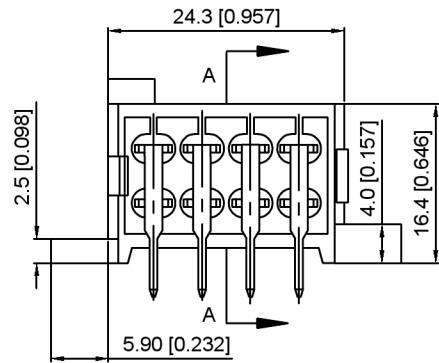
XKB INDUSTRIAL PRECISION CO., LIMITED

ANGLAR	±5°
L ≤ 4	±0.2
4 < L ≤ 16	±0.3
16 < L ≤ 63	±0.4
L > 63	±0.5
UNSPECIFIED TOLERANCES	



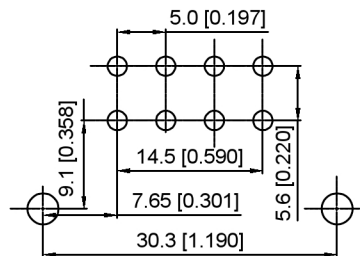
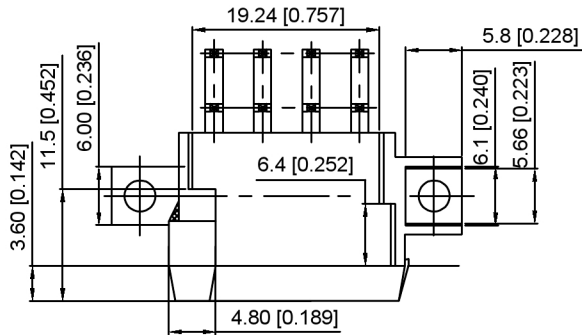
SEC:A-A

Current rating:25A AC/DC  
 额定电流: 25A AC/DC  
 Temperature range:-40°C-+125°C  
 温度范围: -40°C-+125°C



K 828801 W R - 2xXX - PT SN  
 ① ② ③ ④ ⑤ ⑥ ⑦

- 1.K: XKBTEK-Car Connector
- 2.XKB Series No
- 3.Category:W-Wafer
- 4.Welding Board Range:R-Stright 90°
- 5.Row No.Pin No:2xXX-2x04 Pin
- 6.Material:PT-PBT+GF30
- 7.Palting:SN-Plated Tin



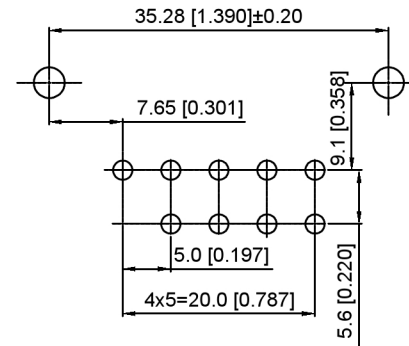
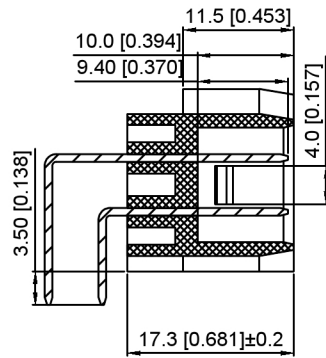
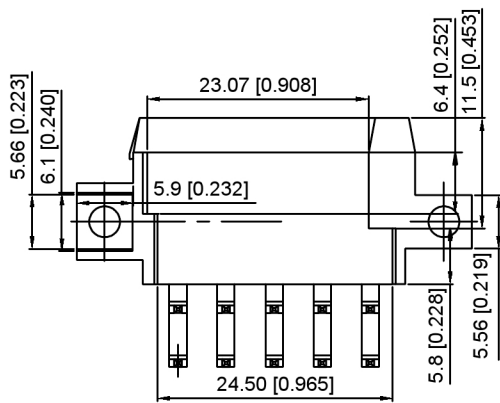
K828801WR-2xXX-PTS	PBT	Brass	K828801H
PART NO	Material	Material(Pin)	Suitable XKB Housing

DSND	SCALE: N/A	MODEL TYPE: 5.0mm Automobile connector
DWN	VIEW:	PART NO.: K828801WR-2xXX-PTS
CHKD	UNIT: mm/in	DWG NO.: X-K828801WR-2xXX-PTS
APPD	SIZE: A4	WEIGHT SHEET REVISION
		1/1 A0



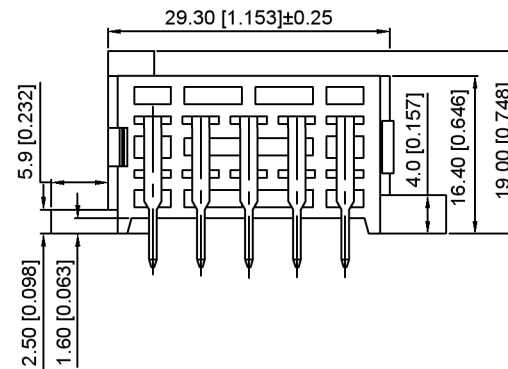
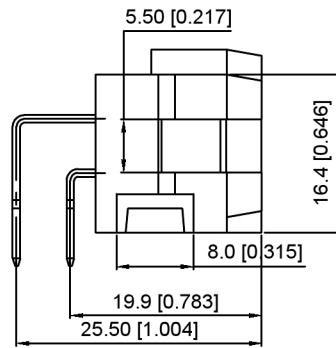
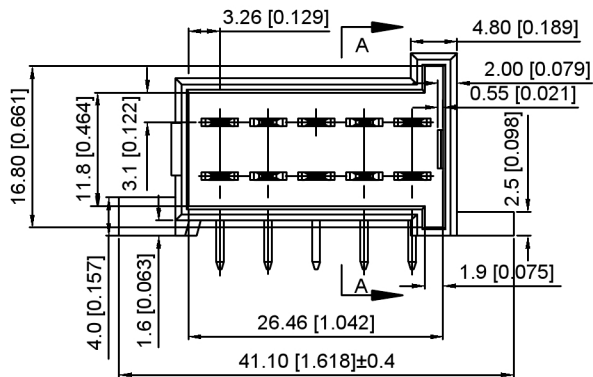
XKB INDUSTRIAL PRECISION CO.,LIMITED

ANGLAR	±5°
L ≤ 4	±0.2
4 < L ≤ 16	±0.3
16 < L ≤ 63	±0.4
L > 63	±0.5
UNSPECIFIED TOLERANCES	



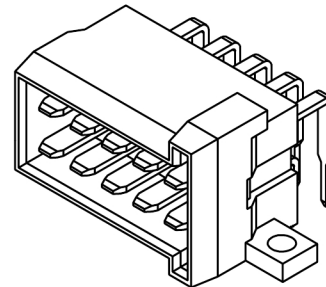
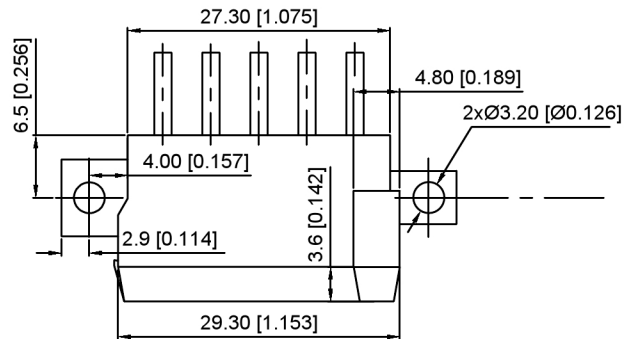
SEC:A-A

Current rating:25A AC/DC  
 额定电流: 25A AC/DC  
 Temperature range:-40°C~+125°C  
 温度范围: -40°C~+125°C



**K 828801 W R - 2xXX - PT SN**  
 ① ② ③ ④ ⑤ ⑥ ⑦

- 1.K: XKBTEK-Car Connector
- 2.XKB Series No
- 3.Category:W-Wafer
- 4.Welding Board Range:R-Stright 90°
- 5.Row No.Pin No:2xXX-2x05 Pin
- 6.Material:PT-PBT+GF15+V0
- 7.Palting:SN-Plated Tin



K828801WR-2xXX-PTS	PBT	Brass	K828801H
PART NO	Material	Material(Pin)	Suitable XKB Housing

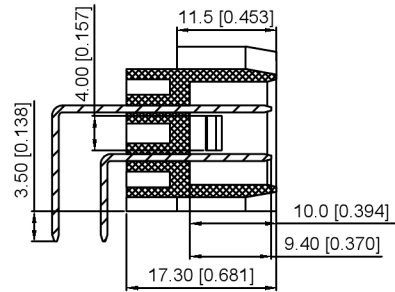
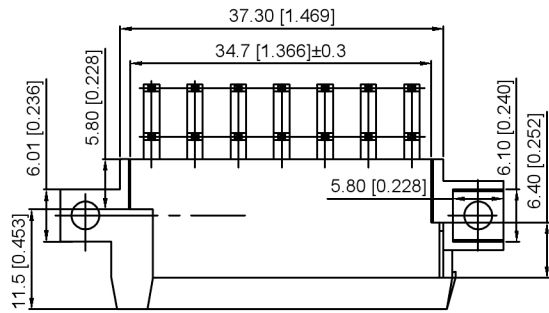
DSND	SCALE: N/A	MODEL TYPE: 5.0mm Automobile connector
DWN	VIEW:	PART NO.: K828801WR-2xXX-PTS
CHKD	UNIT: mm/in	DWG NO.: X-K828801WR-2xXX-PTS
APPD	SIZE: A4	

					ANGULAR	±5°
ΔX					L ≤ 4	±0.2
ΔX					4 < L ≤ 16	±0.3
ΔX					16 < L ≤ 63	±0.4
MARK	DESCRIPTION	DATE	REVISED	APPROVED	L > 63	±0.5
REVISIONS					UNSPECIFIED TOLERANCES	

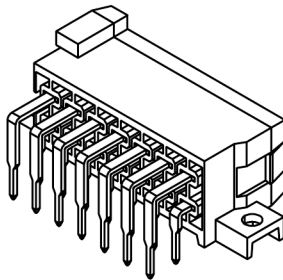
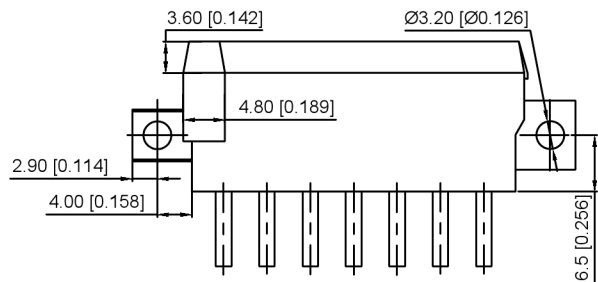
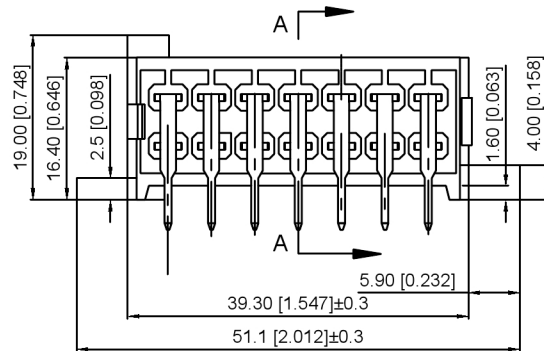
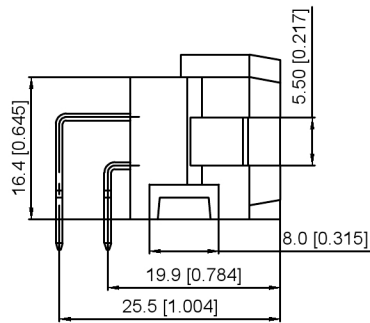
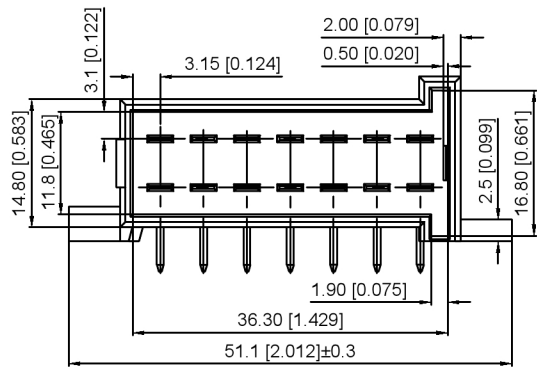
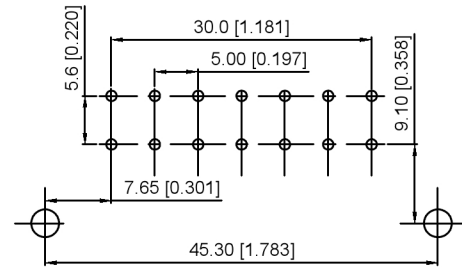


XKB INDUSTRIAL PRECISION CO., LIMITED

WEIGHT	SHEET	REVISION
	1/1	A0



SEC:A-A



Current rating:25A AC/DC  
 额定电流: 25A AC/DC  
 Temperature range:-40℃-+125℃  
 温度范围: -40℃-+125℃

**K 828801 W R - 2xXX - PT SN**  
 ① ② ③ ④ ⑤ ⑥ ⑦

- 1.K: XKBTEK-Car Connector
- 2.XKB Series No
- 3.Category:W-Wafer
- 4.Welding Board Angle:R-Stright 90°
- 5.Row No.Pin No:2xXX-2x07 Pin
- 6.Material:PT-PBT+GF15+V0
- 7.Palting:SN-Plated Tin

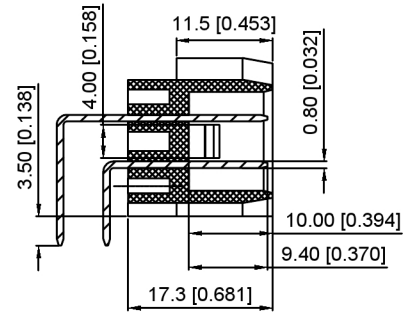
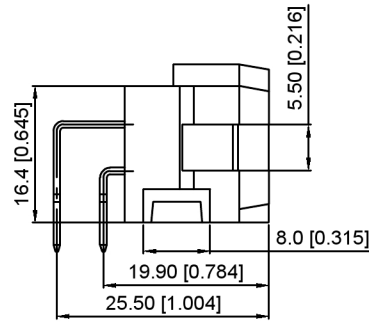
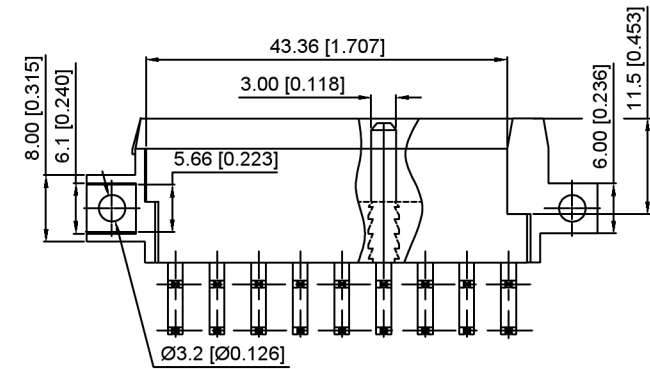
K828801WR-2xXX-PTSN	PBT	Brass	K828801H
PART NO	Material	Material(Pin)	Suitable XKB Housing

					ANGULAR	±5°
ΔX					L≤ 4	±0.2
ΔX					4<L≤ 16	±0.3
ΔX					16<L≤ 63	±0.4
MARK					L> 63	±0.5
	DESCRIPTION	DATE	REVISED	APPROVED	UNSPECIFIED TOLERANCES	
	REVISIONS					
www.helloxkb.com www.helloxkb.cn www.xk-dg.cn						

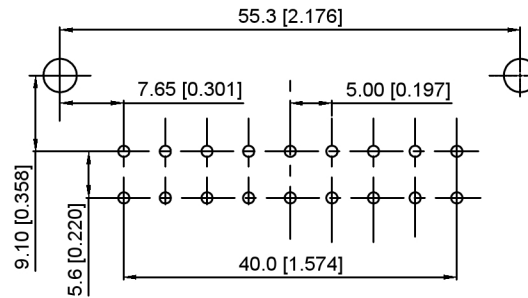
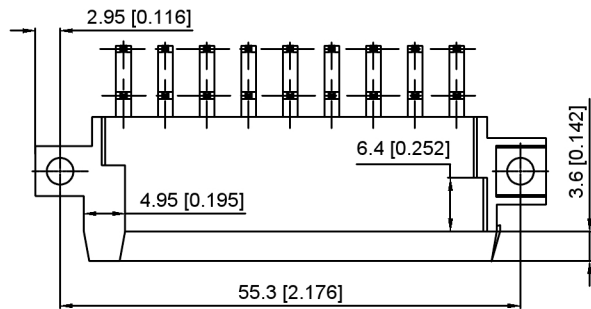
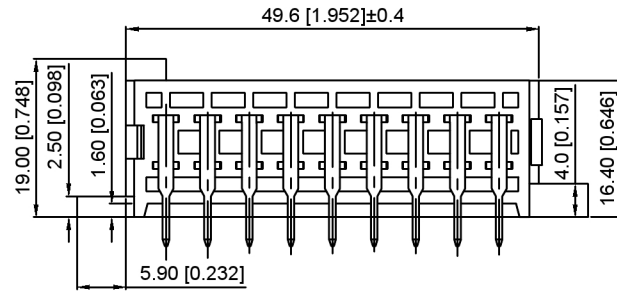
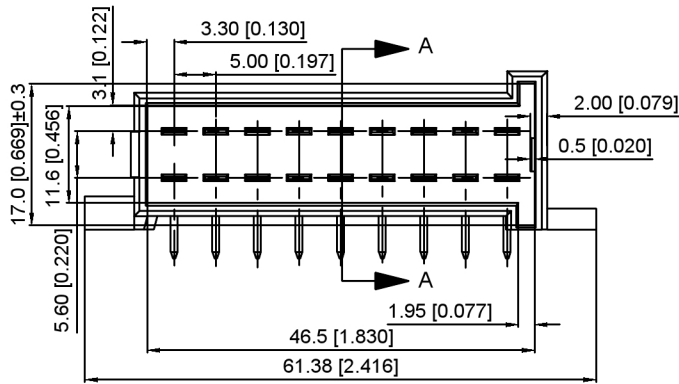


XKB INDUSTRIAL PRECISION CO.,LIMITED

DSND		SCALE: N/A	MODEL TYPE: 5.0mm Automobile connector
DWN		VIEW:	PART NO.: K828801WR-2xXX-PTSN
CHKD		UNIT: mm/in	DWG NO.: X-K828801WR-2xXX-PTSN
APPD		SIZE: A4	WEIGHT SHEET REVISION 1/1 A0

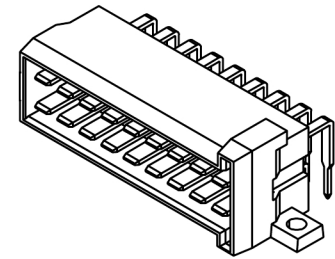


Current rating: 25A AC/DC  
 额定电流: 25A AC/DC  
 Temperature range: -40°C~+125°C  
 温度范围: -40°C~+125°C



**K 828801 W R - 2xXX - PT SN**  
 ① ② ③ ④ ⑤ ⑥ ⑦

- 1.K: XKBTEK-Car Connector
- 2.XKB Series No
- 3.Category:W-Wafer
- 4.Welding Board Range:R-Stright 90°
- 5.Row No.Pin No:2xXX-2x09 Pin
- 6.Material:PT-PBT+GF30
- 7.Palting:SN-Plated Tin



K828801WR-2xXX-PTSN	PBT	Brass	K828801H
PART NO	Material	Material(Pin)	Suitable XKB Housing

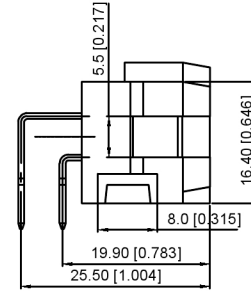
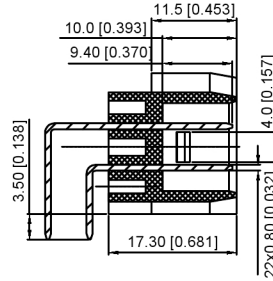
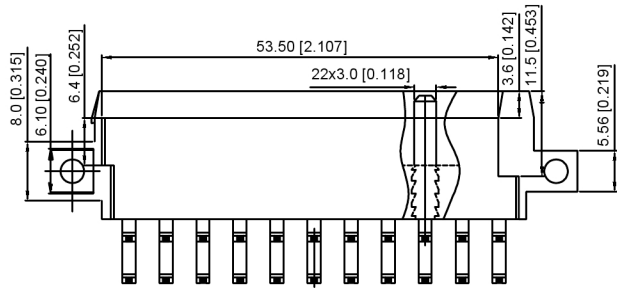
DSND	SCALE: N/A	MODEL TYPE: 5.0mm Automobile connector
DWN	VIEW:	PART NO.: K828801WR-2xXX-PTSN
CHKD	UNIT: mm/in	DWG NO.: X-K828801WR-2xXX-PTSN
APPD	SIZE: A4	



XKB INDUSTRIAL PRECISION CO., LIMITED

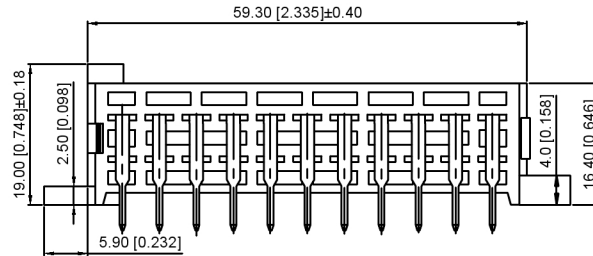
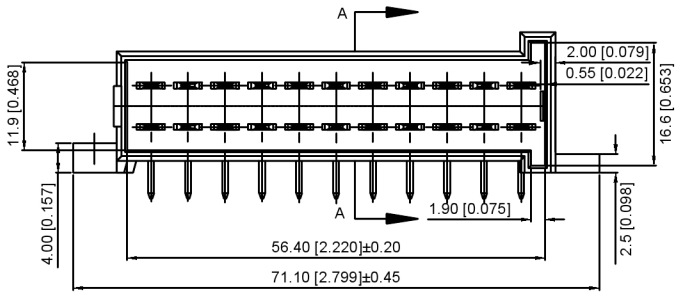
WEIGHT	SHEET	REVISION
	1/1	A0

					ANGLAR	±5°
Δx					L ≤ 4	±0.2
Δx					4 < L ≤ 16	±0.3
Δx					16 < L ≤ 63	±0.4
MARK	DESCRIPTION	DATE	REVISED	APPROVED	L > 63	±0.5
REVISIONS					UNSPECIFIED TOLERANCES	
www.helloxkb.com www.helloxkb.cn www.xk-dg.cn						



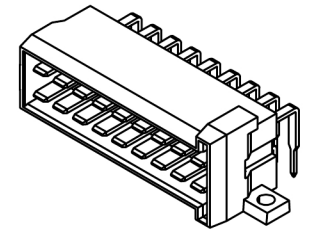
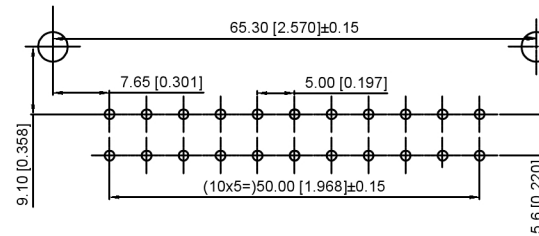
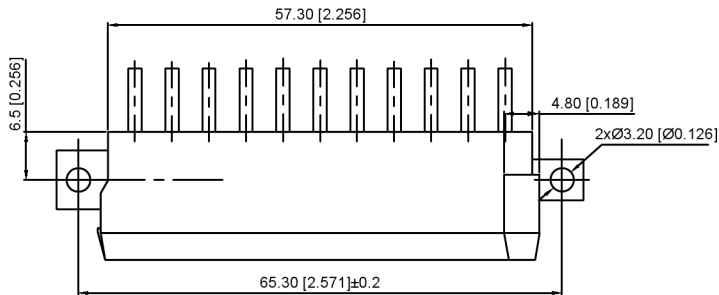
SEC:A-A

Current rating:25A AC/DC  
 额定电流: 25A AC/DC  
 Temperature range:-40°C~+125°C  
 温度范围: -40°C~+125°C



K 828801 W R - 2xXX - PT SN  
 ① ② ③ ④ ⑤ ⑥ ⑦

- 1.K: XKBTEK-Car Connector
- 2.XKB Series No
- 3.Category:W-Wafer
- 4.Welding Board Range:R-Straight 90°
- 5.Row No.Pin No:2xXX-2x11 Pin
- 6.Material:PT-PBT+GF30
- 7.Patting:SN-Plated Tin



K828801WR-2xXX-PTSN	PBT	Brass	K828801H
PART NO	Material	Material(Pin)	Suitable XKB Housing

DSND	SCALE: N/A	MODEL TYPE: 5.0mm Automobile connector
DWN	VIEW:	PART NO.: K828801WR-2xXX-PTSN
CHKD	UNIT: mm/in	DWG NO.: X-K828801WR-2xXX-PTSN
APPD	SIZE: A4	



XKB INDUSTRIAL PRECISION CO., LIMITED

WEIGHT	SHEET	REVISION
	1/1	A0

					ANGULAR	±5°
ΔX					L ≤ 4	±0.2
ΔX					4 < L ≤ 16	±0.3
ΔX					16 < L ≤ 63	±0.4
MARK	DESCRIPTION	DATE	REVISED	APPROVED	L > 63	±0.5

REVISIONS

UNSPECIFIED TOLERANCES