

# HiQ-CBR Automotive Series, EIA 0603 Case Size, COG Dielectric



## Sample Kit Contents

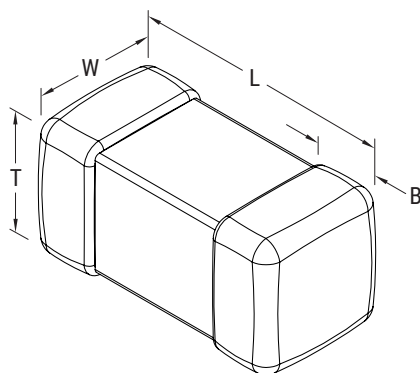
KEMET Part Number	Case Size	Capacitance	Cap Tolerance	Rated Voltage	Dielectric	Quantity
	EIA/Metric	(pF)		(V)		
CBR06C208B5GACAUTO	0603 / 1608	0.2	±0.10 pF	50	COG	50
CBR06C308B5GACAUTO	0603 / 1608	0.3	±0.10 pF	50	COG	50
CBR06C408B5GACAUTO	0603 / 1608	0.4	±0.10 pF	50	COG	50
CBR06C508B5GACAUTO	0603 / 1608	0.5	±0.10 pF	50	COG	50
CBR06C608B5GACAUTO	0603 / 1608	0.6	±0.10 pF	50	COG	50
CBR06C708B5GACAUTO	0603 / 1608	0.7	±0.10 pF	50	COG	50
CBR06C808B5GACAUTO	0603 / 1608	0.8	±0.10 pF	50	COG	50
CBR06C908B5GACAUTO	0603 / 1608	0.9	±0.10 pF	50	COG	50
CBR06C109B5GACAUTO	0603 / 1608	1.0	±0.10 pF	50	COG	50
CBR06C129B5GACAUTO	0603 / 1608	1.2	±0.10 pF	50	COG	50
CBR06C159B5GACAUTO	0603 / 1608	1.5	±0.10 pF	50	COG	50
CBR06C189B5GACAUTO	0603 / 1608	1.8	±0.10 pF	50	COG	50
CBR06C209B5GACAUTO	0603 / 1608	2.0	±0.10 pF	50	COG	50
CBR06C229B5GACAUTO	0603 / 1608	2.2	±0.10 pF	50	COG	50
CBR06C279B5GACAUTO	0603 / 1608	2.7	±0.10 pF	50	COG	50
CBR06C309B5GACAUTO	0603 / 1608	3.0	±0.10 pF	50	COG	50
CBR06C339B5GACAUTO	0603 / 1608	3.3	±0.10 pF	50	COG	50
CBR06C399B5GACAUTO	0603 / 1608	3.9	±0.10 pF	50	COG	50
CBR06C409B5GACAUTO	0603 / 1608	4.0	±0.10 pF	50	COG	50
CBR06C479B5GACAUTO	0603 / 1608	4.7	±0.10 pF	50	COG	50
CBR06C509C5GACAUTO	0603 / 1608	5.0	±0.25 pF	50	COG	50
CBR06C569C5GACAUTO	0603 / 1608	5.6	±0.25 pF	50	COG	50
CBR06C609C5GACAUTO	0603 / 1608	6.0	±0.25 pF	50	COG	50
CBR06C689C5GACAUTO	0603 / 1608	6.8	±0.25 pF	50	COG	50
CBR06C709C5GACAUTO	0603 / 1608	7.0	±0.25 pF	50	COG	50
CBR06C759C5GACAUTO	0603 / 1608	7.5	±0.25 pF	50	COG	50
CBR06C809C5GACAUTO	0603 / 1608	8.0	±0.25 pF	50	COG	50
CBR06C829C5GACAUTO	0603 / 1608	8.2	±0.25 pF	50	COG	50
CBR06C909C5GACAUTO	0603 / 1608	9.0	±0.25 pF	50	COG	50
CBR06C100J5GACAUTO	0603 / 1608	10.0	±5%	50	COG	50
KEMET Part Number	Case Size	Capacitance	Cap Tolerance	Rated Voltage	Dielectric	Quantity

Built Into Tomorrow

## Sample Kit Contents cont.

KEMET Part Number	Case Size	Capacitance	Cap Tolerance	Rated Voltage	Dielectric	Quantity
	EIA/Metric	(pF)		(V)		
CBR06C120J5GACAUTO	0603 / 1608	12.0	±5%	50	COG	50
CBR06C150J5GACAUTO	0603 / 1608	15.0	±5%	50	COG	50
CBR06C180J5GACAUTO	0603 / 1608	18.0	±5%	50	COG	50
CBR06C220J5GACAUTO	0603 / 1608	22.0	±5%	50	COG	50
CBR06C270J5GACAUTO	0603 / 1608	27.0	±5%	50	COG	50
CBR06C330J5GACAUTO	0603 / 1608	33.0	±5%	50	COG	50
CBR06C390J5GACAUTO	0603 / 1608	39.0	±5%	50	COG	50
CBR06C470J5GACAUTO	0603 / 1608	47.0	±5%	50	COG	50
CBR06C560J5GACAUTO	0603 / 1608	56.0	±5%	50	COG	50
CBR06C680J5GACAUTO	0603 / 1608	68.0	±5%	50	COG	50
CBR06C820J5GACAUTO	0603 / 1608	82.0	±5%	50	COG	50
CBR06C101J5GACAUTO	0603 / 1608	100.0	±5%	50	COG	50
KEMET Part Number	Case Size	Capacitance	Cap Tolerance	Rated Voltage	Dielectric	Quantity

## Dimensions – Millimeters (Inches)



EIA Size Code	Metric Size Code	L Length	W Width	T Thickness	B Bandwidth	Mounting Technique
0603	1608	1.60 ±0.10 (0.063 ±0.004)	0.80 ±0.10 (0.031 ±0.004)	0.80 ±0.1 (0.031 ±0.004)	0.40 ±0.20 (0.016 ±0.008)	Solder Wave or Solder Reflow

## KEMET Electronics Corporation Sales Offices

For a complete list of our global sales offices, please visit [www.kemet.com/sales](http://www.kemet.com/sales).

---

### Disclaimer

YAGEO Corporation and its affiliates do not recommend the use of commercial or automotive grade products for high reliability applications or manned space flight.

All product specifications, statements, information and data (collectively, the "Information") in this datasheet are subject to change. The customer is responsible for checking and verifying the extent to which the Information contained in this publication is applicable to an order at the time the order is placed. All Information given herein is believed to be accurate and reliable, but it is presented without guarantee, warranty, or responsibility of any kind, expressed or implied.

Statements of suitability for certain applications are based on KEMET Electronics Corporation's ("KEMET") knowledge of typical operating conditions for such applications, but are not intended to constitute – and KEMET specifically disclaims – any warranty concerning suitability for a specific customer application or use. The Information is intended for use only by customers who have the requisite experience and capability to determine the correct products for their application. Any technical advice inferred from this Information or otherwise provided by KEMET with reference to the use of KEMET's products is given gratis, and KEMET assumes no obligation or liability for the advice given or results obtained.

Although KEMET designs and manufactures its products to the most stringent quality and safety standards, given the current state of the art, isolated component failures may still occur. Accordingly, customer applications which require a high degree of reliability or safety should employ suitable designs or other safeguards (such as installation of protective circuitry or redundancies) in order to ensure that the failure of an electrical component does not result in a risk of personal injury or property damage.

Although all product-related warnings, cautions and notes must be observed, the customer should not assume that all safety measures are indicated or that other measures may not be required.

*KEMET is a registered trademark of KEMET Electronics Corporation.*