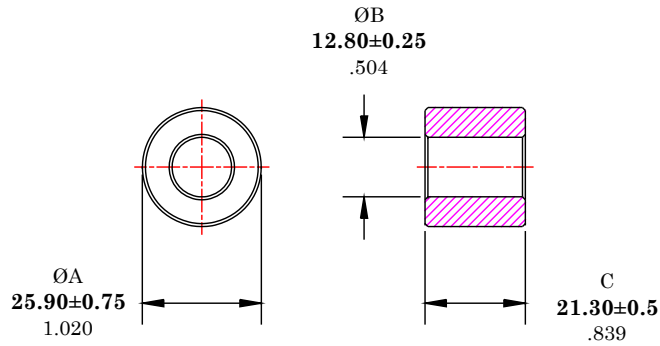


\*\* Not all features are shown in this drawing. For more detailed information, please contact your Fair-Rite representative.

UNCONTROLLED ~CATALOG~ DRAWING

SIZE	PART NO.	REV.
B	2643102402	~



DIMENSIONS  
**BOLD NUMBERS ARE IN MILLIMETERS**  
 LIGHT NUMBERS ARE IN INCHES

ELECTRICAL SPECIFICATIONS						
$\Sigma l/A (\text{mm}^{-1})$	$l_e (\text{mm})$	$A_e (\text{mm}^2)$	$V_e (\text{mm}^3)$	$L_o (\text{nH})$	IMPEDANCE (OHMS)	
					25 MHz	100 MHz
0.41853	56.0	134	7502	3.003	80 Min.	135 Min.
N=1 #22AWG WL=2.5"						

NOTES:

- 1 - BURNISH TO BREAK SHARP EDGES.
- 2 - IMPEDANCE MEASURED ON AN E4991A USING A 16092A TEST FIXTURE.

FR# 43

<b>FAIR-RITE PRODUCTS CORP.</b>					
TITLE ROUND SUPPRESSION CORE					
DRAWN BY D. FOOTE	DATE 2/24/2020	SIZE B	PART NO. 2643102402	REV. ~	
CHKD BY					
APPRVD BY		SCALE NONE	SHEET 1 of 1		