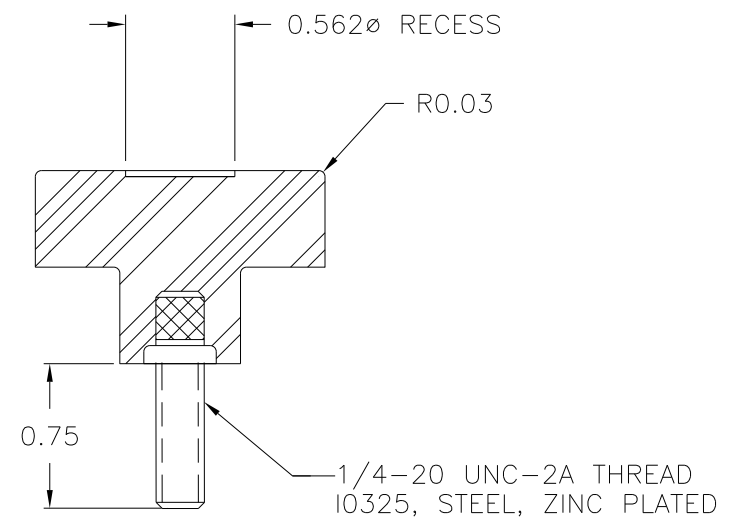
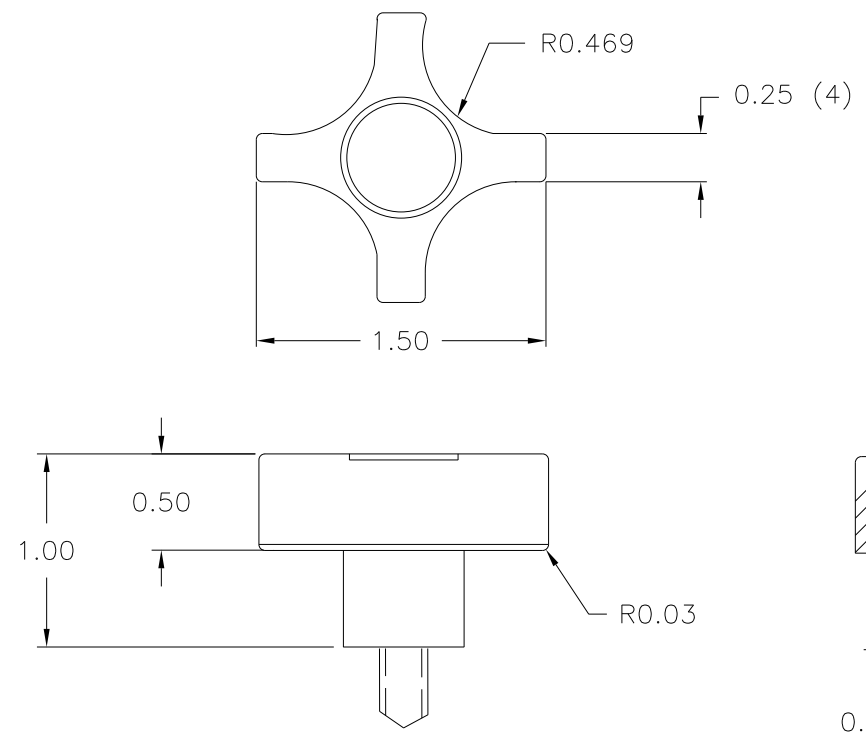


PART NAME: KNOB      SCALE: 1:1      DATE: 12/21/92      DR. BY HD

THIS DRAWING IS THE PROPERTY OF DAVIES MOLDING COMPANY, IS SUBMITTED SOLELY AS A DESIGN OR ENGINEERING PROJECT.  
 WE ACCEPT NO RESPONSIBILITY WHATSOEVER FOR THE PRACTICAL APPLICATION OF THE PIECES MADE TO THIS DESIGN.

3008-28
1/4x1/4x3/4
1/4x1/4x5/8



MATERIAL: G.P. PHENOLIC (B11)  
 COLOR: BLACK

TOLERANCES: UNLESS OTHERWISE SPECIFIED	DO NOT SCALE DRAWING			
DECIMALS: X.XXX ± .005 X.XX ± .015	MM: X.XX ± 0.15MM X.X ± 0.4MM			10/29/02
FRACTIONS ± 1/64	ANG. ± 1°	CHANGES		