

# AI 0,75- 8 BU-B - Ferrule

3201547

<https://www.phoenixcontact.com/us/products/3201547>

Please be informed that the data shown in this PDF document is generated from our online catalog. Please find the complete data in the user documentation. Our general terms of use for downloads are valid.

Ferrule, sleeve length: 8 mm, color: blue



## Your advantages

- The taped ferrules were developed specifically for the CF 3000-2,5 automatic crimping device
- Available in the main color ranges up to 2.5 mm<sup>2</sup>
- Can be used to wire all terminal blocks, especially those of the CLIPLINE complete system

## Commercial data

Item number	3201547
Packing unit	1,000 pc
Minimum order quantity	1,000 pc
Sales key	BH34
Product key	BH3414
Catalog page	Page 515 (C-3-2019)
GTIN	4017918126278
Weight per piece (including packing)	0.13 g
Weight per piece (excluding packing)	0.128 g
Customs tariff number	85369010
Country of origin	DE

# AI 0,75- 8 BU-B - Ferrule

3201547

<https://www.phoenixcontact.com/us/products/3201547>

## Technical data

### Product properties

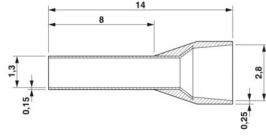
Product type	Cable end sleeve
Conductor category	stranded conductors, class 2, 5, 6 / B, C, K, M

### Connection data

#### Conductor connection

Conductor cross section flexible max.	0.75 mm <sup>2</sup>
Conductor cross section AWG max.	18
Stripping length	11 mm

### Dimensions

Dimensional drawing	
Sleeve length	8 mm
Maximum stripping length	11 mm
Ferrule diameter	1.3 mm
Sleeve wall thickness	0.15 mm
Insulating collar thickness	0.25 mm
Inner dimensions of the insulating collar	2.8 mm

### Material specifications

Color	blue
Material	CU-DHP
Flammability rating according to UL 94	HB
Coating	tin-plated (galvanic)
Components	free from silicone and halogen

### Mechanical properties

#### Technical data

Sleeve length	8 mm
---------------	------

### Environmental and real-life conditions

#### Ambient conditions

Permanent temperature	105 °C (-40 °C no load / 0 °C dynamic load)
Short-term temperature	120 °C

### Standards and regulations

# AI 0,75- 8 BU-B - Ferrule

3201547

<https://www.phoenixcontact.com/us/products/3201547>



Design according to standard

NFC 63-023

# AI 0,75- 8 BU-B - Ferrule

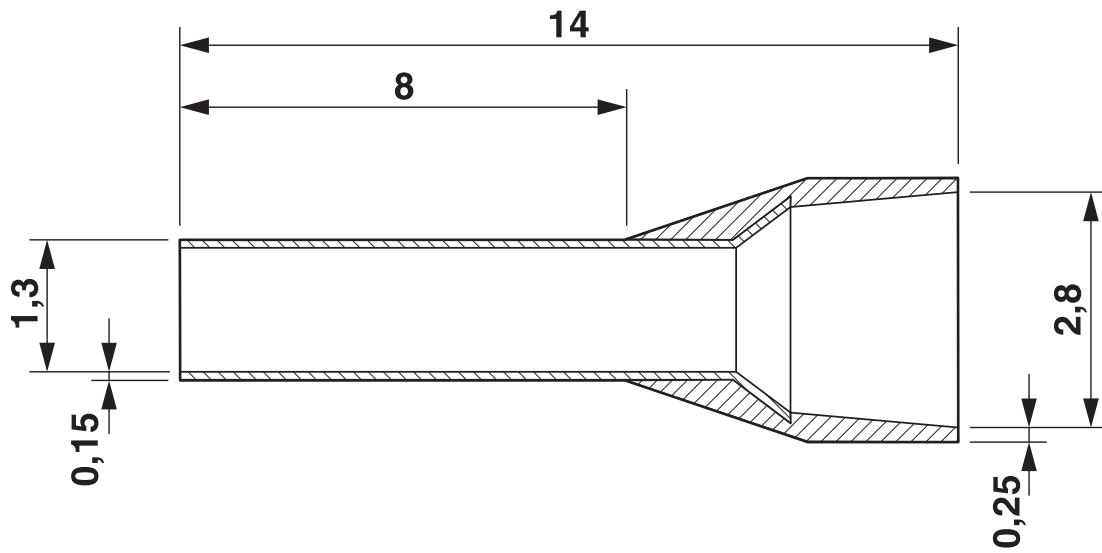
3201547

<https://www.phoenixcontact.com/us/products/3201547>



## Drawings

Dimensional drawing



# AI 0,75- 8 BU-B - Ferrule



3201547

<https://www.phoenixcontact.com/us/products/3201547>

## Approvals

To download certificates, visit the product detail page: <https://www.phoenixcontact.com/us/products/3201547>



**cULus Listed**

Approval ID: E488001

# AI 0,75- 8 BU-B - Ferrule



3201547

<https://www.phoenixcontact.com/us/products/3201547>

## Classifications

### ECLASS

ECLASS-11.0	27400201
ECLASS-13.0	27400201
ECLASS-12.0	27400201

### ETIM

ETIM 9.0	EC000005
----------	----------

### UNSPSC

UNSPSC 21.0	27121700
-------------	----------

# AI 0,75- 8 BU-B - Ferrule

3201547

<https://www.phoenixcontact.com/us/products/3201547>



## Environmental product compliance

### EU RoHS

Fulfills EU RoHS substance requirements	Yes, No exemptions
---	--------------------

### China RoHS

Environment friendly use period (EFUP)	EFUP-E
	No hazardous substances above the limits

### EU REACH SVHC

REACH candidate substance (CAS No.)	No substance above 0.1 wt%
-------------------------------------	----------------------------

# AI 0,75- 8 BU-B - Ferrule

3201547

<https://www.phoenixcontact.com/us/products/3201547>



## Mandatory accessories

### CF 3000-2,5 - Electrical crimping tool

1205477

<https://www.phoenixcontact.com/us/products/1205477>



Automatic stripping and crimping device, 230 V version, for taped insulated ferrules 0.25 mm<sup>2</sup> ... 2.5 mm<sup>2</sup>, sleeve length 8 mm, incl. 0.5 mm<sup>2</sup> ... 2.5 mm<sup>2</sup> conversion kits

---

### CF 3000-2,5 120V - Electrical crimping tool

1205516

<https://www.phoenixcontact.com/us/products/1205516>



Automatic stripping and crimping device, 120 V version, for taped insulated ferrules 0.25 mm<sup>2</sup> ... 2.5 mm<sup>2</sup>, sleeve length 8 mm, incl. 0.5 mm<sup>2</sup> ... 2.5 mm<sup>2</sup> conversion kits

---

## Accessories



# AI 0,75- 8 BU-B - Ferrule

3201547

<https://www.phoenixcontact.com/us/products/3201547>



## CRIMPFOX CENTRUS 6H - Crimping pliers

1213146

<https://www.phoenixcontact.com/us/products/1213146>



Crimping pliers, for uninsulated and insulated ferrules, DIN 46228 Part 1 and 4, from 0.14 mm<sup>2</sup> ... 6 mm<sup>2</sup>, also for TWIN ferrules up to 2 x 4 mm<sup>2</sup>, automatic cross section adjustment, lateral insertion, equipped with fall protection

---

## CRIMPFOX CENTRUS 10H - Crimping pliers

1213156

<https://www.phoenixcontact.com/us/products/1213156>



Crimping pliers, for uninsulated and insulated ferrules, DIN 46228 Part 1 and 4, from 0.14 mm<sup>2</sup> ... 10 mm<sup>2</sup>, also for TWIN ferrules up to 2 x 4 mm<sup>2</sup>, automatic cross section adjustment, lateral insertion, equipped with fall protection

# AI 0,75- 8 BU-B - Ferrule

3201547

<https://www.phoenixcontact.com/us/products/3201547>



## CRIMPFOX 6H - Crimping pliers

1212046

<https://www.phoenixcontact.com/us/products/1212046>



Crimping pliers, for ferrules without insulating collar according to DIN 46228 Part 1 and ferrules with insulating collar according to DIN 46228 Part 4, 0.14 mm<sup>2</sup> ... 6 mm<sup>2</sup>, unlockable pressure lock, lateral entry

---

## CRIMPFOX 6-M - Crimping pliers

1212720

<https://www.phoenixcontact.com/us/products/1212720>



Crimping pliers, for ferrules without insulating collar according to DIN 46228 Part 1 and ferrules with insulating collar according to DIN 46228 Part 4, 0.25 mm<sup>2</sup> ... 6.0 mm<sup>2</sup>, lateral entry, trapezoidal crimp

# AI 0,75- 8 BU-B - Ferrule

3201547

<https://www.phoenixcontact.com/us/products/3201547>



## CRIMPFOX 6T - Crimping pliers

1212037

<https://www.phoenixcontact.com/us/products/1212037>



Crimping pliers, for ferrules without insulating collar according to DIN 46228 Part 1 and ferrules with insulating collar according to DIN 46228 Part 4, 0.25 mm<sup>2</sup> ... 6 mm<sup>2</sup>, lateral entry, trapezoidal crimp

---

## CRIMPFOX 6S-F - Crimping pliers

1212043

<https://www.phoenixcontact.com/us/products/1212043>



Crimping pliers, for ferrules without insulating collar according to DIN 46228 Part 1 and ferrules with insulating collar according to DIN 46228 Part 4, 0.5 mm<sup>2</sup> ... 6 mm<sup>2</sup>, front entry, square crimp

---

Phoenix Contact 2024 © - all rights reserved  
<https://www.phoenixcontact.com>

Phoenix Contact USA  
586 Fulling Mill Road  
Middletown, PA 17057, United States  
(+717) 944-1300  
[info@phoenixcon.com](mailto:info@phoenixcon.com)