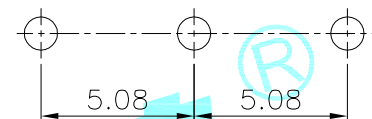
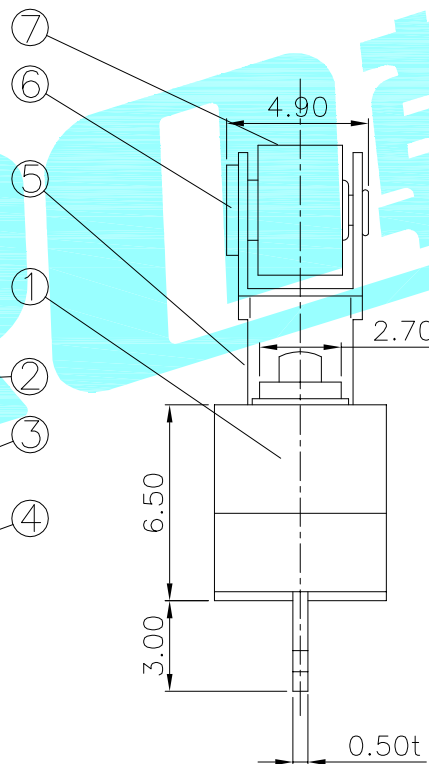
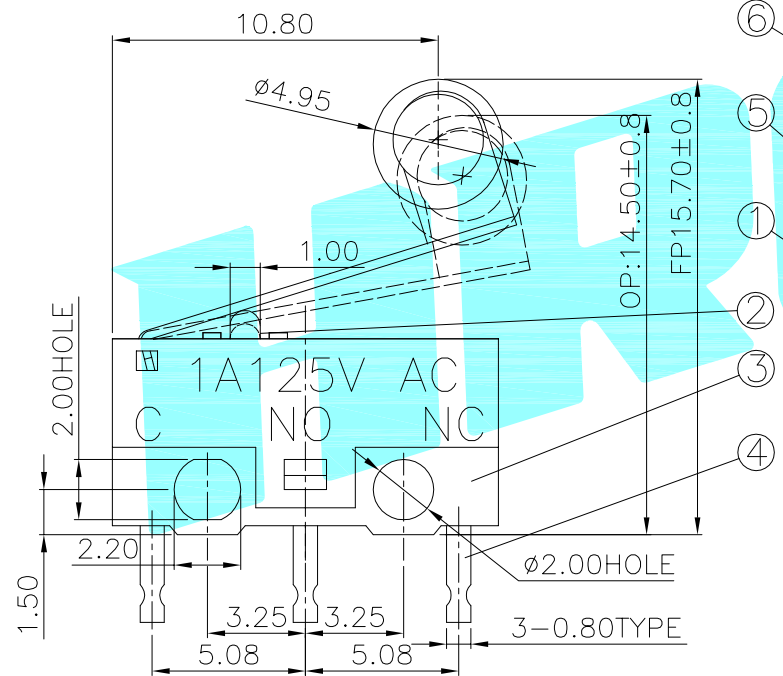


Circuit Diagram



P.C.B layout



NOTE:

- 1. Rating: DC30V 0.1A
- 2. OP: 14.5±0.8
- 3. Operating force: 30±15gf
- 4. Mechanical Life: 3,000,000

ITEM	PART NAME	TER'NO.	QTY.	MATERIAL	FINISHING	REMARK
⑧	Contact	—	1	C1720	Natural	—
⑦	Roller	—	1	POM	Natural	—
⑥	Shaft	—	1	Brass	Natural	—
⑤	Lever	—	1	SUS	Natural	—
④	Terminal	—	3	Brass(0.50t)	Plating silver	—
③	Housing	—	1	PA66	White	—
②	Knob	—	1	PBT	White	—
①	Cover	—	1	PBT	Black	—

APPROVALS		DATE		HRO 韓榮 ELECTRONICS CO.,LTD		
DRAWN	J.X.Zhang	2013/5/30		TITLE:	MICRO SWITCHS	
CHECKED				PART NO.	K9-1267DF	
APPROVALS				TOLERANCES ARE	30~以上 ±0.30 10~30 ±0.20 5~10 ±0.15 ~ 5 ±0.10	ANGLE UNIT: mm SCALE: 1:1 PROJ:
				DRAWING NO.		SHEET 1 OF 1

ECN NO.	REV.	DATE.	DESCRIPTION.	CHANGE.	CHECK.	APPRO.
	A		NEW			